

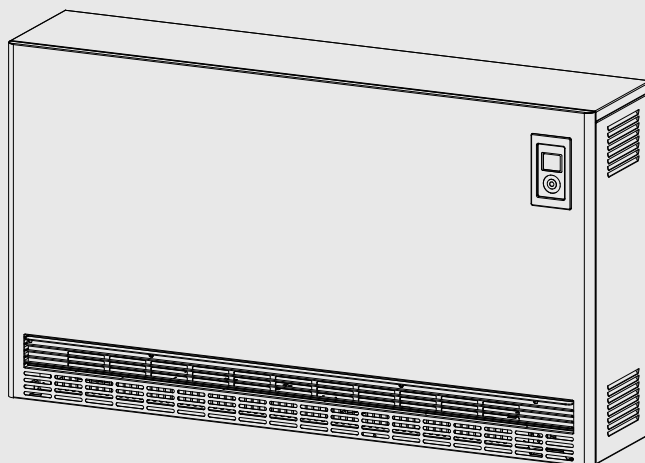
OPERATION AND INSTALLATION
UTILISATION ET INSTALLATION
BEDIENING EN INSTALLATIE
OBŠLUHA A INSTALACE
OBSŁUGA I INSTALACJA
KEZELÉS ÉS TELEPÍTÉS
ЭКСПЛУАТАЦИЯ И УСТАНОВКА

Storage heater | Radiateur à accumulation | Warmteaccumulator | Akumulační kamna |
Piece akumulacyjne | Hő tároló | Аккумуляторы тепла

- » SHF 2000
- » SHF 3000
- » SHF 4000
- » SHF 5000
- » SHF 6000
- » SHF 7000

- » SHS 1200
- » SHS 1800
- » SHS 2400
- » SHS 3000
- » SHS 3600
- » SHS 4200
- » SHS 4800

- » SHL 3500
- » SHL 5000



STIEBEL ELTRON

CONTENTS

SPECIAL INFORMATION

OPERATION

1. General information	4
1.1 Safety instructions	4
1.2 Other symbols in this documentation	4
1.3 Information on the appliance	4
1.4 Units of measurement	4
1.5 Illustrations	4
2. Safety	4
2.1 Intended use	4
2.2 General safety instructions	4
2.3 Test symbols	5
3. Appliance description	5
4. Operation	5
4.1 Programming unit	5
4.2 Heat storage	6
4.3 Heat transfer	7
5. Settings with integral room temperature controller	7
5.1 Standard display	8
5.2 Standard menu	8
5.3 Configuration menu	8
6. Settings with wall mounted room temperature controller	10
6.1 Standard display	10
6.2 Standard menu	10
6.3 Configuration menu	10
7. Cleaning, care and maintenance	10
7.1 Cleaning the fluff filter	11
8. Troubleshooting	11

INSTALLATION

9. Safety	12
9.1 General safety instructions	12
9.2 Instructions, standards and regulations	12
10. Appliance description	12
10.1 Function	12
10.2 Standard delivery	13
10.3 Accessories	13
11. Preparation	13
11.1 Installation location	13
11.2 Minimum clearances	13
12. Installation	13
12.1 Opening the appliance	13
12.2 Adjusting the charge controller	14
12.3 Power supply / connecting cables	14
12.4 Electrical connection	15
12.5 Floorstanding installation	15
12.6 SHS installation versions	16
12.7 Inserting storage blocks	16
12.8 Cleaning the appliance	17
12.9 Closing the appliance	17

13. Configuration menu	18
14. Commissioning	20
14.1 Checks before commissioning	20
14.2 Initial start-up	20
15. Modifying the appliance	20
16. Handover	20
17. Troubleshooting	21
17.1 Fault table	21
17.2 Symbols on the type plate	22
18. Maintenance and cleaning	22
19. Specification	23
19.1 Dimensions and connections	23
19.2 Wiring diagram	25
19.3 Reducing connected load while increasing nominal charge duration	26
19.4 Reducing connected load while maintaining nominal charge duration	26
19.5 Energy consumption data	27
19.6 Data table	28

GUARANTEE

ENVIRONMENT AND RECYCLING

SPECIAL INFORMATION

- Keep these operating and installation instructions safe so that you can refer to them when necessary.
- Keep children under the age of 3 away from the appliance if constant supervision cannot be guaranteed.
- Children from the age of 3 to 7 may switch the appliance on and off, provided they are supervised or have been instructed in the safe operation of the appliance and understand any risks that may result. This is subject to the appliance having been installed as described. Children from the age of 3 to 7 must not regulate the appliance.
- The appliance may be used by children aged 8 and older and persons with reduced physical, sensory or mental capabilities or a lack of experience and know-how, provided that they are supervised or they have been instructed on how to use the appliance safely and have understood the potential risks.
- Children must never play with the appliance. Children must never clean the appliance or perform user maintenance unless they are supervised.
- Parts of the appliance can get very hot and may cause burns. Particular caution is advised when children or vulnerable persons are present.
- Odours may build up during initial charging. Make sure that the room is adequately ventilated.
- Observe the minimum clearances to adjacent surfaces or other combustible materials (see chapter "Installation / Minimum clearances").
- To prevent the appliance from overheating, never cover it with anything.
- Never place anything on the appliance or very close to it. Do not lean any objects against the appliance.
- Never install the appliance directly below a wall socket.
- Observe the nominal charging values in chapter "Specification / Data table".
- Install the appliance in such a way that the control equipment cannot be touched by a person in the bath or shower.
- The connection to the power supply must be in the form of a permanent connection. Ensure the appliance can be separated from the power supply by an isolator that disconnects all poles with at least 3 mm contact separation.
- Secure the appliance as described in chapter "Installation / Installation".
- The installation, commissioning, maintenance and repair of the unit may only be carried out by a qualified contractor in accordance with these instructions.
- Damaged thermal insulation can cause the casing to overheat. Replace any parts of the thermal insulation if you notice any damage or changes.
- Place the unit on a level surface to ensure that it is stable. Avoid uneven floor surfaces, such as those caused by carpets or tiles that partially extend under the unit.

OPERATION

1. General information

The chapters "Special information" and "Operation" are intended for both users and qualified contractors.

The chapter "Installation" is intended for qualified contractors.

**Note**

Read these instructions carefully before using the appliance and retain them for future reference. Pass on the instructions to a new user if required.

1.1 Safety instructions

1.1.1 Structure of safety instructions

**KEYWORD Type of risk**

Here, possible consequences are listed that may result from failure to observe the safety instructions.

► Steps to prevent the risk are listed.

1.1.2 Symbols, type of risk

Symbol	Type of risk
	Injury
	Electrocution
	Burns (burns, scalding)

1.1.3 Keywords

KEYWORD	Meaning
DANGER	Failure to observe this information will result in serious injury or death.
WARNING	Failure to observe this information may result in serious injury or death.
CAUTION	Failure to observe this information may result in non-serious or minor injury.

1.2 Other symbols in this documentation

**Note**

General information is identified by the adjacent symbol. ► Read these texts carefully.

Symbol	Meaning
	Material losses (appliance damage, consequential losses and environmental pollution)
	Appliance disposal

► This symbol indicates that you have to do something. The action you need to take is described step by step.

1.3 Information on the appliance

Symbol	Meaning
	Never cover the appliance

1.4 Units of measurement

**Note**

All measurements are given in mm unless stated otherwise.

1.5 Illustrations

The illustrations in this documentation are intended as example illustrations and may differ from your appliance type.

2. Safety

2.1 Intended use

This appliance is designed to heat living areas.

The appliance is intended for domestic use. It can be used safely by untrained persons. The appliance can also be used in a non-domestic environment, e.g. in a small business, as long as it is used in the same way.

Any other use beyond that described shall be deemed inappropriate. Observation of these instructions and of the instructions for any accessories used is also part of the correct use of this appliance.

2.2 General safety instructions

Observe the following safety instructions and regulations.

- The electrical installation and installation of the appliance must only be carried out by a qualified contractor or by our customer service engineers, in accordance with these instructions.
- The qualified contractor is responsible for adherence to all applicable regulations during installation and commissioning.
- The appliance should only be operated once it is fully installed and all safety equipment has been fitted.



WARNING Injury

- Keep children under the age of 3 away from the appliance if constant supervision cannot be guaranteed.
- Children from the age of 3 to 7 may switch the appliance on and off, provided they are supervised or have been instructed in the safe operation of the appliance and understand any risks that may result. This is subject to the appliance having been installed as described. Children from the age of 3 to 7 must not regulate the appliance.
- The appliance may be used by children aged 8 and older and persons with reduced physical, sensory or mental capabilities or a lack of experience and know-how, provided that they are supervised or they have been instructed on how to use the appliance safely and have understood the potential risks.
- Children must never play with the appliance. Children must never clean the appliance or perform user maintenance unless they are supervised.



WARNING Burns

Never operate this appliance...

- if the distance from adjacent objects or other flammable materials would be less than the minimum permissible distance.
- in rooms where it is at risk of fire or explosion as a result of chemicals, dust, gases or vapours. Ventilate the room sufficiently before heating.
- in the direct proximity of pipes or receptacles that carry or contain flammable or explosive materials.
- if work such as laying tiles, sanding or sealing is being carried out in the installation room.
- if an appliance component is damaged or there is a fault.



WARNING Burns

- Never place any flammable, combustible or insulating objects or materials on the appliance or in direct proximity to it. Do not lean any objects against the appliance. This can cause a build-up of heat, leading to an excessive temperature in the surface of the casing and in such objects.
- Ensure that the air intake and discharge are never blocked.
- Never place any objects between the appliance and the wall.



CAUTION Burns

The surfaces of the appliance casing and the expelled air can become very hot during operation (above 80 °C) and can cause burns. Particular caution is advised when children or vulnerable persons are present.



WARNING Overheating

To prevent the appliance from overheating, never cover it with anything.

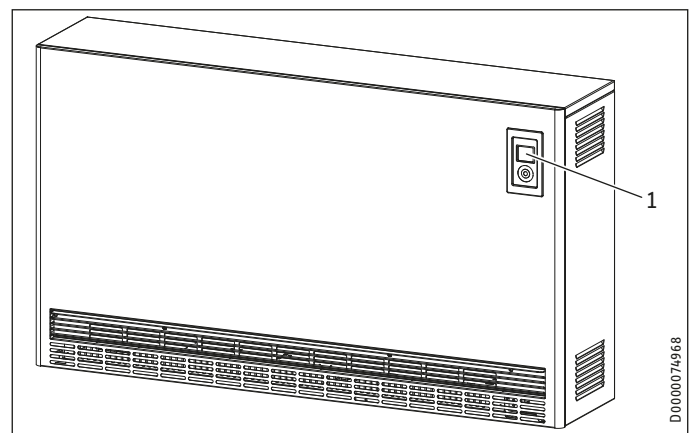
3. Appliance description

This appliance is designed to store electrically generated heat. The electrical heat is generated when the power supply utility enables the supply of cheaper off-peak power.

The times when this supply is enabled depend on the relevant power supply utility. The times when it is enabled are predominantly at night.

Subject to the required room temperature, the stored heat is transferred to the room as hot air via a fan, and partially via the appliance surface.

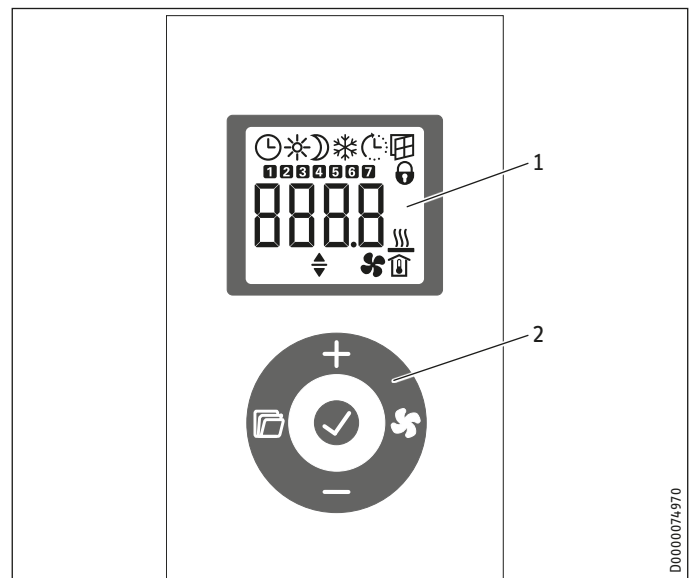
4. Operation



1 Programming unit

4.1 Programming unit

The appliance is operated using the programming unit which is located at the top right of the appliance front.



1 Display

2 User interface






2.3 Test symbols

See type plate on the appliance. The type plate is located on the left side panel of the appliance.

OPERATION

Operation

4.1.1 User interface

Button	Designation	Description
	"Fan" button	Switching fan enabling on and off
	"OK" button	Selection; Confirm settings
	"Menu" button	Call up and exit menu
	"+" button	Call up menu items; Change settings
	"-" button	Call up menu items; Change settings

4.1.2 Display









If no user action occurs for 30 seconds, the backlighting switches off. Press any button to switch the background lighting on again.




Symbols



Note

If heat transfer (discharge) is controlled via a wall mounted room temperature controller, not all symbols will be displayed.

Symbol	Description
	Time display: Indication of the current time or a programmed start time Timer mode: The appliance heats in accordance with the enabled time program.
	Comfort mode: The appliance maintains the set comfort temperature. Standard setting: 21.0 °C. Use this setting for comfortable room temperatures when someone is present.
	Setback mode: The appliance maintains the selected setback temperature. Standard setting: 18.0 °C. Use this setting e.g. at night or when absent for several hours.
	Adaptive start: In timer mode, the heating appliance switching times are adjusted to ensure that, at the programmed start time, the respective set room temperature is already reached. Conditions: The "Adaptive start" function is enabled (see chapter "Settings with integral room temperature controller / Standard menu").
	Window open detection: To avoid unnecessary energy consumption while ventilating the room, the appliance automatically reduces the set room temperature to 7.0 °C for one hour if a window is open. The "Window open detection" symbol flashes. After ventilation, window open detection can be terminated manually by pressing "+" or "OK". The appliance then heats to the set room temperature again. Conditions: Window open detection is enabled (see chapter "Settings with integral room temperature controller / Standard menu").
	Operating lock: To lock or unlock the user interface, press and hold "+" and "-" simultaneously for 5 seconds.
	Enable the booster heater (accessory): If storage heating is insufficient to heat a room, the booster heater will provide additional heat.
	Room temperature display

Symbol	Description
	Fan enabled: If the room temperature falls below the set room temperature, the fan switches on and delivers heated air to the room until the set temperature has been reached.
	Editable parameter: The parameter shown can be changed using "+" and "-".
	Days of the week: 1 = Monday, 2 = Tuesday ... 7 = Sunday

4.2 Heat storage

The degree of heat storage (charge) is set via the charge controller.

The settings you have to make via the charge controller depend on whether you use an appliance with or without a central weather-compensated charge control system.

The weather-compensated charge control system is located in the control panel.

4.2.1 Appliances with a weather-compensated charge control system

- ▶ Press the "Menu" button to open the charge level reducer in the standard menu (see chapter "Settings with integral room temperature controller / Standard menu").
- ▶ Press "OK". Once the "Editable parameter" symbol appears, set the charge level reducer to 100 % with the "+" and "-" buttons.



Note

If heat transfer (discharge) is controlled by a wall mounted room temperature controller, adjust the charge level reducer on the standard display with the "+" and "-" buttons.

The weather-compensated charge control system ensures the correct charge level.



Note

Observe the instructions of the charge control system or group control unit.

For separate control of individual appliances, you can also manually adjust the charge volume via the charge level reducer.

If you set the charge level reducer to 0 %, no charging takes place.

4.2.2 Appliances without a weather-compensated charge control system

You have the following two options for charging without weather-compensated charge control:

Charge control via the charge level reducer

The charge volume is set by means of the charge level reducer.

- ▶ Press the "Menu" button to open the charge level reducer in the standard menu (see chapter "Settings with integral room temperature controller / Standard menu").
- ▶ Press "OK". Once the "Editable parameter" symbol appears, adjust the charge level reducer with the "+" and "-" buttons.

**Note**

If heat transfer (discharge) is controlled by a wall mounted room temperature controller, adjust the charge level reducer on the standard display with the "+" and "-" buttons.

In this respect, the following standard values apply:

Value	Charge volume
0 %	No charge (in summer)
30 %	Approx. 1/3 of full charge during shoulder seasons (spring or autumn)
70 %	Approx. 2/3 of full charge on mild winter days
100 %	Full charge on cold winter days

Once you have familiarised yourself with the appliance, you will be able to find the correct setting as appropriate.

Room temperature-dependent charge control (C-PLUS TECHNOLOGY)

Room temperature-dependent charge control automatically adjusts the charge volume to the heat demand in the room. The required charge volume is determined subject to the room temperature, fan speed and residual charge of the appliance. The aim is that the amount of heat should still be sufficient to maintain the set room temperature at the end of the day.

**Note**

- The appliance must always have a power supply.
- Charging can be enabled via the power supply utility signal LF (LF signal must be connected) or the internal clock, selectable via parameter P15 in the configuration menu.
- It is essential that fan enabling is always switched on.
- A charge of 60 % is achieved during commissioning and if the power supply is interrupted for least 8 hours.
- Room temperature-dependent charge control is dependent on the conditions in the room. Sunlight and unfavourable weather conditions may have an effect on the charge volume.
- It may take a few days to determine the optimum charge volume.
- If the appliance has been in setback mode for a longer period of time (e.g. because the user has been away from home), comfort mode will take 1-2 days to reach its set level.
- If heat transfer (discharge) is controlled via a wall mounted room temperature controller, there may be a reduction in comfort. The appliance lacks information about the room temperature. We recommend using the integral room temperature controller.

If the room is always too warm in the evenings, you can use the charge level reducer to lower the energy level in the appliance.

**Note**

With room temperature-dependent charge control, the function of the charge level reducer differs significantly from that described in chapter "Heat storage / Charge control via the charge level reducer". Charging can also take place with a setting of 0 %.

- ▶ Press the "Menu" button to open the charge level reducer in the standard menu (see chapter "Settings with integral room temperature controller / Standard menu").
- ▶ Press "OK". Once the "Editable parameter" symbol appears, adjust the charge level reducer with the "+" and "-" buttons.

When the room no longer needs any heating energy, the charge volume is gradually reduced to zero. The appliance does not start charging again until heating energy is required in the room again.

4.3 Heat transfer

Heat transfer (discharge) is controlled either by the room temperature controller built into the appliance or by a wall mounted 2-point room temperature controller (see chapter "Accessories").

The room temperature controller automatically regulates heat transfer via the fan so that the set room temperature is maintained. Fan enabling must be switched on for the fan to run.

**Note**

If you are away for several days during the heating season, it makes sense to set a reduced room temperature, e.g. 10 °C. This setting prevents the room temperature from falling too low (frost protection).

4.3.1 Switching fan enabling on and off

- ▶ To switch fan enabling on or off, press the "Fan" button. If fan enabling is switched on, the fan symbol appears on the display.

**Note**

With room temperature-dependent charge control, fan enabling must always be switched on.

5. Settings with integral room temperature controller

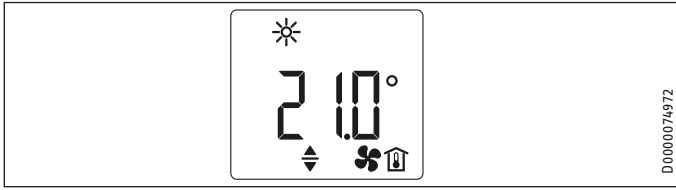
All settings are retained in the event of an interruption to the power supply. This appliance is equipped with a power reserve that ensures the day of the week and the time are saved for several hours.

**Note**

If the power supply has been interrupted for more than 8 hours, you will be prompted to set the day and time once the power is restored. "- :- -" flashes on the display. If the operating lock is activated, press "+" and "-" simultaneously for 5 seconds to unlock the user interface.

Settings with integral room temperature controller

5.1 Standard display



The standard display is continuously displayed. If no user action is performed for longer than 30 seconds while in the menu, the device automatically switches to the standard display.

The default display shows the current set room temperature as well as the "Editable parameter" symbol. You can use "+" and "-" to change the set room temperature.

If the set room temperature corresponds to one of the values set for the comfort or setback temperature, the symbol for the corresponding operating mode (comfort mode, setback mode) appears in the menu bar.

The set room temperature can also be changed manually when in timer mode. The changed set room temperature is maintained until the next programmed switching point is reached.

5.2 Standard menu

To access the standard menu, briefly press "Menu". You can now call up the following menu items:

Display	Description
	Adjust the charge level reducer For days when the heat demand is lower, you can adjust the charge volume manually in 10 % increments.
	Select day of the week and time Days of the week: 1 = Monday to 7 = Sunday
	Select comfort temperature The comfort temperature must be set at least 0.5 °C higher than the setback temperature.
	Select setback temperature The setback temperature must be set at least 0.5 °C lower than the comfort temperature.
	Switch "Window open detection" function on and off
	Select time program (Pro1, Pro2, Pro3) or deactivate (off)
	Switch "Adaptive start" function on and off
	Switch booster heater (accessory) on and off Only shown if booster heater is installed and activated.

To change the setting of a menu item, call the relevant menu item up using "+" and "-". Press "OK".

As soon as the "Editable parameter" symbol appears, you can change the setting of the menu item with "+" and "-". Press "OK" to save the setting.

To exit the standard menu, press "Menu". The standard display appears.

5.3 Configuration menu

Display	Description
I1-I2	Actual values
Pro1-Pro3	Time programs
P1-P5	Parameters
CodE	Contractor access

In the configuration menu, you can call up actual values, program time programs for timer mode and set parameters.

To access the configuration menu, press and hold "Menu". After approx. 3 seconds, actual value I1 is displayed.

Use "+" and "-" to switch between the individual actual values, time programs and parameters.

To exit the configuration menu, press "Menu". The standard display appears.

5.3.1 Actual values

The following actual values can be called up:

Display	Description	Unit
I1	Actual room temperature	[°C] [°F]
I2	Relative heating time (The counter can be reset via parameter P5.)	[h]



Note

The counter for relative heating time (I2) counts the charge time in complete hours run. The counter increases when the appliance has been charged for a full hour, even if this is split between shorter periods.

5.3.2 Time programs

There are three time programs available when using the appliance in timer mode. Time programs Pro1 and Pro2 are pre-configured at the factory. Time program Pro3 can be set according to your individual requirements.

Display	Description
Pro1	Time program "Daily" - Repeated: Monday to Sunday
Pro2	Time program "Weekdays" - Repeated: Monday to Friday
Pro3	Time program "User defined" - up to 14 comfort phases, freely configurable



Note

To use timer mode, select the required time program in the standard menu (see chapter "Settings with integral room temperature controller / Standard menu").

**Note**

Ensure the day of the week and the time are set correctly when setting the time programs.

**Note**

The following applies to all time programs (Pro1, Pro2, Pro3):

If the end time is later than 23:59 h, the end time will automatically be moved to the next day of the week. The comfort phase is maintained past midnight and will end on the next day at the set end time.

Time programs Pro1 and Pro2

You can specify the comfort mode start and end times with time programs Pro1 and Pro2. During this time period, the appliance heats to the set comfort temperature. Outside this specified time period, the appliance operates in setback mode. This results in a comfort phase and a setback phase, which are repeated daily (Pro1) or on every working day (Pro2).

These phases are factory-set as follows:

- 08:00 h - 22:00 h: Comfort mode
- 22:00 h - 08:00 h: Setback mode

**Note**

When time program Pro2 is enabled, the appliance operates at weekends exclusively in setback mode.

To adapt time programs Pro1 and Pro2 according to your needs, proceed as follows:

- ▶ In the configuration menu, use "+" and "-" to call up the required time program.
- ▶ Press "OK".
The start time for comfort mode is displayed.
- ▶ Use "+" and "-" to set the required start time.
- ▶ Press "OK".
The end time for comfort mode is displayed.
- ▶ Use "+" and "-" to set the required end time.
- ▶ Press "OK" to save.

Time program Pro3

You can use time program Pro3 to specify up to 14 separate comfort phases which are repeated weekly.

To configure a comfort phase in time program Pro3, proceed as follows:

- ▶ In the configuration menu, use "+" and "-" to call up time program Pro3.
- ▶ Press "OK".
The display shows "3---".
- ▶ Press "OK".
A day of the week or a group of days is displayed.
- ▶ Use "+" and "-" to select the required day or group of days.
- ▶ Press "OK".
The start time for comfort mode is displayed.
- ▶ Use "+" and "-" to set the required start time.

- ▶ Press "OK".
The end time for comfort mode is displayed.
- ▶ Use "+" and "-" to set the required end time.
- ▶ Press "OK".
Comfort phase "3-01" has been configured.
- ▶ To configure a further comfort phase, use "+" and "-" in time program Pro3 to select display "3---". Proceed as describe above.

**Note**

To reset the selected comfort phases, activate parameter P4.

- ▶ Please note that activating parameter P4 resets all time programs (Pro1, Pro2, Pro3) to the factory setting.

5.3.3 Parameters

You can call up the following parameters:

Display	Description	Options
P1	Room temperature offset	±3 °C ±5 °F
P2	Time format	12 h 24 h
P3	Temperature display units	°C °F
P4	Reset time programs (timer mode).	on off
P5	Reset relative heating time	on off

To change the value of a parameter, use "+" and "-" to call up the relevant parameter. Press "OK".

As soon as the "Editable parameter" symbol appears, you can change the parameter value with "+" and "-". Press "OK" to save the selected value.

P1: Room temperature offset

Uneven temperature distribution in the room can result in a difference between displayed actual temperature I1 and the room temperature you measure. To compensate for this difference, a room temperature offset of ±3 °C can be set via parameter P1.

Example: The appliance indicates I1 = 21.0 °C. You have measured a room temperature of 20.0 °C. There is a difference of 1.0 °C.

- ▶ To compensate for the difference, select an offset of P1 = -1.0.

P2: Time format

Parameter P2 allows you to specify whether the time is displayed in the 12 hour or 24 hour format.

P3: Temperature display units

Parameter P3 is used to specify whether the room temperature is displayed in degrees Centigrade [°C] or Fahrenheit [°F].

P4: Reset time programs

Activating parameter P4 resets all time programs to the factory setting.

P5: Reset relative heating time

Activating parameter P5 resets the counter for relative heating time (I2).

Settings with wall mounted room temperature controller

5.3.4 Contractor access

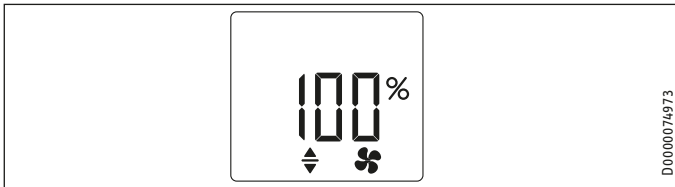
Display	Description
CodE	Contractor access

Note
Some menu items are protected by a code and can only be accessed and adjusted by a qualified contractor.

6. Settings with wall mounted room temperature controller

Note
If heat transfer (discharge) is controlled via a wall mounted room temperature controller, only a very limited number of adjustment options are available to you on the appliance.

6.1 Standard display



The standard display is continuously displayed. If no user action is performed for longer than 30 seconds while in the menu, the device automatically switches to the standard display.

The standard display shows the current setting of the charge level reducer as well as the "Editable parameter" symbol. For days when the heat demand is lower, you can adjust the charge volume manually in 10 % increments using the "+" and "-" buttons.

6.2 Standard menu

Note
You can call up the standard menu only if your appliance is fitted with a booster heater (accessory).

To access the standard menu, briefly press "Menu".

Display	Description
	Switch booster heater (accessory) on or off Even if the wall mounted room temperature controller has a booster heater switch, the booster heater must be switched on in the standard menu.

If you wish to change the setting of the menu item, press the "OK" button.

As soon as the "Editable parameter" symbol appears, you can change the setting of the menu item with "+" and "-". Press "OK" to save the setting.

To exit the standard menu, press "Menu". The standard display appears.

6.3 Configuration menu

Display	Description
I2	Actual value
P5	Parameters
CodE	Contractor access

To access the configuration menu, press and hold "Menu". After approx. 3 seconds, actual value I2 is displayed.

Use "+" and "-" to switch between the individual actual value and the parameter.

To exit the configuration menu, press "Menu". The standard display appears.

6.3.1 Actual value

Display	Description	Unit
I2	Relative heating time (The counter can be reset via parameter P5.)	[h]

Note
The counter for relative heating time (I2) counts the charge time in complete hours run. The counter increases when the appliance has been charged for a full hour, even if this is split between shorter periods.

6.3.2 Parameters

Display	Description	Options
P5	Reset relative heating time Activating the parameter resets the counter for the relative heating time (I2).	on off

If you wish to change the setting of the parameter, press the "OK" button.

As soon as the "Editable parameter" symbol appears, you can adjust the setting of the parameter with the "+" and "-" buttons. Press "OK" to save the setting.

6.3.3 Contractor access

Display	Description
CodE	Contractor access

Note
Some menu items are protected by a code and can only be accessed and adjusted by a qualified contractor.

7. Cleaning, care and maintenance

- Material losses**
- Never spray cleaning spray into the air slot.
 - Ensure that no moisture can enter the appliance.

- If a pale brownish discolouration appears on the appliance casing, wipe it off with a damp cloth.
- Clean the appliance when cold with ordinary cleaning products. Avoid abrasive or corrosive cleaning products.

OPERATION

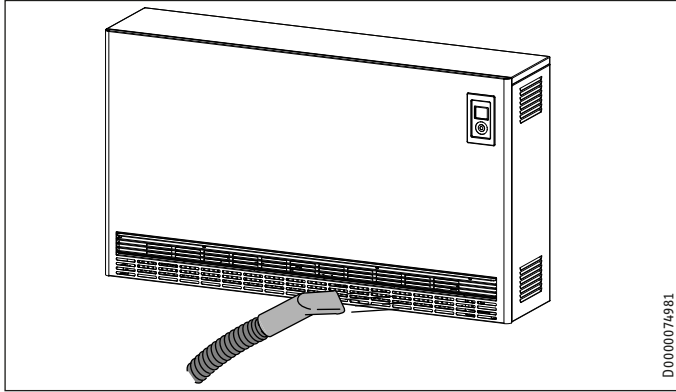
Troubleshooting

7.1 Cleaning the fluff filter



Note

Clean the fluff filter behind the air intake regularly. This will ensure trouble-free discharging of the appliance. If a fluff filter is added, switch OFF the fan.



► Clean the fluff filter behind the air intake with a vacuum cleaner.

8. Troubleshooting

Problem	Cause	Remedy
The appliance does not heat up.	The charge was not set or was set too low.	Set a higher charge level.
	No power supply.	Check the fuse/MCB and the RCD in the domestic distribution board.
The appliance does not heat up with room temperature-dependent charge control.	The temperature has been set too low on the appliance.	Check the selected room temperature. Adjust if necessary.
	Fan enabling is turned off.	Switch fan enabling on.
Room does not get warm enough although the appliance is hot.	Overheating. High limit safety cut-out limits heating output.	Eliminate the cause (dirt or obstructions at the air intake or discharge). Observe minimum clearances.
	The temperature has been set too low on the appliance.	Check the selected room temperature. Adjust if necessary.
	Fan enabling is turned off.	Switch fan enabling on.
	Heat demand of the room is higher than the appliance output.	Remedy heat losses (Close windows and doors. Avoid constant venting.)
The heat transfer of the appliance is too high even in mild weather.	The setting at the charge control system and/or charge controller is incorrect.	Adjust the settings.
The room gets too hot.	Appliance temperature is set too high.	Check the selected room temperature. Adjust if necessary.
The room is always too warm in the evenings with room temperature-dependent charge control.	The energy level in the appliance is too high.	Use the charge level reducer to lower the energy level in the appliance.
Appliance does not discharge.	The fluff filter is clogged.	See chapter "Cleaning, care and maintenance".

Problem	Cause	Remedy
Window open detection does not respond.	Appliance does not detect a pronounced temperature drop when venting. (Window open detection requires a previously stable room temperature.)	Wait a while after making settings on the appliance, until the room temperature has fully stabilised.
	Window open detection is not enabled.	Avoid obstructions to air changes between appliance and indoor air. Stop the fan for the ventilation period. Switch on window open detection in the standard menu.
"Adaptive start" function does not work as required.	This function is only effective in timer mode.	Use the timer mode for optimised heating convenience.
	Severely fluctuating room temperature or the appliance learning procedure has not been completed.	Wait a few days for the behaviour to stabilise.
The display shows "E1", "E2" or "E3".	"Adaptive start" function is not enabled.	Switch on the "Adaptive start" function in the standard menu.
	Internal fault detected.	Notify the qualified contractor.



Note

Changes or removal of faults at the charge control system only become apparent after renewed charging.

If you cannot remedy the fault, contact your qualified contractor. To facilitate and speed up your request, provide the number from the type plate (000000-0000-000000).

INSTALLATION

9. Safety

Only a qualified contractor should carry out installation, commissioning, maintenance and repair of the appliance.



WARNING Electrocutation
The supplied safety label in the language of the respective country must be affixed over the safety label reading "Achtung - Fernsteuerung! (Caution - remote control!)" on the angled panel of the mains terminal.

9.1 General safety instructions

We guarantee trouble-free function and operational reliability only if original accessories and spare parts intended for the appliance are used.

9.2 Instructions, standards and regulations



WARNING Electrocutation
Carry out all electrical connection and installation work in accordance with relevant regulations.



WARNING Electrocutation
The connection to the power supply must be in the form of a permanent connection. Ensure the appliance can be separated from the power supply by an isolator that disconnects all poles with at least 3 mm contact separation.



Material losses
Observe the type plate. The specified voltage must match the mains voltage. Design all materials in accordance with the rated consumption of the appliances.



Material losses
Secure the appliance to the wall or floor in such a way as to ensure stability.



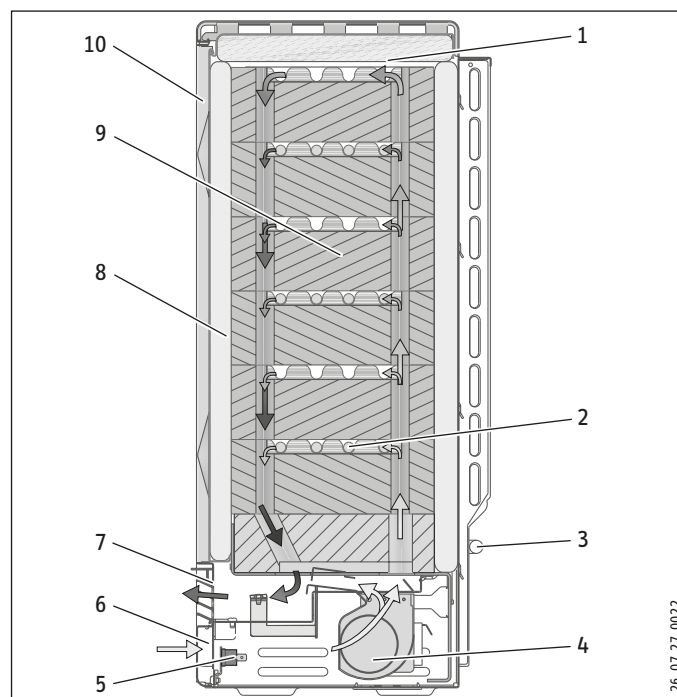
Material losses

- Never install the appliance directly below a wall socket.
- Ensure that the power cable is not in contact with any appliance components.



Note
Observe all applicable national and regional regulations and instructions.

10. Appliance description



- 1 Cover panel
- 2 Heating element
- 3 Room temperature sensor
- 4 Fan (M1)
- 5 Protective temperature controller (N5)
- 6 Air intake
- 7 Air discharge
- 8 Insulation
- 9 Storage blocks
- 10 Front panel and inner front panel

10.1 Function

The storage blocks are heated via the heating elements between the rows of storage blocks. The charge can be adjusted with the charge controller. The start and duration of the charge time are set by the local power supply utility (PSU).

Two integral protective temperature controllers and a high limit safety cut-out prevent the appliance overheating. The protective temperature controllers switch back on automatically but the high limit safety cut-out must be switched back on by pressing the button in its centre after the cause of the fault has been rectified.

The stored heat is transferred via a fan, and partially also via the appliance surface. For this, indoor air is drawn in by the fan through the air intake and released through the air ducts in the storage blocks, which heat it.

Before the hot air produced in this way is released via the air discharge grille, it is mixed with cooler indoor air via two mixing air dampers, so the expelled air does not exceed the highest permissible temperature. The position of the mixing air damper, and thus the mixing ratio of the air, is regulated via a bi-metal controller.

10.2 Standard delivery

The following are delivered with the appliance:

- Storage blocks
- 2 wall brackets only for SHS

10.3 Accessories

- 2-point room temperature controller (discharge controller)
- Booster heater
- DC Control Input assembly (DC control signal)
- Single-phase connection kit
- ZK dual circuit kit*
- Vario brackets
- Support bracket*

* Only for SHS

11. Preparation



Note

There must be continuous voltage at terminals L and N on terminal strip X2.



Note

If the appliance is connected to an automatic charge control system, the charge control system for electronic charge controllers must be set without voltage correction.

11.1 Installation location



WARNING Burns

- Ensure that the mounting wall is resistant to temperatures up to at least 85 °C and the floor is resistant to temperatures up to at least 80 °C.
- Maintain the minimum clearances to adjacent objects.



Note

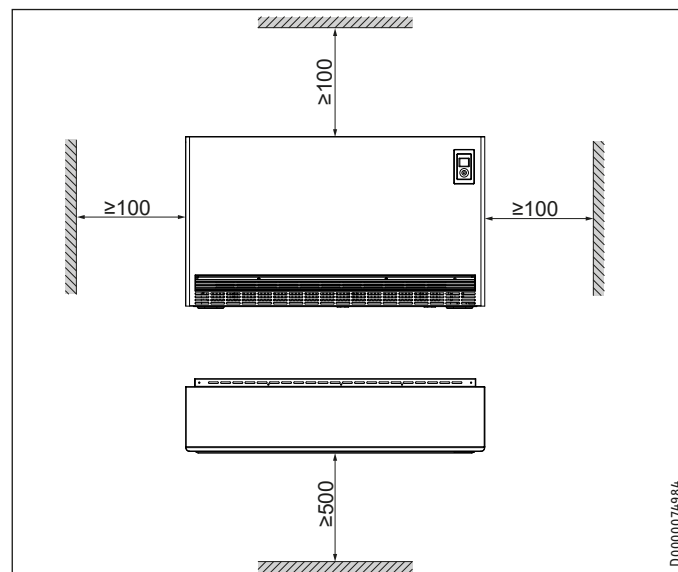
If the appliance is installed in rooms where flue gas, oil or petrol vapours occur or where work involves solvents and chemicals, the operation of the appliance can result in long lasting odours or contamination of the appliance.



Material losses

The appliance must be installed flush against the wall.

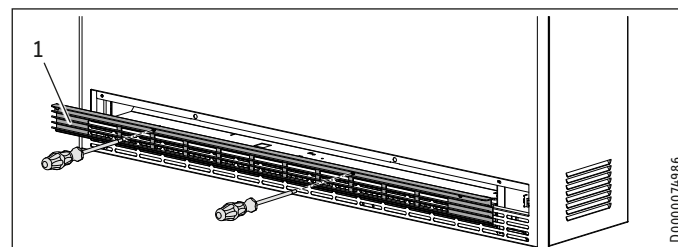
11.2 Minimum clearances



- Ensure that the hot air can escape from the appliance without obstruction.

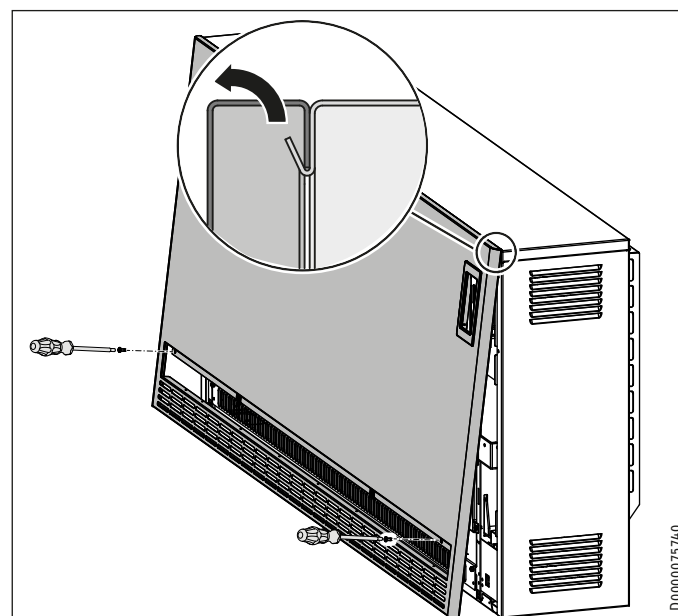
12. Installation

12.1 Opening the appliance



- 1 Air discharge grille

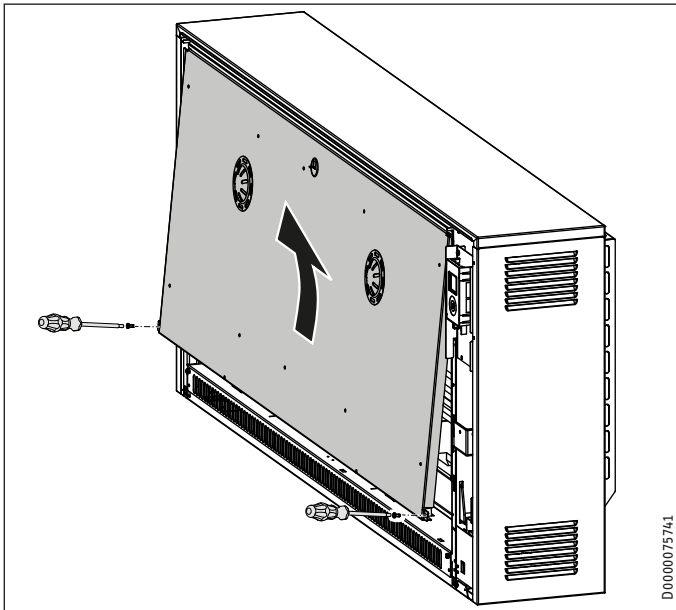
- Undo the two quarter-turn locks on the air discharge grille and remove it.



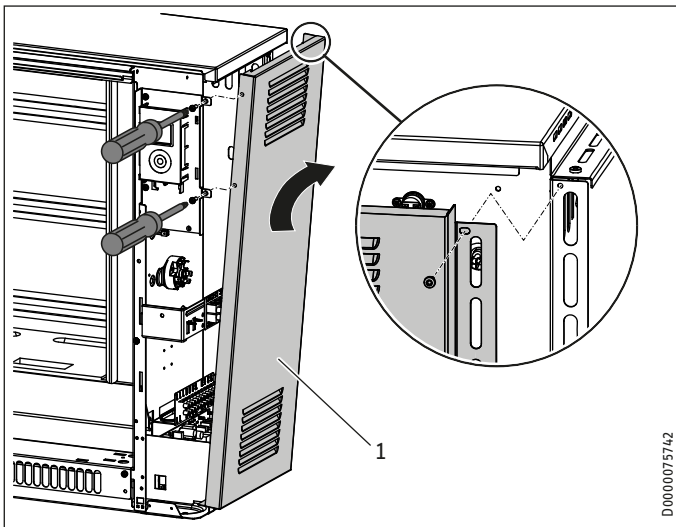
INSTALLATION

Installation

- ▶ Undo the screws in the front panel.
- ▶ Pull the front panel forwards and lift it upwards to remove it.



- ▶ Undo the screws on the inner front panel at the bottom edge.
- ▶ Pull the inner front panel forwards and lift it upwards to remove it.



- 1 R.h. side panel (with loosened screws)
- ▶ Undo the 3 screws at the front and back of the right side panel.
 - ▶ Pull the side panel forwards slightly and tilt it to the side at the top.
 - ▶ Lift the side panel slightly and remove it.

12.2 Adjusting the charge controller



Note Observe the following information. After installation, these settings can be made, in some cases to a limited extent, subject to the installation location and version.

12.2.1 Reducing the connected load

The appliance connection is fully wired at the factory to the maximum output (100 %).

You can reduce the connected load by 3 output stages by moving or removing jumpers at the terminals (see chapter "Specification / Reducing the connected load").

Size the cross-sections and fuse according to the maximum possible output of the appliance.



Note Observe the requirements of the local power supply utility.

12.2.2 Output matching according to an increased nominal charge duration

If jumpers at the terminals are moved or removed, the connected load can be matched to the nominal charge duration specified by the power supply utility. The storage heater is sized at the factory to the following nominal charge duration:

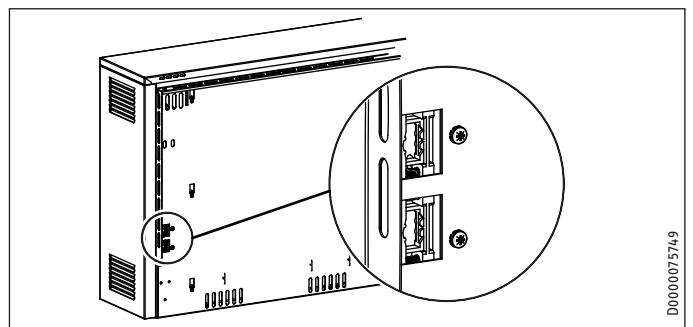
- SHF | SHS 8 hours
- SHL 7 hours

Observe the details specified in chapter "Specification / Output matching".

12.2.3 Connection to DC control signal

If a charge control system with a DC control signal (DC voltage 0.91 V - 1.43 V) is installed on the system, you will need the DC Control Input assembly (accessory). The DC control signal must be connected to terminals A1/Z1 "DC + (positive)" and A2/Z2 "DC - (negative)" on terminal strip X3. Observe the polarity.

12.3 Power supply / connecting cables



WARNING Electrocutation

▶ Before any work on the appliance, isolate the connecting cables in the control panel.

- ▶ Route the power cables and connecting cables for the charge and discharge controllers into the appliance through the apertures in the back panel and connect them (see chapter "Specification / Wiring diagram").
- ▶ Remove approx. 260 mm of insulation from the connecting cables and trim as required. The cables must not be placed next to the air slot in the side panel.

12.4 Electrical connection

12.4.1 General information

WARNING Electrocutation
If the appliance is connected to an automatic charge control system, there may be voltage at terminals A1/Z1 and A2/Z2 even if the fuses have been removed.

WARNING Electrocutation
The supplied safety label in the language of the respective country must be affixed over the safety label reading "Achtung - Fernsteuerung! (Caution - remote control!)" on the angled panel of the mains terminal.

The electrical connection of the heating elements is made with 3/N/PE~400 V. With the single phase connection kit (accessory), a connection with 1/N/PE~230 V is also possible.

The connection is possible with NYM. The number of power cables, conductors and cross-sections depends on the connected load of the appliance and the type of power connection, as well as on special regulations from the power supply utility.

Observe the wiring diagram and output stages (see chapter "Specification").

12.4.2 Connecting the appliance

WARNING Electrocutation
Ensure the earth conductor is properly connected.

WARNING Electrocutation
Connection cables must not be damaged, removed or pulled out of the appliance.
▶ Route the connecting cables accordingly.

Note
There must be continuous voltage at terminals L and N on terminal strip X2.

- ▶ Apply strain relief to the power cables and connect them according to the wiring diagram inside the appliance (on the inside of the r.h. side panel), or according to the wiring diagram in chapter "Specification".

If the angled panel located in the wiring chamber interior for mounting the mains terminals is not easily accessible because the side clearance is inadequate, you can pivot it forwards after undoing the retaining screw.

12.4.3 Control without heating contactor

If a heating contactor is not installed (may be required by the power supply utility), the function in the storage heater's PCB can be used.

- ▶ For this, connect either the LF and N power-OFF signals or the SH and N signals of the relevant charge control system directly to the LF/SH and N terminals of the storage heater.
- ▶ In the configuration menu, set parameter P15 to 1 (see chapter "Installation / Configuration menu").

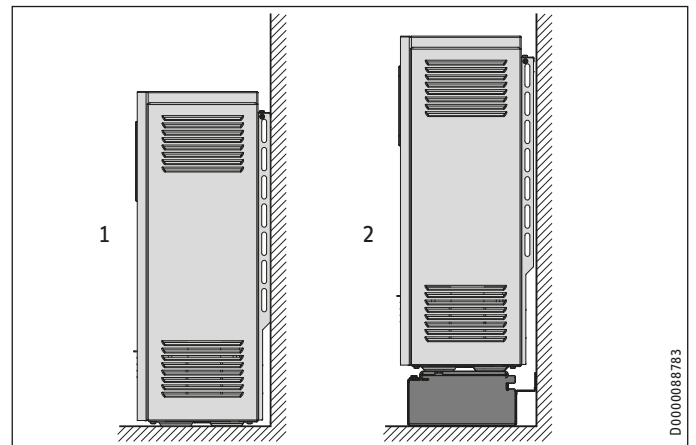
The heating elements in the appliance are not switched on until the LF from the power supply utility has been enabled and the electronic charge controller has enabled charging.

12.4.4 Appliance type plate

Note
Document the connected load and the nominal charge duration.

- ▶ Mark the relevant boxes on the type plate.

12.5 Floorstanding installation



- 1 Floorstanding installation
- 2 Installation with floor brackets

The surface on which the appliance is installed must be level and offer sufficient load bearing capacity. For details regarding the appliance weight, see chapter "Specification / Data table". If in doubt, consult a qualified structural engineer.

The appliances may be installed on any conventional floor, although PVC, parquet and long- or deep-pile carpets may be affected by pressure and heat. In such cases, heat-resistant support plates must be used (to be provided on site).

The stability of the appliance must be ensured by fixing it to the wall or floor.

Wall mounting

For wall mounting on a sufficiently load bearing wall, there is a hole in the appliance back panel near the wiring chamber.

- ▶ Secure the appliance with a suitable screw to the wall to prevent it from tipping over.

Floor mounting

Alternatively, you can secure the appliance to the floor through four holes (Ø 9 mm) in the feet.

- ▶ Remove the air discharge grille, the front panel and the air routing assembly (see chapter "Installation / Opening the appliance" and "Cleaning the appliance").
- ▶ Secure the appliance to the floor with suitable screws.

INSTALLATION

Installation

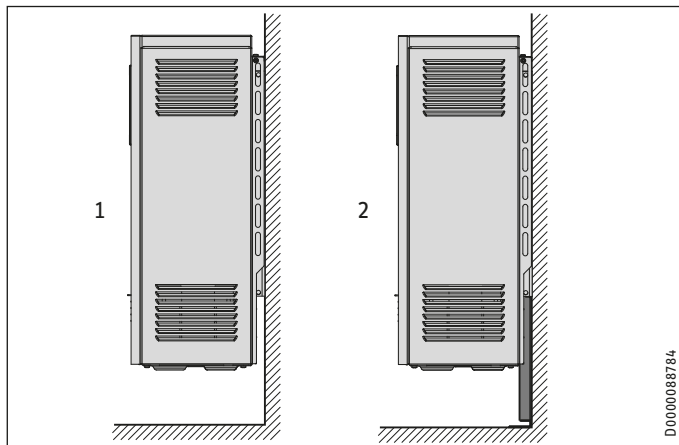
12.5.1 Installation with floor brackets

The Vario T-support (accessory) allows the appliance to be installed with ground clearance.

If the appliance can be mounted on a wall with sufficient load bearing capacity, the support only needs to be secured below the appliance feet.

If no suitable mounting wall is available, secure the support to the floor and the appliance feet.

12.6 SHS installation versions



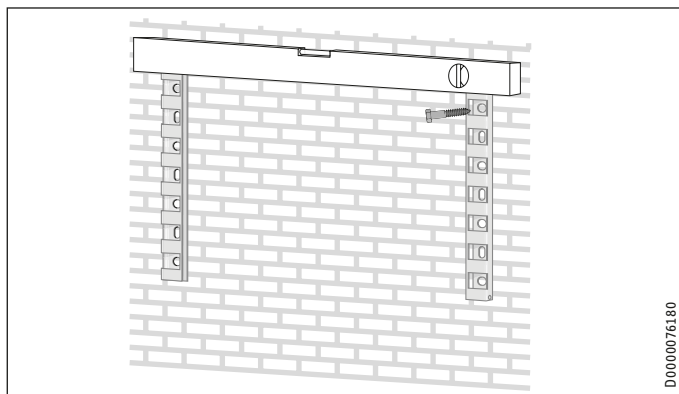
- 1 Installation with wall mounting bracket on sufficiently load bearing wall (SHS 1200-3600)
- 2 Installation with insufficiently load bearing wall with support bracket

12.6.1 Securing the appliance with ground clearance using wall mounting brackets

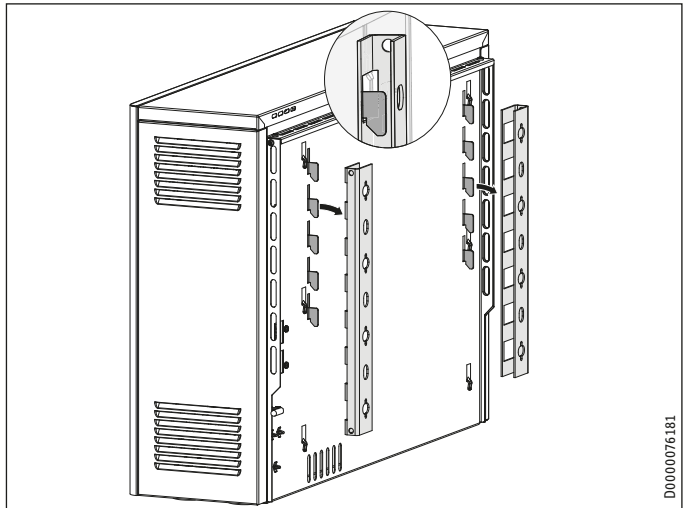
With this type of installation, observe the following:

If a sufficiently load bearing wall is available, the appliance can be fixed to the installation wall using the wall mounting brackets provided. For this, the following applies:

- SHS 1200-3600: The wall mounting bracket can bear the weight of the appliance.
- SHS 4200-4800: The wall mounting bracket must be supported with an additional support bracket (accessory).
- For a wall with a limited load bearing capacity, an additional support bracket is also required for the SHS 1200-3600 appliances (accessory).



- ▶ Unscrew the two wall mounting brackets from the appliance back panel.
- ▶ Secure the wall mounting brackets to the fixing wall, taking the minimum clearances and the dimensions for the hole clearances into account. (For dimensions, see chapters "Minimum clearances" and "Specification / Dimensions and connections").



- ▶ Hook the appliance into the wall mounting brackets.

12.7 Inserting storage blocks



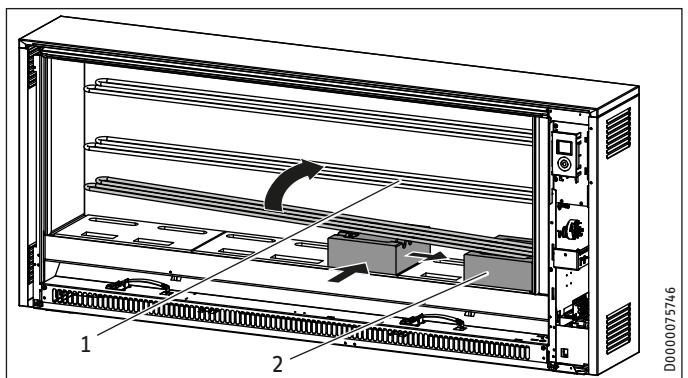
WARNING Burns
Broken insulation can lead to the casing overheating.

- ▶ Check the thermal insulation in the appliance for transport damage.
- ▶ Replace faulty thermal insulation.

The appliance must be completely free of foreign bodies such as parts of the packaging.

- ▶ Remove the cover panel and cardboard inserts from the interior of the appliance.

The storage blocks are delivered in separate packaging. Storage blocks with slight transport damage can be used. This does not impair the function of the appliance.



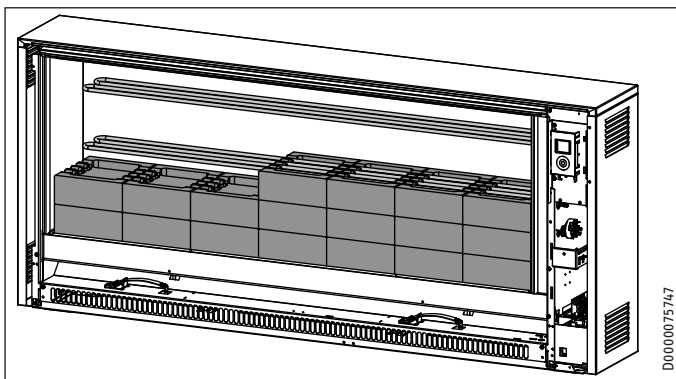
- 1 Heating element
- 2 Storage block

- ▶ To insert the storage blocks, raise the heating elements slightly.

INSTALLATION

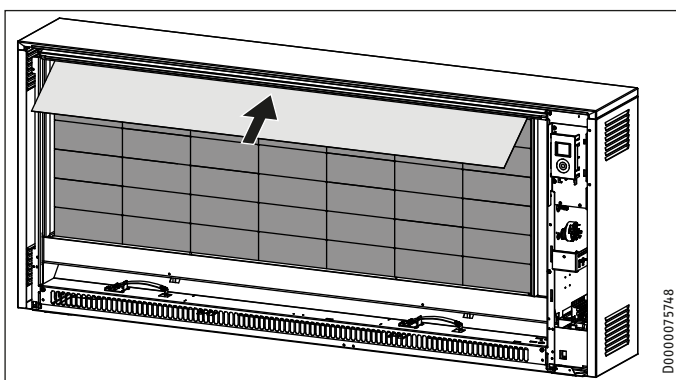
Installation

- ▶ When raising the heating elements, ensure the through holes in the side insulation are not widened by the heating elements.
- ▶ Insert the first storage block, with the heating element cavity pointing upwards, with some clearance to the r.h. thermal insulation.
- ▶ Push the storage block up against the r.h. and back thermal insulation. The long holes form the heating ducts.



D0000075747

- ▶ Insert the other storage blocks in the order shown.

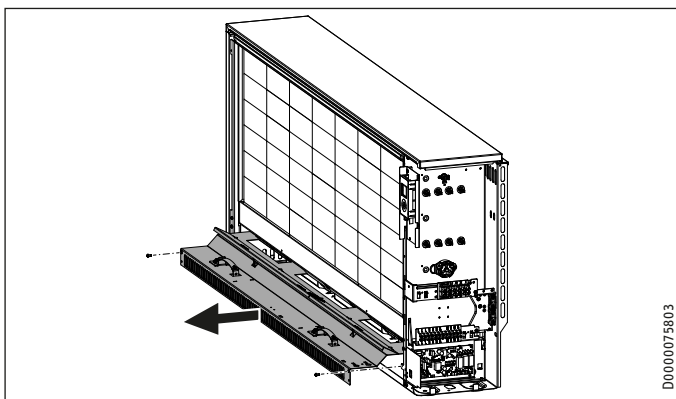


D0000075748

- ▶ Push the cover panel taken from the interior of the appliance over the upper storage blocks.

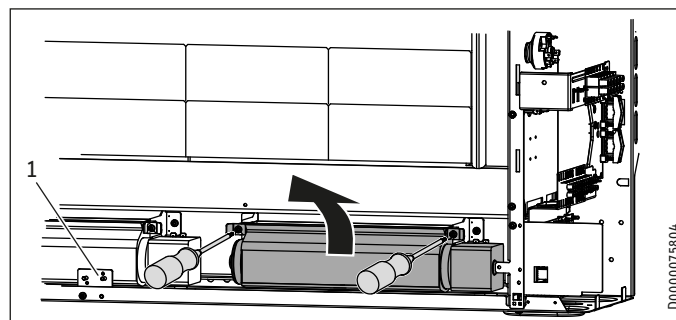
12.8 Cleaning the appliance

- ▶ Clean the appliance after installation and inserting the storage blocks. For this, proceed as follows:



D0000075803

- ▶ Remove the air routing assembly.



D0000075804

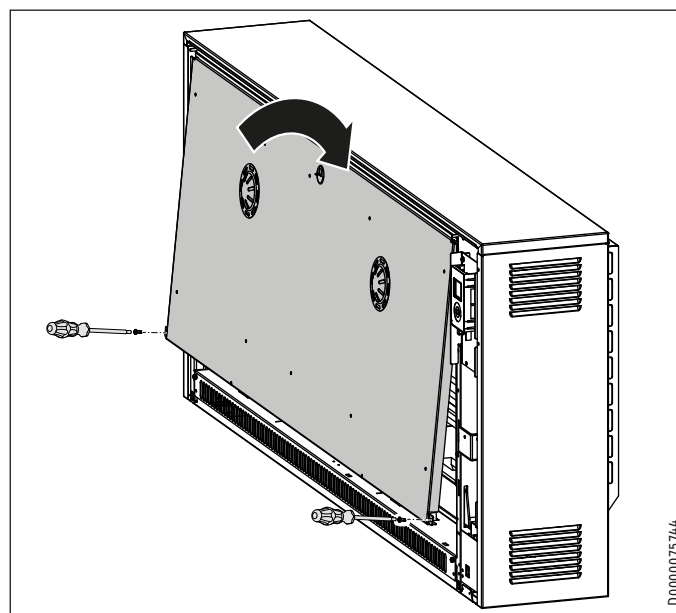
- 1 Protective temperature controller (N5)
- ▶ Lift the fan out. To do this, loosen the screws located at the front on the retaining brackets.
- ▶ Observe the cable routing.

With some appliances, the protective temperature controller (N5) incl. retaining bracket must be unscrewed.

! **Material losses**
When depositing the components you have removed, ensure that the wires are not damaged.

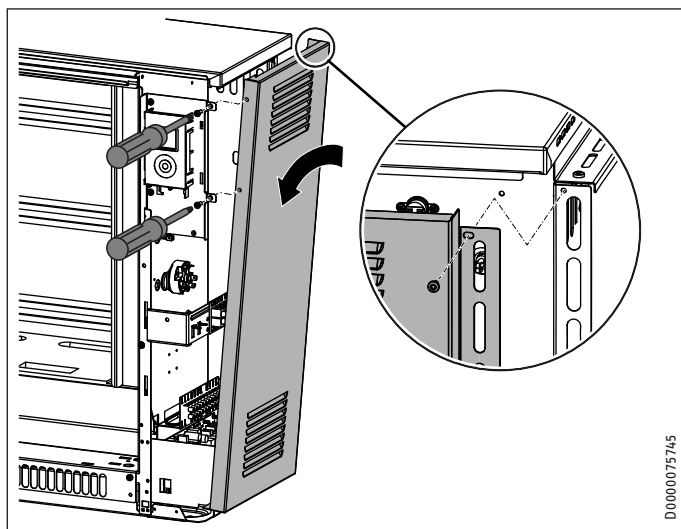
- ▶ Clean the floor plate and fan. Make sure not to damage the fins.
- ▶ Then refit the fan, and if necessary the protective temperature controller and air routing assembly.
- ▶ Observe the correct cable routing.

12.9 Closing the appliance



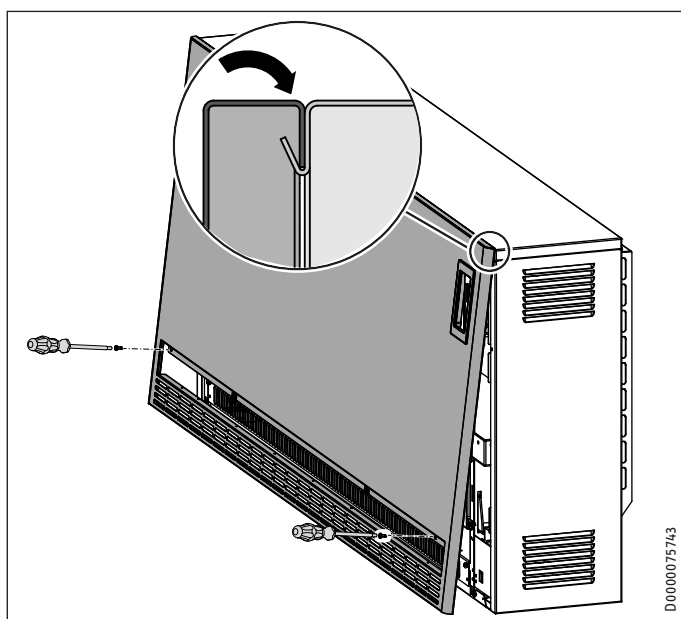
D0000075744

- ▶ Insert the inner front panel again.



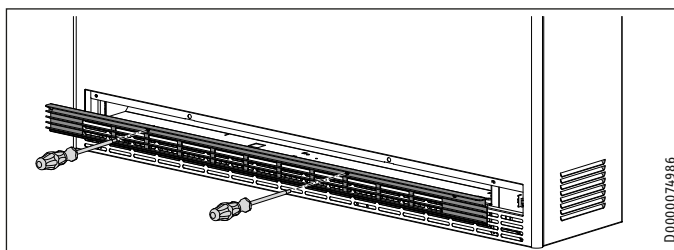
D0000075745

- ▶ Insert the right side panel at the bottom and pivot the top towards the appliance.
- ▶ Hook the top of the side panel into the cover and push it backwards.
Make sure that the side panel rests on the mounting plate of the programming unit.
- ▶ Secure the side panel using the 3 screws with serrated washers.



D0000075743

- ▶ Before installing the front panel, remove the protective film from the programming unit.
- ▶ Insert the front panel again.
- ▶ Secure the front panel using the screws with serrated washers.



D0000074986

- ▶ Tighten the air discharge grille with the two quarter-turn locks.

13. Configuration menu

In the configuration menu, actual values and parameters are divided into two access levels.

Access Level	Description
A0	Actual values and parameters that are enabled for the appliance user and can be accessed without a code. Parameters can be selected by pressing "+" or "-".
A1	Once you have entered a four-digit code, additional actual values and parameters reserved for qualified contractors are enabled. Parameters can only be selected by pressing "+".

To access the configuration menu, press and hold "Menu". After approx. 3 seconds, actual value I1 is displayed.

Enabling actual values and parameters in access level A1

- ▶ Use "+" or "-" to call up the "CodE" menu item.
Access level A0 is displayed, alternating with the menu item.
- ▶ Press "OK".
The code entry field is displayed. The first digit flashes.
- ▶ Use "+" or "-" to enter the code 1000.
After entering each digit, press "OK".

Once the code has been entered correctly, actual values and parameters that were previously inaccessible become visible.

To change the value of a parameter, use the "+" button to call up the relevant parameter. Press "OK".

As soon as the "Editable parameter" symbol appears, you can change the parameter value with "+" and "-". Press "OK" to save the selected value.

If you press the "Menu" button or if no user action is performed within 10 minutes, the appliance automatically switches to the standard display. Parameter blocking is reactivated.

INSTALLATION

Configuration menu

Display access level	Meaning	Options	Description	
I1*	A0	Actual room temperature [°C °F]		
I2	A0	Relative heating time [h]		
I3	A1	Set charge level for next charge [%]		
I4	A1	Actual charge level [%]		
Pro1*	A0	Time program Pro1		
Pro2*	A0	Time program Pro2		
Pro3*	A0	Time program Pro3		
P1*	A0	Room temperature offset	±3 °C ±5 °F	
P2*	A0	Time format	12 h 24 h	
P3*	A0	Temperature display unit	°C °F	
P4*	A0	Reset time programs	on off	
P5	A0	Reset relative heating time	on off	
P6	A1	SL control signal	0	SL input deactivated (factory setting): The fan is controlled via the integral room temperature controller.
			1	SL input activated: The fan is controlled via a wall mounted 2-point room temperature controller.
P7*	A1	Type of fan control	0	Two-point control: The fan is switched on and off by the integral room temperature controller subject to heat demand.
			1	Proportional control (factory setting): The speed of the fan motors is continuously adjusted to the heat demand by the integral room temperature controller.
P8	A1	Reduce switch-off temperature	100 % 90 % 80 % 70 % In conjunction with the variable connected load, four different charging levels can be set for the electronic charge controller. The factory setting is 100 % (no reduction). If a different setting is selected, a reduced charge level results (reduced switch-off temperature of the electronic charge controller). See chapter "Specification / Reducing connected load while maintaining nominal charge duration".	
P12	A1	Booster heater (accessory)	0	If no booster heater is installed in the appliance (factory setting).
			1	The booster heater installed in the appliance is activated.
P14	A1	Source of set charge level	1	The charge volume is controlled via the charge level reducer.
			2	The charge control cable is connected to an AC control signal (factory setting). Duty cycle and fault characteristics adjustable via parameters P17 and P18.
			3	The charge control cable is connected to a DC control signal. Fault characteristics adjustable via parameter P18.
			4	The charge volume is determined via room temperature-dependent charge control. Enable charging selectable via parameter P15 (P15=1 or P15=3).
P15	A1	Source of low tariff enabling	0	Permanently enabled (factory setting): The heating elements are switched on when the heating contactor and the electronic charge controller enable charging.
			1	Enabling via hardware signal LF: The heating elements are not switched on until LF enabling is given by the power supply utility and the electronic charge controller enables charging. The power supply utility signal LF must be connected to terminal LF/SH.
			3	Enabling via internal clock: The heating elements are not switched on until enabling is given via the internal clock and the electronic charge controller enables charging. Enabling is only possible once within 24 hours. The start time for enabling is set via parameter P19 and the charge duration via parameter P20.
P17	A1	Duty cycle	30 % to 80 % The charge control cable must be connected to an AC control signal (alternating voltage signal at terminals A1 and A2). The electronic charge controller in the appliance can be operated by charge control systems with duty cycles of 80 %, 72 %, 68 %, 40 % and 37 %. The factory setting is designed for duty cycles of 80 %. If the appliance is operated with other duty cycles, this parameter must be adjusted to the appropriate percentage.	
P18	A1	Fault characteristics	0	The appliance is set to "negative fault characteristics" (storage heater not charged if charge control system is faulty). Setting only possible when operated by a digital charge control system. With AC charge control systems, an 80 % duty cycle signal is additionally required.
			1	The appliance is set to "positive fault characteristics" (factory setting). If the charge control system is faulty (e.g. control signal failure), the appliance receives a full charge.
P19	A1	Start time for enabling via clock	- :- - Set the start time for charge enabling via the internal clock. The factory setting is 00:00 h. Ensure the day of the week and the time are set correctly when setting the start time.	
P20	A1	Duration of enabling via clock	00:00 h - 22:00 h Set the charge duration for charge enabling via the internal clock. The factory setting is 8 hours. The maximum charge duration is 22 hours.	

* Only displayed if the fan is controlled via the integral room temperature controller.

14. Commissioning

14.1 Checks before commissioning

You can carry out a function check before commissioning. To do so, call up commissioning mode in the configuration menu.

- ▶ To access the configuration menu, press and hold the "Menu" button for about 3 seconds.

You must first enable access level A1, which is reserved for qualified contractors.

- ▶ Use "+" or "-" to call up the "CodE" menu item.
- ▶ Press "OK".
The code entry field is displayed. The first digit flashes.
- ▶ Use "+" or "-" to enter the code 1000. After entering each digit, press "OK".
- ▶ After entering the correct code, call up the actual value I4 with the "+" button.
- ▶ To access commissioning mode, press and hold the "Menu" and "+" buttons simultaneously for about 3 seconds.

An initial charge takes place in commissioning mode. The charge volume is determined by the setting on the charge level reducer. The display shows charging progress as a percentage.



Note

- If the charge level reducer is set to 0 %, no charging takes place.
 - Once the charge volume has been reached, the appliance quits commissioning mode automatically.
-

- ▶ Test the fan function by switching on fan enabling, using the "Fan" button.
- ▶ To quit commissioning mode, press and hold the "Menu" and "-" buttons simultaneously for about 3 seconds.

14.2 Initial start-up

You can start the appliance directly, once installation has been completed.

- ▶ Set the charge via the charge level reducer or the charge control system.

14.2.1 Charging

During initial charging, a smell may develop.

- ▶ Make sure that the room is adequately ventilated. Partially opening windows, for example, results in a 1.5-fold air change.

If you install the appliance in the bedroom, initial charging should not take place while anyone is sleeping there.

15. Modifying the appliance

For modifications, attachments and installations, the instructions provided with the relevant kit are valid.

16. Handover

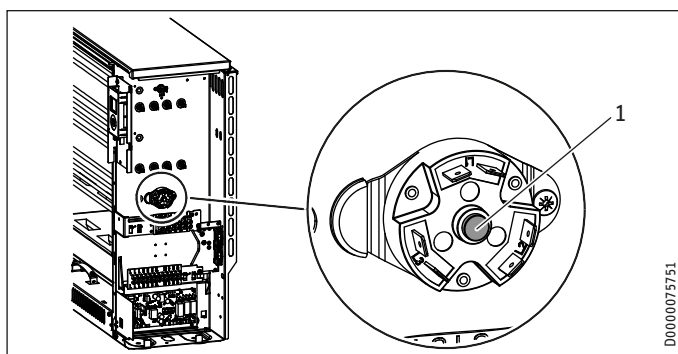
Explain the functions of the appliance to the user. Draw special attention to the safety instructions. Hand over these operating and installation instructions to the user.

17. Troubleshooting

17.1 Fault table

Fault	Cause	Remedy
The appliance does not heat up.	Heating element contactor control is faulty.	Check the heating element contactor control.
	No power supply to the storage heater.	Check the fuse/MCB in the main distribution box.
	No power supply at the charge controller.	Check the power supply. See chapters "Electrical connection" and/or "Specification".
	The high limit safety cut-out (F1) has responded.	Reset the high limit safety cut-out (see chapter "Resetting the high limit safety cut-out").
	The charge control system is incorrectly adjusted. The charge controller is not working properly.	Check the charge control system settings. Check the settings of parameters P14, P15, P17 and P18 in the configuration menu (see chapter "Installation / Settings").
When the outside temperature is mild, the appliance charge is too high (when using a charge control system).	The transmission of the control signal is interrupted.	Check whether the control signal from the charge control system in the storage heater is present.
	The heating curve is incorrectly adjusted.	Check the charge control system settings
	The outside temperature sensor is faulty. The charge controller is transmitting an incorrect control signal.	Test the outside temperature sensor and replace it if required. Check the settings of parameters P17 and P18 in the configuration menu (see chapter "Installation / Settings").
When the outside temperature is mild, the appliance charge is too high (when adjusting the charge manually).	Settings for the charge level reducer in the storage heater.	Check the charge level reducer settings.
The room is always too warm in the evenings with room temperature-dependent charge control.	The energy level in the appliance is too high.	Use the charge level reducer to lower the energy level in the appliance.
Appliance does not discharge.	The fans are not turning.	Check: ... the settings of parameter P6 in the configuration menu (see chapter "Installation / Settings"). ... that fan enable is switched on. ... that fan voltage is present in the storage heater.
	The fluff filter in the air intake is clogged.	Clean the fluff filter. See chapter "Cleaning, care and maintenance". Check whether the air supply is obstructed, e.g. due to thick carpets. Check whether the protective temperature controller (N5) in the air discharge has responded.
The display shows fault code "E1".	The room temperature sensor is faulty.	Test the room temperature sensor and replace it if necessary.
The display shows fault code "E2".	The core temperature sensor is faulty.	Test the core temperature sensor and replace it if necessary.
The display shows fault code "E3".	The DC control signal is corrected to the wrong poles.	Check the DC control signal connection.

17.1.1 Resetting the high limit safety cut-out (F1)



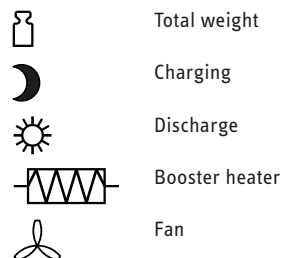
1 Reset button, high limit safety cut-out

Once the cause of the fault has been rectified, the high limit safety cut-out can be reset by pressing the reset button.

17.2 Symbols on the type plate



Symbols on the type plate (example SHF 7000)



18. Maintenance and cleaning

The fan duct behind the air discharge grille must be checked every two years. Small dirt deposits can build up here.



Note

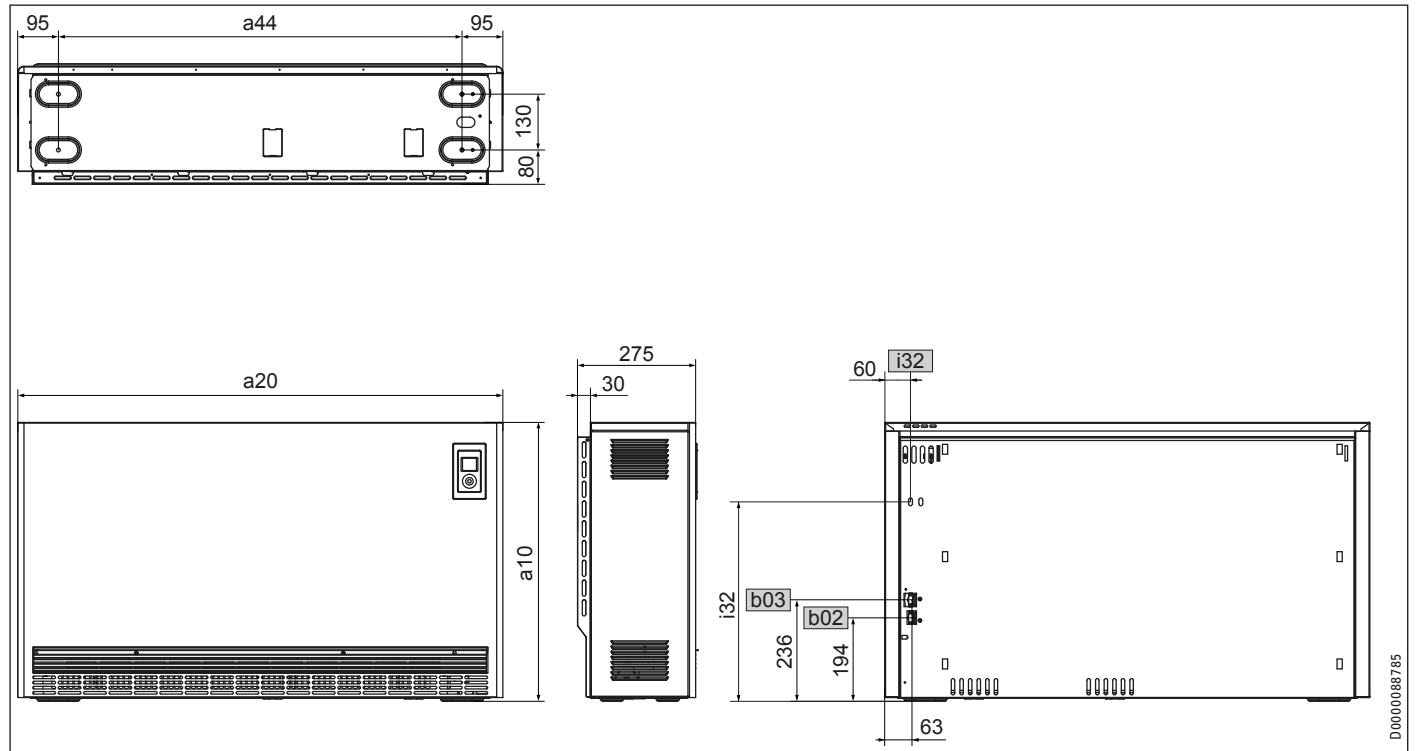
We recommend having the control components checked as part of regular maintenance.

- ▶ Have a qualified contractor check the safety and control components as well as the entire charging and discharging system, no more than 10 years after commissioning.

19. Specification

19.1 Dimensions and connections

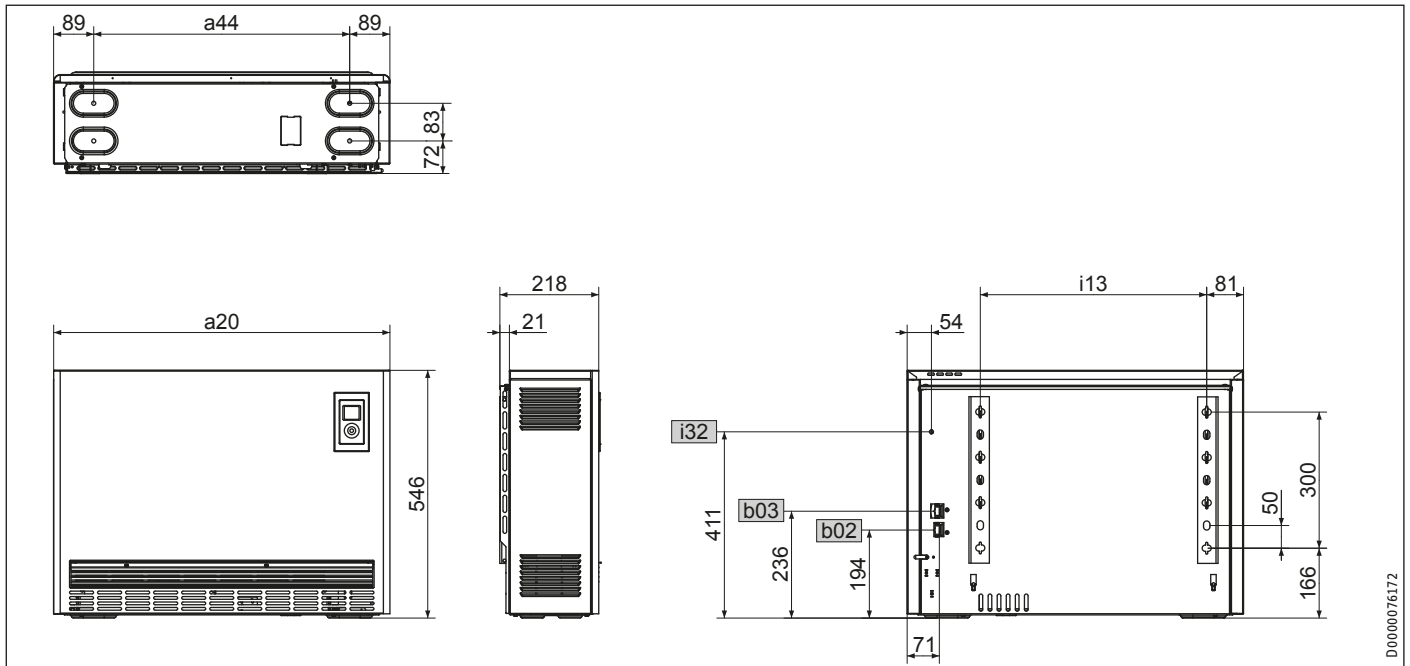
SHF | SHL



			SHF 2000	SHF 3000	SHF 4000	SHF 5000	SHF 6000	SHF 7000	SHL 3500	SHL 5000	
a10	Appliance	Height	mm	650	650	650	650	650	650	490	490
a20	Appliance	Width	mm	605	780	955	1130	1305	1480	1130	1480
a44	Appliance	Clearance adjustable feet	mm	415	590	765	940	1115	1290	940	1290
b02	Entry electrical cables I										
b03	Entry electrical cables II										
i32	Fixing	Height	mm	464	464	464	464	464	464	306	306

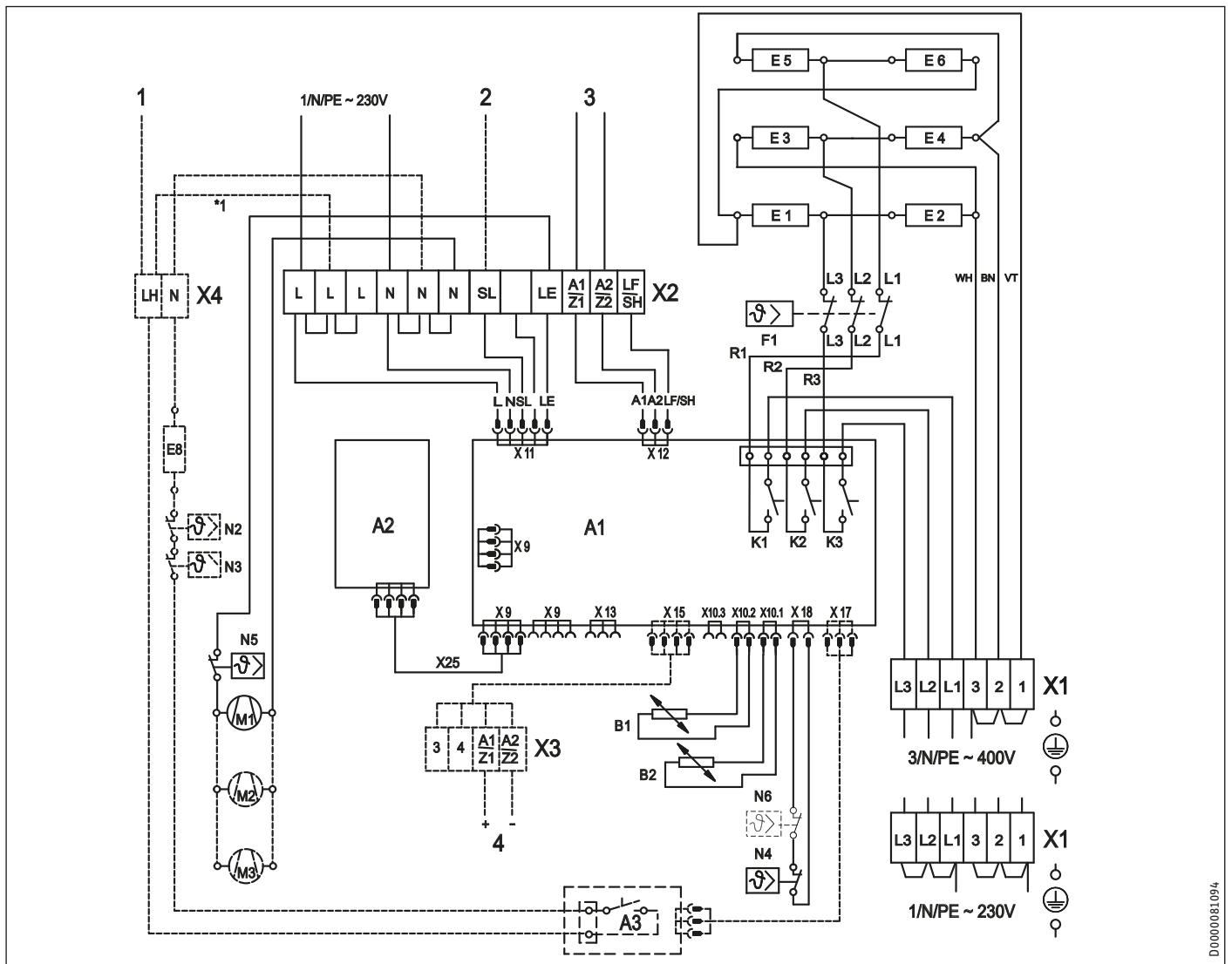
INSTALLATION Specification

SHS



				SHS 1200	SHS 1800	SHS 2400	SHS 3000	SHS 3600	SHS 4200	SHS 4800
a20	Appliance	Width	mm	580	741	902	1063	1224	1385	1546
a44	Appliance	Clearance adjustable feet	mm	402	563	724	885	1046	1207	1368
b03	Entry electrical cables I									
b02	Entry electrical cables II									
i13	Wall mounting bracket	Horizontal hole spacing	mm	337.5	498.5	659.5	820.5	981.5	1142.5	1303.5
i32	Fixing									

19.2 Wiring diagram



Storage component

- A1 Electronic charge/discharge controller
- A2 User interface PCB
- B1 Core sensor - charge
- B2 Room temperature sensor - discharge
- F1 High limit safety cut-out
- E1 - E6 Heating element
- M1 - M3 Storage heater fan
- N4 Temperature limiter - charge
- N5 Protective temperature controller
- N6 Temperature limiter - charging level
only SHF 6000-7000, SHS 3000-4800, SHL 5000
- X25 Internal connecting lead A1 - A2
- X1 Mains terminal
- X2 Terminal

Accessories

(Not part of the standard delivery. Tick the boxes to show the accessories installed.)

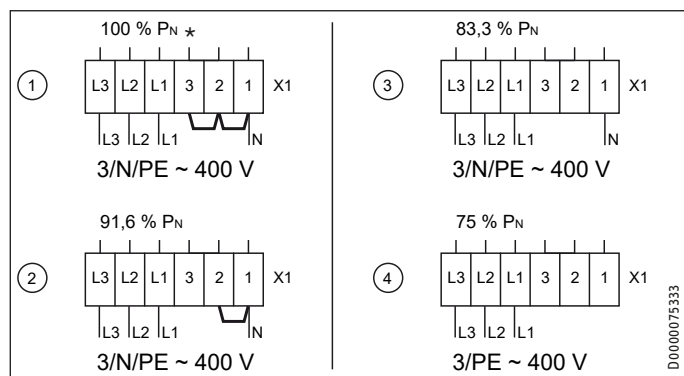
- DC connection**
- X3 Terminal (0.91 - 1.43 V)
- Booster heater** (internally controlled)
*1 / wire LH - L
- Booster heater** (externally controlled)
- A3 Booster heater assembly relay
- E8 Booster heater element
- N2 Temperature controller - booster heater
- N3 Temperature controller - booster heater
- X4 Terminal

Connections

- 1 (LH) Booster heater control external (LH)
- 2 (SL) Fan control external (LE)
- 3 (A1/A2) AC charge control 230 V system
- 4 (A1/A2) DC charge control ELV system

INSTALLATION Specification

19.3 Reducing connected load while increasing nominal charge duration



* Wired in series

SHF | SHS

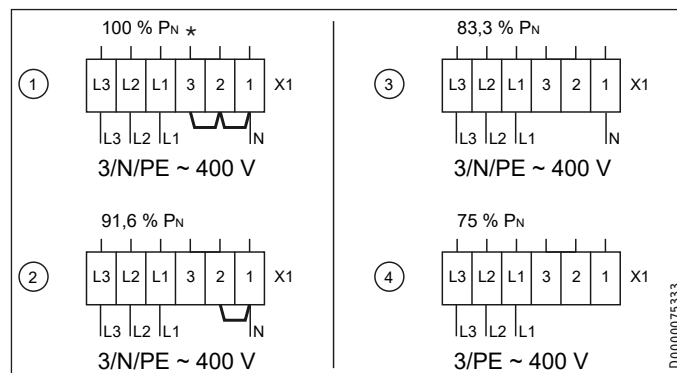
Output versions		①	②	③	④
Connection versions					
Connected loads		100 %	91.6 %	83.3 %	75 %
Nominal charge duration		8 h	9 h	10 h	-
Types					
SHF 2000	kW	2.00	1.83	1.67	1.50
SHF 3000	kW	3.00	2.75	2.50	2.25
SHF 4000	kW	4.00	3.66	3.33	3.00
SHF 5000	kW	5.00	4.58	4.16	3.75
SHF 6000	kW	6.00	5.50	5.00	4.50
SHF 7000	kW	7.00	6.42	5.83	5.25
SHS 1200	kW	1.20	1.10	1.00	0.90
SHS 1800	kW	1.80	1.65	1.50	1.35
SHS 2400	kW	2.40	2.20	2.00	1.80
SHS 3000	kW	3.00	2.76	2.49	2.25
SHS 3600	kW	3.60	3.30	3.00	2.70
SHS 4200	kW	4.20	3.86	3.51	3.15
SHS 4800	kW	4.80	4.40	4.00	3.60

SHL

Output versions		①	②	③	④
Connection versions					
Connected loads		100 %	91.6 %	83.3 %	75 %
Nominal charge duration		7 h	8 h	9 h	10 h
Types					
SHL 3500	kW	3.50	3.21	2.92	2.63
SHL 5000	kW	5.00	4.58	4.16	3.75

19.4 Reducing connected load while maintaining nominal charge duration

- SHL nominal charge duration: 7 hours
- SHF | SHS nominal charge duration: 8 hours



* Wired in series

Output versions		①	②	③	④
Connection versions					
Connected loads		100 %	91.6 %	83.3 %	75 %
Charge levels selectable with parameter P8		100 %	90 %	80 %	70 %

INSTALLATION Specification

19.5 Energy consumption data

The product data complies with EU regulations relating to the directive on the ecodesign of energy related products (ErP).

Product information on electric individual room heaters to regulation (EU) 2015/1188

		SHF 2000	SHF 3000	SHF 4000	SHF 5000	SHF 6000	SHF 7000	SHL 3500	SHL 5000
		200175	200176	200177	200178	200179	200180	200304	200305
Manufacturer		STIEBEL ELTRON	STIEBEL ELTRON	STIEBEL ELTRON	STIEBEL ELTRON	STIEBEL ELTRON	STIEBEL ELTRON	STIEBEL ELTRON	STIEBEL ELTRON
Heating output									
Rated heating output P_{nom}	kW	1.0	1.5	2.0	2.5	3.0	3.5	1.5	2.2
Minimum heating output (standard value) P_{min}	kW	0.0	0.0	0.0	0.0	0.0	0.0	0.0	0.0
Maximum continuous heating output $P_{max,c}$	kW	1.3	2.3	3.0	3.5	4.3	4.9	2.7	3.9

		SHS 1200	SHS 1800	SHS 2400	SHS 3000	SHS 3600	SHS 4200	SHS 4800	
		200181	200182	200183	200184	200185	200186	200187	
Manufacturer		STIEBEL ELTRON	STIEBEL ELTRON	STIEBEL ELTRON	STIEBEL ELTRON	STIEBEL ELTRON	STIEBEL ELTRON	STIEBEL ELTRON	
Heating output									
Rated heating output P_{nom}	kW	0.6	0.9	1.2	1.5	1.8	2.1	2.4	
Minimum heating output (standard value) P_{min}	kW	0.0	0.0	0.0	0.0	0.0	0.0	0.0	
Maximum continuous heating output $P_{max,c}$	kW	1.0	1.5	1.8	2.2	2.6	2.8	3.7	

Auxiliary power consumption									
At rated heating output $e_{l,max}$	kW	0.000	0.000	0.000	0.000	0.000	0.000	0.000	0.000
At minimum heating output $e_{l,min}$	kW	0.000	0.000	0.000	0.000	0.000	0.000	0.000	0.000
In standby $e_{l,sB}$	kW	0.000	0.000	0.000	0.000	0.000	0.000	0.000	0.000
Type of control of heat supply									
Manual control of heat supply with integral thermostat		-	-	-	-	-	-	-	-
Manual control of heat supply with feedback on room and/or outside temperature		-	-	-	-	-	-	-	-
Electronic control of heat supply with feedback on room and/or outside temperature		x	x	x	x	x	x	x	x
Fan-assisted heat transfer		x	x	x	x	x	x	x	x
Type of heating output/room temperature control									
Single stage heating output, no room temperature control		-	-	-	-	-	-	-	-
Two or more manually selectable stages, no room temperature control		-	-	-	-	-	-	-	-
Room temperature control with mechanical thermostat		-	-	-	-	-	-	-	-
With electronic room temperature control		-	-	-	-	-	-	-	-
Electronic room temperature control and time of day control		-	-	-	-	-	-	-	-
Electronic room temperature control and day of week control		x	x	x	x	x	x	x	x
Other control options									
Room temperature control with motion detection		-	-	-	-	-	-	-	-
Room temperature control with window open detection		x	x	x	x	x	x	x	x
With remote control option		-	-	-	-	-	-	-	-
With adaptive control of heating start		x	x	x	x	x	x	x	x
With operating time limitation		-	-	-	-	-	-	-	-
With black bulb sensor		-	-	-	-	-	-	-	-

INSTALLATION Specification

19.6 Data table

SHF | SHL

		SHF 2000	SHF 3000	SHF 4000	SHF 5000	SHF 6000	SHF 7000	SHL 3500	SHL 5000
		200175	200176	200177	200178	200179	200180	200304	200305
Electrical data									
Connected load	W	2000	3000	4000	5000	6000	7000	3500	5000
Rated voltage	V	400	400	400	400	400	400	400	400
Phases		3/N/PE	3/N/PE	3/N/PE	3/N/PE	3/N/PE	3/N/PE	3/N/PE	3/N/PE
Frequency	Hz	50/-	50/-	50/-	50/-	50/-	50/-	50/-	50/-
Rated heat-up	kWh	16	24	32	40	48	56	28	40
Electric booster heater	kW	0.35	0.50	0.80	1.00	1.20	1.50	1.00	1.50
Energy data									
Room heating seasonal efficiency η_s	%	39.5	39.5	39.5	39.5	39.5	39.5	39.5	39.5
Dimensions									
Height	mm	650	650	650	650	650	650	490	490
Width	mm	605	780	955	1130	1305	1480	1130	1480
Depth	mm	275	275	275	275	275	275	275	275
Weights									
Weight	kg	32	40	48	56	64	72	55	71
Weight (incl. blocks)	kg	118	169	220	271	322	373	189	259
Versions									
Colour		Alpine white	Alpine white	Alpine white	Alpine white	Alpine white	Alpine white	Alpine white	Alpine white
Values									
4-stage charge level reduction		100/90/80/70	100/90/80/70	100/90/80/70	100/90/80/70	100/90/80/70	100/90/80/70	100/90/80/70	100/90/80/70
Heat retention capability	%	47	52	55	56	59	60	49	50
Operating noise	dB(A)	30	32	33	34	34	34	34	35
Commercial attributes									
Number of stone packs		6	9	12	15	18	21	10	14

SHS

		SHS 1200	SHS 1800	SHS 2400	SHS 3000	SHS 3600	SHS 4200	SHS 4800	
		200181	200182	200183	200184	200185	200186	200187	
Electrical data									
Connected load	W	1200	1800	2400	3000	3600	4200	4800	
Rated voltage	V	400	400	400	400	400	400	400	
Phases		3/N/PE	3/N/PE	3/N/PE	3/N/PE	3/N/PE	3/N/PE	3/N/PE	
Frequency	Hz	50/-	50/-	50/-	50/-	50/-	50/-	50/-	
Rated heat-up	kWh	9.6	14.4	19.2	24.0	28.8	33.6	38.4	
Electric booster heater	kW	0.35	0.50	0.80	1.00	1.20	1.50	1.70	
Energy data									
Room heating seasonal efficiency η_s	%	39.5	39.5	39.5	39.5	39.5	39.5	39.5	
Dimensions									
Height	mm	546	546	546	546	546	546	546	
Width	mm	580	741	902	1063	1224	1385	1546	
Depth	mm	218	218	218	218	218	218	218	
Weights									
Weight	kg	24	30	37	43	50	57	63	
Weight (incl. blocks)	kg	74	106	138	169	201	233	265	
Versions									
Colour		Alpine white	Alpine white	Alpine white	Alpine white	Alpine white	Alpine white	Alpine white	
Values									
4-stage charge level reduction		100/90/80/70	100/90/80/70	100/90/80/70	100/90/80/70	100/90/80/70	100/90/80/70	100/90/80/70	
Heat retention capability	%	39	44	46	48	49	51	51	
Operating noise	dB(A)	29	28.5	31	32	32	32	32	
Commercial attributes									
Number of stone packs		6	9	12	15	18	21	24	

Guarantee

The guarantee conditions of our German companies do not apply to appliances acquired outside of Germany. In countries where our subsidiaries sell our products a guarantee can only be issued by those subsidiaries. Such guarantee is only granted if the subsidiary has issued its own terms of guarantee. No other guarantee will be granted.

We shall not provide any guarantee for appliances acquired in countries where we have no subsidiary to sell our products. This will not affect warranties issued by any importers.

Environment and recycling

- ▶ Dispose of the appliances and materials after use in accordance with national regulations.



- ▶ If a crossed-out waste bin is pictured on the appliance, take the appliance to your local waste and recycling centre or nearest retail take-back point for reuse and recycling.



This document is made of recyclable paper.

- ▶ Dispose of the document at the end of the appliance's life cycle in accordance with national regulations.

TABLE DES MATIÈRES

REMARQUES PARTICULIÈRES

UTILISATION

1. Remarques générales	32
1.1 Consignes de sécurité	32
1.2 Autres repérages utilisés dans cette documentation	32
1.3 Remarques apposées sur l'appareil	32
1.4 Unités de mesure	32
1.5 Illustrations	32
2. Sécurité	32
2.1 Utilisation conforme	32
2.2 Consignes de sécurité générales	32
2.3 Label de conformité	33
3. Description de l'appareil	33
4. Utilisation	33
4.1 Unité de commande	33
4.2 Accumulation de chaleur	34
4.3 Restitution de la chaleur	35
5. Réglages avec un régulateur de température ambiante intégré	36
5.1 Affichage par défaut	36
5.2 Menu principal	36
5.3 Menu de paramétrage	36
6. Réglages avec un régulateur de température ambiante monté au mur	38
6.1 Affichage par défaut	38
6.2 Menu principal	38
6.3 Menu de paramétrage	39
7. Nettoyage, entretien et maintenance	39
7.1 Nettoyage du filtre à peluches	39
8. Aide au dépannage	39

INSTALLATION

9. Sécurité	40
9.1 Consignes de sécurité générales	40
9.2 Prescriptions, normes et réglementations	40
10. Description de l'appareil	41
10.1 Mode opératoire	41
10.2 Fourniture	41
10.3 Accessoires	41
11. Travaux préparatoires	41
11.1 Lieu d'installation	41
11.2 Distances minimales	42
12. Montage	42
12.1 Ouvrir l'appareil	42
12.2 Réglage de la régulation	42
12.3 Alimentation secteur / Câbles de raccordement	43
12.4 Raccordement électrique	43
12.5 Pose au sol	44
12.6 Variantes de pose du SHS	44
12.7 Mise en place des briques réfractaires	45
12.8 Nettoyage de l'appareil	46
12.9 Fermeture de l'appareil	46

13. Menu de paramétrage	47
14. Mise en service	49
14.1 Contrôles avant la mise en service	49
14.2 Première mise en service	49
15. Transformation de l'appareil	49
16. Remise de l'appareil à l'utilisateur	49
17. Aide au dépannage	50
17.1 Tableau des pannes	50
17.2 Symboles de la plaque signalétique	51
18. Entretien et maintenance	51
19. Données techniques	52
19.1 Cotes et raccordements	52
19.2 Schéma électrique	54
19.3 Réduire la puissance raccordée en augmentant la durée de charge nominale	55
19.4 Réduction de la puissance d'alimentation en conservant la durée de charge nominale	55
19.5 Indications relatives à la consommation énergétique	56
19.6 Tableau des données	57

GARANTIE

ENVIRONNEMENT ET RECYCLAGE

REMARQUES PARTICULIÈRES

- Conservez précieusement ces instructions d'utilisation et d'installation pour les avoir à disposition en cas de besoin.
- Veuillez tenir les enfants de moins de 3 ans éloignés de l'appareil s'ils ne sont pas sous constante surveillance.
- L'appareil peut être allumé et éteint par des enfants âgés de 3 à 7 ans lorsqu'ils sont accompagnés ou qu'ils ont appris à l'utiliser en toute sécurité et s'ils ont compris les dangers encourus. La condition préalable est que l'appareil ait été monté comme décrit. Les enfants de 3 à 7 ans ne doivent pas régler l'appareil.
- L'appareil peut être utilisé par des enfants de 8 ans et plus ainsi que par des personnes aux facultés physiques, sensorielles ou mentales réduites, ou par des personnes sans expérience, lorsqu'ils sont accompagnés ou qu'ils ont appris à l'utiliser en toute sécurité et s'ils ont compris les dangers encourus.
- Ne laissez pas les enfants jouer avec l'appareil. Ni le nettoyage ni la maintenance relevant de l'utilisateur ne doivent être effectués par des enfants sans surveillance.
- Certaines parties de l'appareil peuvent être très chaudes et causer des brûlures. La présence d'enfants ou de personnes vulnérables requiert une attention particulière.
- Des odeurs peuvent se dégager lors de la première charge. Veillez à aérer suffisamment la pièce.
- Respectez les distances minimales par rapport aux objets voisins ou autres matériaux inflammables (voir le chapitre « Installation / Distances minimales »).
- Afin d'éviter la surchauffe de l'appareil, veuillez ne pas le couvrir.
- Ne placez aucun objet sur l'appareil ou à proximité immédiate. N'appuyez aucun objet contre l'appareil.
- N'installez pas l'appareil directement sous une prise électrique murale.
- Tenez compte des valeurs de charge nominale figurant au chapitre « Données techniques / Tableau des données ».
- Placez l'appareil de sorte que les dispositifs de commutation et de régulation ne puissent pas être accessibles depuis une baignoire ou une douche.
- Le raccordement au secteur n'est autorisé qu'en installation fixe. L'appareil doit pouvoir être mis hors tension par un dispositif de coupure omnipolaire ayant une ouverture minimale des contacts de 3 mm.
- Fixez l'appareil comme indiqué dans le chapitre « Installation / Montage ».
- L'installation, la mise en service, la maintenance et la réparation de l'appareil ne peuvent être effectuées que par un installateur qualifié pour ce faire et conformément à cette notice.
- Une isolation thermique endommagée peut être à l'origine de la surchauffe de l'appareil. Si vous constatez que des pièces d'isolation thermique sont endommagées ou altérées, remplacez ces pièces.
- Afin de garantir la stabilité de l'appareil, ne posez l'appareil que sur une surface plane. Évitez que l'appareil repose en partie sur une surface au sol inégale, par exemple en raison de tapis ou de carrelage.

UTILISATION

1. Remarques générales

Les chapitres « Remarques particulières » et « Utilisation » s'adressent aux utilisateurs de l'appareil et aux installateurs.

Le chapitre « Installation » s'adresse aux installateurs.



Remarque

Lisez attentivement cette notice avant utilisation et conservez-la soigneusement. Remettez cette notice à tout nouvel utilisateur le cas échéant.

1.1 Consignes de sécurité

1.1.1 Structure des consignes de sécurité



MENTION D'AVERTISSEMENT Nature du danger
Sont indiqués ici les risques éventuellement encourus en cas de non-respect de la consigne de sécurité.

- Indique les mesures permettant de prévenir le danger.

1.1.2 Symboles, nature du danger

Symbole	Nature du danger
	Blessure
	Électrocution
	Brûlure (brûlure, ébullition)

1.1.3 Mentions d'avertissement

MENTION D'AVERTISSEMENT	Signification
DANGER	Caractérise des remarques dont le non-respect entraîne de graves lésions, voire la mort.
AVERTISSEMENT	Caractérise des remarques dont le non-respect peut entraîner de graves lésions, voire la mort.
ATTENTION	Caractérise des remarques dont le non-respect peut entraîner des lésions légères ou moyennement graves.

1.2 Autres repérages utilisés dans cette documentation



Remarque

Le symbole ci-contre caractérise des remarques générales.

- Lisez attentivement les remarques.

Symbole	Signification
	Dommages matériels (dommages subis par l'appareil, dommages indirects et pollution de l'environnement)
	Recyclage de l'appareil

- Ce symbole signale une action à entreprendre. Les actions nécessaires sont décrites étape par étape.

1.3 Remarques apposées sur l'appareil

Symbole	Signification
	Ne pas couvrir l'appareil

1.4 Unités de mesure



Remarque

Sauf indication contraire, toutes les cotes sont indiquées en millimètres.

1.5 Illustrations

Dans cette documentation, les illustrations sont fournies à titre d'exemple et peuvent diverger du type d'appareil concerné.

2. Sécurité

2.1 Utilisation conforme

Cet appareil est conçu pour le chauffage de pièces d'habitation.

L'appareil est prévu pour une utilisation domestique. Il peut être utilisé sans risque par des personnes qui ne disposent pas de connaissances techniques particulières. L'appareil peut également être utilisé dans un environnement non domestique, par exemple dans de petites entreprises, à condition que son utilisation soit de même nature.

Tout autre emploi est considéré comme non conforme. Une utilisation conforme de l'appareil implique également le respect de cette notice et de celles des accessoires utilisés.

2.2 Consignes de sécurité générales

Respectez les consignes de sécurité et les instructions énoncées ci-après.

- L'installation électrique et l'installation de l'appareil ne doivent être effectuées que par un installateur ou un technicien de notre service après-vente conformément à ces instructions.
- L'installateur est responsable du respect des prescriptions applicables lors de l'installation et de la première mise en service.
- N'utilisez cet appareil que s'il est installé dans son intégralité et doté de tous les dispositifs de sécurité.

Description de l'appareil



AVERTISSEMENT Blessure

- Veuillez tenir les enfants de moins de 3 ans éloignés de l'appareil s'ils ne sont pas sous constante surveillance.
- L'appareil peut être allumé et éteint par des enfants âgés de 3 à 7 ans lorsqu'ils sont accompagnés ou qu'ils ont appris à l'utiliser en toute sécurité et s'ils ont compris les dangers encourus. La condition préalable est que l'appareil ait été monté comme décrit. Les enfants de 3 à 7 ans ne doivent pas régler l'appareil.
- L'appareil peut être utilisé par des enfants de 8 ans et plus ainsi que par des personnes aux facultés physiques, sensorielles ou mentales réduites, ou par des personnes sans expérience, lorsqu'ils sont accompagnés ou qu'ils ont appris à l'utiliser en toute sécurité et s'ils ont compris les dangers encourus.
- Ne laissez pas les enfants jouer avec l'appareil. Ni le nettoyage ni la maintenance relevant de l'utilisateur ne doivent être effectués par des enfants sans surveillance.



AVERTISSEMENT Brûlure

N'utilisez pas l'appareil :

- si les distances minimales aux surfaces d'objets voisins ou autres objets inflammables ne sont pas suffisantes ;
- dans les locaux où existe un risque d'incendie ou d'explosion en raison de la présence de produits chimiques, poussières, gaz ou vapeurs. Avant le rechargement, aérez suffisamment le local ;
- à proximité immédiate de conduites ou récipients susceptibles de contenir ou de transporter des matériaux inflammables ou explosibles ;
- si des travaux de pose, de ponçage, de vitrification sont exécutés dans le local où l'appareil est installé ;
- si un composant de l'appareil est endommagé ou si un dysfonctionnement survient.



AVERTISSEMENT Brûlure

- Ne placez pas d'objets ou de substances combustibles ou inflammables ni thermo-isolants sur l'appareil ou dans sa proximité immédiate. N'appuyez aucun objet contre l'appareil. De la chaleur risque de s'accumuler et de porter la surface de l'habillage et les objets à une température excessive.
- Veillez à ne jamais bloquer les ouvertures d'arrivée et de sortie d'air.
- N'intercalez pas d'objet entre l'appareil et le mur.



ATTENTION Brûlure

La surface des habillages de l'appareil et l'air rejeté peuvent être très chauds lorsque l'appareil est en service (plus de 80 °C) et causer des brûlures. La présence d'enfants ou de personnes vulnérables requiert une attention particulière.



AVERTISSEMENT Surchauffe

Afin d'éviter la surchauffe de l'appareil, veuillez ne pas le couvrir.

2.3 Label de conformité

Voir la plaque signalétique sur l'appareil. La plaque signalétique se trouve sur la paroi latérale gauche de l'appareil.

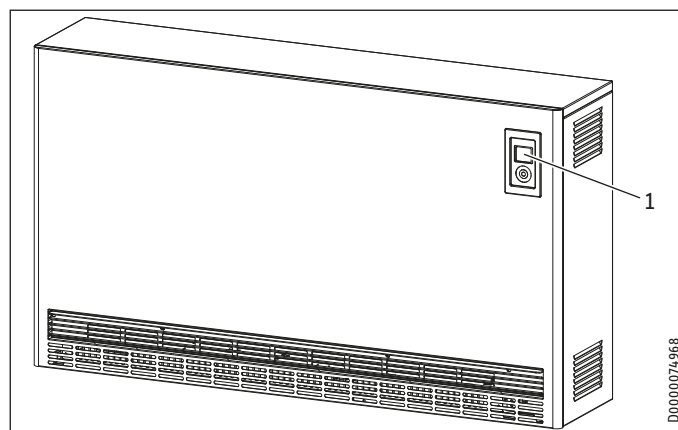
3. Description de l'appareil

Cet appareil accumule de la chaleur produite électriquement. La chaleur électrique est produite à un tarif préférentiel pendant les heures creuses.

Les heures creuses sont définies par le distributeur d'électricité. Elles se situent généralement la nuit.

En fonction de la température ambiante souhaitée, la chaleur accumulée est restituée dans le local sous forme d'air chaud par une soufflante et, dans une moindre mesure, par le biais de la surface de l'appareil.

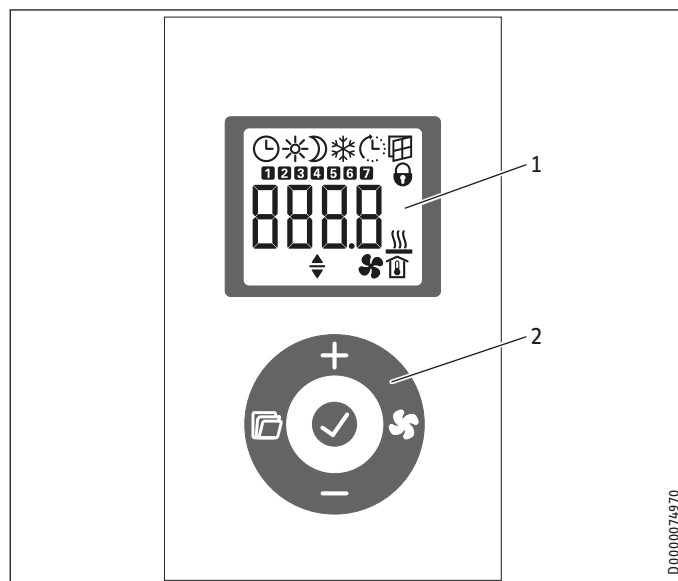
4. Utilisation



1 Unité de commande

4.1 Unité de commande






La commande s'effectue à l'aide de l'unité de commande qui est logée dans la façade en haut à droite.



1 Affichage

2 Module de commande

4.1.1 Module de commande

Touche	Dénomination	Description
	Touche « Ventilateur »	Mise en marche et arrêt de la soufflante
	Touche « OK »	Sélection ; Confirmation des réglages
	Touche « Menu »	Appeler et quitter les menus
	Touche « + »	Accès aux rubriques des menus ; Modification des réglages
	Touche « - »	Accès aux rubriques des menus ; Modification des réglages

4.1.2 Affichage







En l'absence d'action de l'utilisateur pendant 30 secondes, le rétro-éclairage s'éteint. Appuyez sur une touche quelconque pour réactiver le rétro-éclairage.






Symboles



Remarque

Tous les symboles ne sont pas affichés lorsque la restitution de chaleur (décharge) est régulée par un régulateur de température ambiante monté au mur.

Symbole	Description
	Horloge : Affichage de l'heure actuelle ou d'une heure de démarrage programmée Mode programmeur : L'appareil chauffe en fonction du programme de temporisation en cours.
	Mode confort : L'appareil régule à la température de confort préréglée. Par défaut : 21 °C. Conserver ce réglage pour une température ambiante de confort quand la pièce est occupée.
	Mode réduit : L'appareil régule à la température réduite préréglée. Par défaut : 18 °C. Utilisez ce réglage la nuit ou lorsque les occupants s'absentent plusieurs heures.
	Démarrage adapté : En mode programmeur, l'heure de démarrage du convecteur est adaptée en fonction de la durée nécessaire pour atteindre la température ambiante de consigne à l'heure programmée. Condition requise : la fonction « Démarrage adapté » est activée (voir chapitre « Réglages avec un régulateur de température ambiante intégré / Menu principal »).
	Détection de fenêtre ouverte : Pour éviter de consommer de l'énergie inutilement lors de l'aération des pièces, l'appareil baisse automatiquement la consigne de température ambiante pendant une heure à 7,0 °C lorsqu'une fenêtre est ouverte. L'icône « Détection de fenêtre ouverte » clignote. Vous pouvez quitter manuellement le mode de détection de fenêtre ouverte après l'aération en appuyant sur l'une des touches « + » ou « OK ». L'appareil chauffe de nouveau le local jusqu'à atteindre la température ambiante de consigne préréglée. Condition requise : La détection de fenêtre ouverte est activée (voir chapitre « Réglages avec un régulateur de température ambiante intégré / Menu principal »).
	Verrouillage des commandes : Pour verrouiller ou déverrouiller l'unité de commande, maintenez les touches « + » et « - » enfoncées pendant 5 secondes.

Symbole	Description
	Autorisation du chauffage d'appoint (en accessoire) : Lorsque la quantité de chaleur de l'accumulateur ne suffit plus au chauffage d'une pièce, le chauffage d'appoint chauffe en complément.
	Affichage de la température ambiante
	Autorisation de la soufflante active : Lorsque la température ambiante baisse en dessous de la consigne définie pour la température ambiante, la soufflante se met en marche et insuffle de l'air chauffé dans la pièce jusqu'à ce que la température réglée soit atteinte.
	Paramètre modifiable : Le paramètre affiché peut être modifié à l'aide des touches « + » ou « - ».
	Jours de la semaine : 1 = lundi, 2 = mardi... 7 = dimanche

4.2 Accumulation de chaleur

Le degré de chaleur accumulée (charge) est défini par la régulation de charge.

Les réglages auxquels vous devez procéder au niveau du régulateur de charge dépendent de la présence ou non d'une commande centralisée de la charge en fonction des conditions climatiques.

Cette centrale de commande de charge se trouve dans l'armoire électrique.

4.2.1 Appareils avec commande de charge en fonction des conditions climatiques

- Pour accéder au dispositif d'abaissement du degré de charge, appuyez sur la touche « Menu » dans le menu principal (voir chapitre « Réglages avec un régulateur de température ambiante intégré / Menu principal »).
- Appuyez sur la touche « OK ». Dès que le symbole « Paramètre modifiable » apparaît, réglez le dispositif d'abaissement du degré de charge sur 100 % à l'aide des touches « + » et « - ».



Remarque

Réglez le dispositif d'abaissement du degré de charge à l'aide des touches « + » et « - » dans l'affichage standard lorsque la restitution de chaleur (décharge) est régulée par un régulateur de température ambiante monté au mur.

La commande de charge pilotée en fonction des conditions climatiques assure une accumulation idéale.



Remarque

Tenez compte de la notice de la commande de charge ou de l'unité de commande groupée à ce sujet.

Outre les différentes régulations des divers appareils, vous avez la possibilité de procéder à un ajustement manuel de l'accumulation via le dispositif d'abaissement du degré de charge.

Il n'y aura pas de charge si vous réglez le dispositif d'abaissement du degré de charge sur 0 %.

4.2.2 Appareils sans commande de charge pilotée en fonction des conditions climatiques

Vous disposez des deux solutions suivantes pour procéder à la charge sans commande pilotée en fonction des conditions atmosphériques :

Régulation de la charge via le dispositif d'abaissement du degré de charge

La quantité d'accumulation est réglée par le dispositif d'abaissement du degré de charge.

- Pour accéder au dispositif d'abaissement du degré de charge, appuyez sur la touche « Menu » dans le menu principal (voir chapitre « Réglages avec un régulateur de température ambiante intégré / Menu principal »).
- Appuyez sur la touche « OK ». Dès que le symbole « Paramètre modifiable » apparaît, réglez le dispositif d'abaissement du degré de charge à l'aide des touches « + » et « - ».



Remarque

Réglez le dispositif d'abaissement du degré de charge à l'aide des touches « + » et « - » dans l'affichage standard lorsque la restitution de chaleur (décharge) est régulée par un régulateur de température ambiante monté au mur.

Les valeurs indicatives suivantes s'appliquent :

Valeur	Quantité d'accumulation
0 %	Pas de charge (en été)
30 %	1/3 env. de la charge complète pour l'entre-saison (printemps, automne)
70 %	2/3 env. de la charge complète pour les journées douces en hiver
100 %	Charge complète pour les journées d'hiver froides

Après une courte période de familiarisation, vous aurez acquis l'expérience nécessaire pour effectuer le réglage correct.

Régulation de la charge pilotée par la température ambiante (C-PLUS TECHNOLOGY)

La régulation de la charge pilotée par la température ambiante ajuste automatiquement le niveau de charge aux besoins en chaleur de la pièce. Le niveau de charge nécessaire est déterminé en fonction de la température ambiante, du fonctionnement du ventilateur et de la charge résiduelle de l'appareil. L'objectif étant qu'en fin de journée, la capacité calorifique suffise pour maintenir la température ambiante réglée.



Remarque

- L'appareil doit toujours être alimenté en tension.
- La charge peut être activée par le signal LF du four-nisseur d'énergie (le signal LF doit être connecté) ou par l'horloge interne. Cette sélection s'opère via le paramètre P15 dans le menu de configuration.
- L'autorisation du ventilateur doit toujours être activée.
- Lors de la première mise en service et en cas de coupure du courant de 8 heures minimum, la charge atteint 60 %.
- La régulation de la charge pilotée par la température ambiante dépend des conditions régnant dans la pièce. Les rayons du soleil et certains facteurs météorologiques défavorables peuvent avoir des répercussions sur le niveau de charge.
- Le réglage du niveau de charge optimal peut durer plusieurs jours.
- Si l'appareil reste longtemps en mode réduit (par exemple en cas d'absence), le mode confort doit être activé 1 à 2 jours à l'avance.
- Si la restitution de chaleur (décharge) est régulée au moyen d'un régulateur de température ambiante monté au mur, une perte de confort est possible. L'appareil ne dispose pas d'informations sur la température ambiante. Il est recommandé d'utiliser le régulateur de température ambiante intégré.

Si la pièce est toujours trop chaude le soir, vous pouvez réduire le niveau de charge de l'appareil au moyen du dispositif d'abaissement du degré de charge.



Remarque

Si la régulation de la charge est pilotée par la température ambiante, le fonctionnement du dispositif d'abaissement du degré de charge se distingue nettement du fonctionnement décrit au chapitre « Accumulation de chaleur / Régulation de la charge via le dispositif d'abaissement du degré de charge ». Une charge est possible même avec un réglage de 0 %.

- Pour accéder au dispositif d'abaissement du degré de charge, appuyez sur la touche « Menu » dans le menu principal (voir chapitre « Réglages avec un régulateur de température ambiante intégré / Menu principal »).
- Appuyez sur la touche « OK ». Dès que le symbole « Paramètre modifiable » apparaît, réglez le dispositif d'abaissement du degré de charge à l'aide des touches « + » et « - ».

Lorsque la pièce n'a plus besoin de chaleur, le niveau de charge diminue progressivement jusqu'à zéro. L'appareil se remet à charger dès que la pièce a de nouveau besoin de chaleur.

4.3 Restitution de la chaleur

La restitution de chaleur (décharge) est régulée par un régulateur de température ambiante intégré à l'appareil ou par un régulateur de température ambiante 2 points monté au mur (voir le chapitre « Accessoires »).

Le régulateur de température ambiante régule automatiquement la restitution de la chaleur par la soufflante de manière à ce que la consigne de température ambiante reste constante. L'autorisation de la soufflante doit être activée pour que la soufflante puisse fonctionner.

Réglages avec un régulateur de température ambiante intégré



Remarque

Pendant une absence de plusieurs jours durant la période de chauffage, il est judicieux de régler une température ambiante réduite (10 °C par ex.). Ce réglage évite un refroidissement excessif du local (protection hors gel).

4.3.1 Mise en marche et arrêt de la soufflante

► Appuyez sur la touche « Ventilateur » pour activer ou désactiver l'autorisation de la soufflante. Lorsque l'autorisation de la soufflante est activée, le symbole du ventilateur apparaît à l'affichage.



Remarque

Si la régulation de la charge est pilotée par la température ambiante, l'autorisation du ventilateur doit toujours être activée.

5. Réglages avec un régulateur de température ambiante intégré

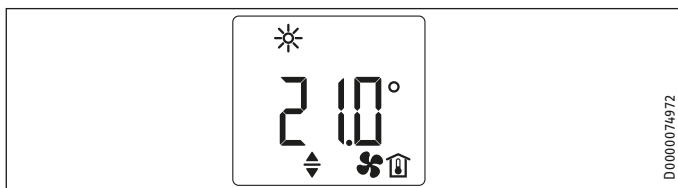
Tous les réglages sont conservés en cas de coupure de courant. Cet appareil possède une certaine autonomie permettant de conserver le jour de la semaine et l'heure actuels pendant plusieurs heures.



Remarque

Si le courant est coupé pendant plus de 8 heures, vous devrez régler à nouveau le jour de la semaine et l'heure. « - - - - » clignote sur l'afficheur. Si l'interface utilisateur est bloquée par le verrouillage des touches, vous pouvez la déverrouiller en maintenant les touches « + » et « - » enfoncées pendant 5 secondes.

5.1 Affichage par défaut



L'écran par défaut reste affiché en permanence. Si vous trouvez dans le menu et n'effectuez aucune commande pendant 30 secondes, l'appareil repasse automatiquement à l'affichage par défaut.

Celui-ci affiche la température ambiante de consigne actuelle ainsi que l'icône « Paramètre modifiable ». Vous pouvez modifier cette température de consigne à l'aide des touches « + » et « - ».

Lorsque la température ambiante de consigne correspond à la valeur préréglée pour la température de confort ou réduite, l'icône correspondant au mode de fonctionnement s'affiche dans la barre de menu (confort ou réduit).

La température ambiante de consigne peut également être modifiée en mode programmeur. La température ambiante de consigne est maintenue jusqu'à la fin de la plage horaire programmée.

5.2 Menu principal

Pour accéder au menu principal, appuyez brièvement sur la touche « Menu ». Vous pouvez alors accéder aux rubriques suivantes :

Affichage	Description
	Réglage du dispositif d'abaissement du degré de charge Une adaptation manuelle de la quantité d'accumulation par pas de 10 % est possible pour les jours où les besoins en chaleur sont faibles.
	Réglage du jour de la semaine et de l'heure Jours de la semaine : 1 = lundi jusqu'à 7 = dimanche
	Réglage de la température de confort La température de confort doit être supérieure d'au moins 0,5 °C à la température réduite.
	Réglage de la température réduite La température de réduit doit être réglée sur une valeur inférieure d'au moins 0,5 °C à celle de la température de confort.
	Activation /désactivation de la fonction « Détection de fenêtre ouverte »
	Sélection ou désactivation (off) du programme de temporisation (Pro1, Pro2, Pro3)
	Activation / désactivation de la fonction « Démarrage adapté »
	Mise en marche ou à l'arrêt du chauffage d'appoint (accessoire) S'affiche uniquement si un chauffage d'appoint a été installé et activé.

Si vous souhaitez modifier les valeurs d'une rubrique de menu, appelez celle-ci à l'aide des touches « + » et « - ». Appuyez sur la touche « OK ».

La modification par les touches « + » et « - » est possible si l'icône « Paramètre modifiable » est affichée. Appuyez sur la touche « OK » pour enregistrer le réglage.

Pour quitter le menu principal, appuyez sur la touche « Menu ». L'affichage standard apparaît.

5.3 Menu de paramétrage

Affichage	Description
I1-I2	Valeurs réelles
Pro1-Pro3	Programmes de temporisation
P1-P5	Paramètres
CodE	Accès installateur

Dans le menu de paramétrage, vous pouvez accéder aux valeurs réelles, configurer les programmations et définir les paramètres.

Réglages avec un régulateur de température ambiante intégré

Pour accéder au menu de paramétrage, maintenez la touche « Menu » appuyée. La valeur réelle I1 s'affiche au bout de 3 secondes env.

Vous pouvez naviguer entre les différentes valeurs réelles et entre les différents programmes et paramètres à l'aide des touches « + » et « - ».

Pour quitter le menu de paramétrage, appuyez sur la touche « Menu ». L'affichage standard apparaît.

5.3.1 Valeurs réelles

Vous pouvez accéder aux valeurs réelles suivantes :

Affichage	Description	Unité
I1	Valeur réelle de la température ambiante	[°C] [°F]
I2	Temps de chauffe relatif (le paramètre P5 permet de réinitialiser ce compteur)	[h]



Remarque

Le compteur du temps de chauffe relatif (I2) additionne le temps de charge en heures complètes de fonctionnement. Le compteur incrémente d'une unité lorsque l'appareil a chargé pendant une heure complète (même si c'était en plusieurs fois).

5.3.2 Programmes de temporisation

Vous disposez de 3 programmes pour le fonctionnement en mode programmeur. Les programmes Pro1 et Pro2 sont préconfigurés en usine. Vous pouvez définir le programme Pro3 selon vos besoins personnels.

Affichage	Description
Pro1	Programme « tous les jours » - répétition : du lundi au dimanche
Pro2	Programme « jours ouvrables » - répétition : du lundi au vendredi
Pro3	Programme « personnalisé » - jusqu'à 14 phases de confort en configuration libre



Remarque

Si vous désirez utiliser le programmeur, vous devez choisir le programme qui vous convient dans le menu principal (voir chapitre « Réglages avec un régulateur de température ambiante intégré / Menu principal »).



Remarque

Lors de la programmation, assurez-vous que l'heure et le jour de la semaine actuels sont corrects.



Remarque

La remarque suivante est valable pour chacun des programmes (Pro1, Pro2, Pro3) : si la plage programmée se termine après 23 h 59, la fin sera automatiquement reportée au jour suivant. La plage de confort sera maintenue après minuit et se terminera le lendemain à l'heure programmée.

Programmes Pro1 et Pro2

Les programmes Pro1 et Pro2 permettent de définir les horaires de début et de fin du mode confort. Durant cette période, l'appareil chauffe à la température de confort préréglée. En dehors de cette plage, il fonctionne en mode réduit. Vous pouvez ainsi programmer une phase confort et une phase de fonctionnement à température réduite pour tous les jours de la semaine (Pro1) ou tous les jours ouvrables (Pro2).

La configuration usine est la suivante :

- de 08 h 00 à 22 h 00 : mode confort
- de 22 h 00 à 08 h 00 : mode réduit



Remarque

Si le programme Pro2 est activé, l'appareil fonctionne exclusivement en mode réduit pendant le week-end.

Procédez comme suit pour adapter les programmes Pro1 et Pro2 à vos besoins :

- ▶ Dans le menu de paramétrage, appelez le programme souhaité à l'aide des touches « + » et « - ».
- ▶ Appuyez sur la touche « OK ». L'heure de début du mode confort s'affiche.
- ▶ Programmez l'heure de début souhaitée à l'aide des touches « + » et « - ».
- ▶ Appuyez sur la touche « OK ». L'heure de fin du mode confort s'affiche.
- ▶ Programmez l'heure de fin souhaitée à l'aide des touches « + » et « - ».
- ▶ Appuyez sur la touche « OK » pour enregistrer.

Programme Pro3

Avec le programme Pro3, vous pouvez définir jusqu'à 14 plages horaires de mode confort séparées, celles-ci se répétant à l'identique d'une semaine sur l'autre.

Procédez comme suit pour paramétrer une plage de confort dans le programme Pro3 :

- ▶ Dans le menu de paramétrage, appelez le programme Pro3 à l'aide des touches « + » et « - ».
- ▶ Appuyez sur la touche « OK ». L'écran affiche « 3-- ».
- ▶ Appuyez sur la touche « OK ». L'écran affiche un jour / un groupe de jours de la semaine.
- ▶ Définissez le jour / le groupe de jours de la semaine souhaité à l'aide des touches « + » et « - ».
- ▶ Appuyez sur la touche « OK ». L'heure de début du mode confort s'affiche.
- ▶ Programmez l'heure de début souhaitée à l'aide des touches « + » et « - ».
- ▶ Appuyez sur la touche « OK ». L'heure de fin du mode confort s'affiche.
- ▶ Programmez l'heure de fin souhaitée à l'aide des touches « + » et « - ».
- ▶ Appuyez sur la touche « OK ». La plage de confort « 3-01 » est paramétrée.

Réglages avec un régulateur de température ambiante monté au mur

- Pour paramétrer une plage de confort supplémentaire, choisissez l'affichage « 3--- » à l'aide des touches « + » et « - ». Procédez ensuite comme décrit plus haut.



Remarque

Activez le paramètre P4 pour réinitialiser les phases confort programmées.

- À noter que tous les programmes de temporisation (Pro1, Pro2, Pro3) sont réinitialisés à leur configuration d'origine par l'activation du paramètre P4.

5.3.3 Paramètres

Vous pouvez accéder aux paramètres suivants :

Affi-chage	Description	Options
P1	Décalage température ambiante	±3 °C ±5 °F
P2	Format de l'heure	12 h 24 h
P3	Unité de température	°C °F
P4	Réinitialiser les programmes (mode programmation).	on off
P5	Réinitialisation du temps de chauffe relatif	on off

Si vous souhaitez modifier la valeur d'un paramètre, appelez celui-ci à l'aide des touches « + » et « - ». Appuyez sur la touche « OK ».

Dès que l'icône « Paramètre modifiable » s'affiche, vous pouvez modifier la valeur à l'aide des touches « + » et « - ». Appuyez sur la touche « OK » pour enregistrer la valeur paramétrée.

P1: Décalage température ambiante

Une répartition irrégulière de la température dans le local peut être à l'origine d'un écart entre la température réelle I1 et celle que vous mesurez. Pour compenser cet écart, le paramètre P1 vous permet de définir un décalage par rapport à la température ambiante de ±3 °C.

Exemple : L'appareil affiche I1 = 21,0 °C. Vous avez mesuré une température de 20,0 °C. L'écart constaté est de 1,0 °C.

- Pour compenser cet écart, vous devez définir un décalage de P1 = -1,0.

P2: Format de l'heure

Le paramètre P2 vous permet de définir le format horaire sur 12 ou 24 heures.

P3: Unité de température

Avec le paramètre P3, il est possible de définir l'unité d'affichage de la température ambiante : degrés Celsius [°C] ou degrés Fahrenheit [°F].

P4: Réinitialisation des programmes de temporisation

En activant le paramètre P4, vous réinitialisez tous les programmes à leur configuration d'origine.

P5: Réinitialisation du temps de chauffe relatif

En activant le paramètre P5, vous réinitialisez le compteur du temps de chauffe relatif (I2).

5.3.4 Accès installateur

Affi-chage	Description
CodE	Accès installateur



Remarque

Certaines options du menu sont protégées par un code et ne peuvent être consultées et réglées que par un installateur.

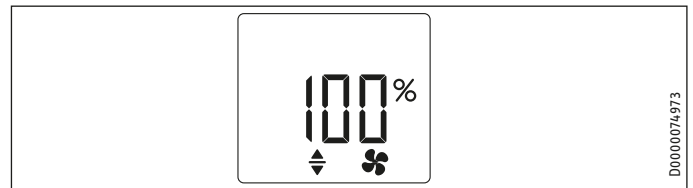
6. Réglages avec un régulateur de température ambiante monté au mur



Remarque

Si vous réglez la restitution de chaleur (décharge) par un régulateur de température ambiante monté au mur, vous ne disposez que de possibilités de réglage très restreintes sur l'appareil.

6.1 Affichage par défaut



L'écran par défaut reste affiché en permanence. Si vous trouvez dans le menu et n'effectuez aucune commande pendant 30 secondes, l'appareil repasse automatiquement à l'affichage par défaut.

L'affichage standard indique le réglage actuel du dispositif d'abaissement du degré de charge ainsi que l'icône « Paramètre modifiable ». Une adaptation manuelle de la quantité d'accumulation par pas de 10 % est possible à l'aide des touches « + » et « - » pour les jours aux faibles besoins de chaleur.

6.2 Menu principal



Remarque

Vous ne pouvez ouvrir le menu de base que si votre appareil est équipé d'un chauffage d'appoint (accessoire).

Pour accéder au menu principal, appuyez brièvement sur la touche « Menu ».

Affichage	Description
off	Mise en marche ou arrêt du chauffage d'appoint (accessoire) Même en présence d'un régulateur de température ambiante monté au mur équipé d'un interrupteur du chauffage d'appoint, le chauffage d'appoint doit être activé dans le menu de base.

Appuyez sur la touche « OK » si vous souhaitez modifier les valeurs d'une rubrique de menu.

La modification par les touches « + » et « - » est possible si l'icône « Paramètre modifiable » est affichée. Appuyez sur la touche « OK » pour enregistrer le réglage.

Pour quitter le menu principal, appuyez sur la touche « Menu ». L'affichage standard apparaît.

6.3 Menu de paramétrage

Affichage	Description
I2	Valeur réelle
P5	Paramètres
CodE	Accès installateur

Pour accéder au menu de paramétrage, maintenez la touche « Menu » appuyée. La valeur réelle I2 s'affiche au bout de 3 secondes env.

Vous pouvez naviguer entre la valeur réelle et le paramètre à l'aide des touches « + » et « - ».

Pour quitter le menu de paramétrage, appuyez sur la touche « Menu ». L'affichage standard apparaît.

6.3.1 Valeur réelle

Affichage	Description	Unité
I2	Temps de chauffe relatif (Le paramètre P5 permet de réinitialiser ce compteur)	[h]



Remarque

Le compteur du temps de chauffe relatif (I2) additionne le temps de charge en heures complètes de fonctionnement. Le compteur incrémente d'une unité lorsque l'appareil a chargé pendant une heure complète (même si c'était en plusieurs fois).

6.3.2 Paramètres

Affichage	Description	Options
P5	Réinitialisation du temps de chauffe relatif En activant le paramètre P5, vous réinitialisez le compteur du temps de chauffe relatif (I2).	on off

Appuyez sur la touche « OK » si vous souhaitez modifier les valeurs du paramètre.

La modification du paramètre par les touches « + » et « - » est possible dès que l'icône « Paramètre modifiable » est affichée. Appuyez sur la touche « OK » pour enregistrer le réglage.

6.3.3 Accès installateur

Affichage	Description
CodE	Accès installateur



Remarque

Certaines options du menu sont protégées par un code et ne peuvent être consultées et réglées que par un installateur.

7. Nettoyage, entretien et maintenance



Dommmages matériels

- Ne vaporisez pas de nettoyant en spray dans la fente de passage d'air.
- Évitez toute pénétration d'humidité dans l'appareil.

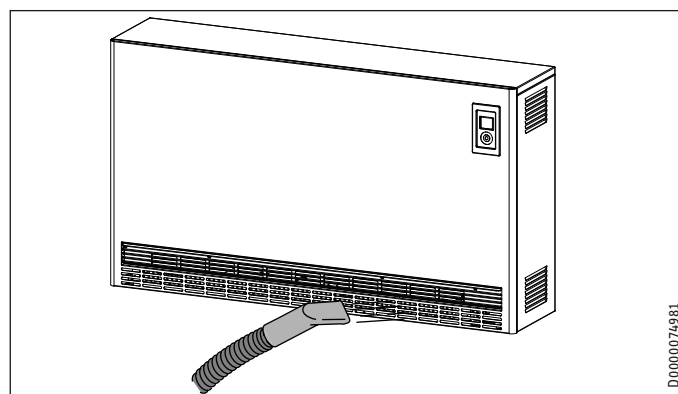
- Si une légère coloration brune apparaît sur l'enveloppe de l'appareil, éliminez-la en frottant avec un chiffon humide.
- Nettoyez l'appareil avec des produits d'entretien usuels lorsqu'il a refroidi. Évitez les produits d'entretien abrasifs et corrosifs.

7.1 Nettoyage du filtre à peluches



Remarque

Nettoyez régulièrement le filtre à peluches situé derrière l'arrivée d'air. Vous garantissez ainsi une décharge de l'appareil sans défauts. Arrêtez le ventilateur si le filtre à peluches est très encrassé.



- Nettoyez le filtre à peluches situé derrière l'arrivée d'air avec un aspirateur.

8. Aide au dépannage

Problème	Cause	Remède
L'appareil ne chauffe pas.	La charge n'a pas été définie ou bien elle est réglée trop bas. Pas d'alimentation électrique.	Réglez sur une charge plus élevée. Vérifiez le fusible du circuit et le disjoncteur différentiel du tableau électrique de la maison.
L'appareil ne chauffe pas avec la régulation de la charge pilotée par la température ambiante.	La température réglée sur l'appareil est trop basse. L'autorisation du ventilateur est désactivée.	Contrôlez le réglage de température ambiante. Adaptez le réglage si nécessaire. Activez l'autorisation du ventilateur.

Problème	Cause	Remède
Le local n'est pas suffisamment chauffé bien que l'appareil soit chaud.	Surchauffe. Le limiteur de sécurité limite la puissance de chauffe.	Éliminez la cause (encrassement ou obstacles à l'entrée ou à la sortie d'air). Respectez les distances minimales !
	La température réglée sur l'appareil est trop basse.	Contrôlez le réglage de température ambiante. Adaptez le réglage si nécessaire.
	L'autorisation du ventilateur est désactivée.	Activez l'autorisation du ventilateur.
	La puissance de l'appareil ne permet pas de couvrir les besoins de chaleur du local.	Éliminez les déperditions calorifiques (fermez les fenêtres et les portes. Évitez d'aérer en permanence.)
Malgré un temps doux, l'appareil fournit une forte chaleur.	Mauvais réglage de la commande de charge et /ou du régulateur de charge.	Ajustez les réglages.
Le local est trop chaud.	La température réglée sur l'appareil est trop élevée.	Contrôlez le réglage de température ambiante. Adaptez le réglage si nécessaire.
La pièce est toujours trop chaude le soir avec la régulation de la charge pilotée par la température ambiante.	Le niveau de charge de l'appareil est trop élevé.	Abaissez le niveau de charge de l'appareil au moyen du dispositif d'abaissement du degré de charge.
L'appareil ne restitue pas la chaleur.	Le filtre à peluches est obstrué.	Voir le chapitre « Nettoyage, entretien et maintenance ».
La détection de fenêtre ouverte ne réagit pas.	L'appareil ne détecte pas une chute de température importante due à l'aération. (La détection de fenêtre ouverte pré-suppose une température ambiante stable.)	Après réglage de l'appareil, attendez que la température ambiante se soit entièrement stabilisée.
		Évitez la présence d'obstacles entravant la circulation d'air entre l'appareil et le local. Verrouillez la soufflante pour la durée de la ventilation.
La détection de fenêtre ouverte n'est pas activée.		Activez la détection de fenêtre ouverte dans le menu principal.
La fonction « Démarrage adapté » ne fonctionne pas comme prévu.	Cette fonction n'a d'effet qu'en mode programmeur.	Utilisez le mode programmeur pour obtenir un confort optimal.
	La température ambiante fluctue fortement / la procédure d'apprentissage n'est pas achevée.	Attendez quelques jours que le système se soit stabilisé.
	La fonction « Démarrage adapté » n'est pas activée.	Activez la fonction « Démarrage adapté » dans le menu principal.
L'écran affiche « E1 », « E2 » ou « E3 ».	Une erreur interne a été détectée.	Veillez en informer votre installateur.



Remarque

Les modifications et les actions correctives sur la commande de charge ne seront perceptibles qu'après un nouveau cycle de charge.

Appelez votre installateur si vous ne réussissez pas à résoudre le problème. Pour obtenir une aide efficace et rapide, communiquez-lui le numéro indiqué sur la plaque signalétique (000000-0000-000000).

INSTALLATION

9. Sécurité

L'installation, la mise en service, la maintenance et les réparations de cet appareil doivent exclusivement être confiées à un installateur.



AVERTISSEMENT Électrocution

L'autocollant de sécurité « Achtung - Fernsteuerung! [Attention - Contrôle à distance !] » sur la tôle coudée du bornier de raccordement au secteur doit être masqué en apposant dessus l'autocollant de sécurité joint dans la langue correspondant au pays.

9.1 Consignes de sécurité générales

Nous ne garantissons le bon fonctionnement et la sécurité de fonctionnement de l'appareil que si les accessoires et pièces de rechange utilisés sont d'origine.

9.2 Prescriptions, normes et réglementations



AVERTISSEMENT Électrocution

Exécutez tous les travaux de raccordement et d'installation électriques conformément aux prescriptions.



AVERTISSEMENT Électrocution

Le raccordement au secteur doit être réalisé exclusivement sous la forme d'un raccordement fixe. L'appareil doit pouvoir être mis hors tension par un dispositif de coupure omnipolaire ayant une ouverture minimale des contacts de 3 mm.



Dommages matériels

Tenez compte des indications de la plaque signalétique. La tension indiquée doit correspondre à la tension du secteur. Dimensionnez tous les équipements en fonction de la puissance absorbée nominale des appareils.



Dommages matériels

Fixez l'appareil au mur ou au sol de manière à assurer sa stabilité statique.



Dommages matériels

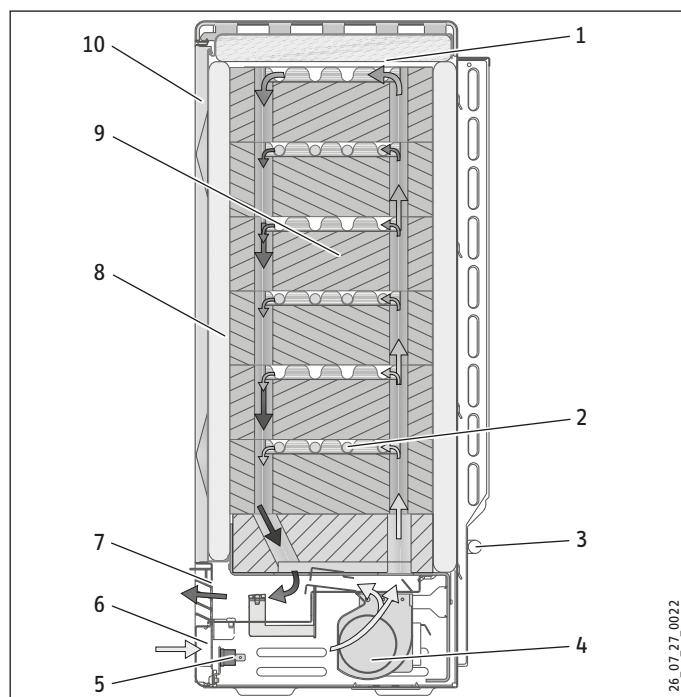
- N'installez pas l'appareil directement sous une prise électrique murale.
- Veillez à ce que le câble d'alimentation ne soit en contact avec aucune pièce de l'appareil.



Remarque

Respectez toutes les prescriptions et réglementations nationales et locales en vigueur.

10. Description de l'appareil



- 1 Tôle de recouvrement
- 2 Corps de chauffe
- 3 Sonde d'ambiance
- 4 Turbine (M1)
- 5 Thermostat de protection (N5)
- 6 Aspiration d'air
- 7 Sortie d'air
- 8 Isolation
- 9 Briques réfractaires
- 10 Paroi avant et paroi avant interne

10.1 Mode opératoire

Les rangées de briques réfractaires sont chauffées par des résistances intercalées. Le régulateur de charge définit la charge. Le début et la fin de charge sont déterminés par la société distributrice d'électricité.

Deux thermostats de protection intégrés et un limiteur de sécurité thermostatique préviennent toute surchauffe de l'appareil. Alors que les thermostats de protection se réactivent automatiquement, le limiteur de sécurité doit être réarmé en appuyant sur le bouton se trouvant en son milieu après avoir éliminé la cause du défaut.

La chaleur accumulée est également partiellement restituée au-dessus de l'appareil à l'aide d'une turbine. Pour cela, l'air ambiant est aspiré par l'orifice d'arrivée d'air par la soufflante et pulsé au travers des conduits d'air des briques réfractaires où il se réchauffe.

Avant de sortir par la grille de sortie d'air, cet air brûlant est mélangé avec de l'air ambiant plus froid en passant par deux clapets mélangeurs, de manière à ce que la température maximale admissible de sortie ne soit pas dépassée. La position du clapet mélangeur et par conséquent la proportion air chaud / air froid, est réglée par un thermostat bimétallique.

10.2 Fourniture

Sont fournis avec l'appareil :

- Briques réfractaires
- 2 supports muraux uniquement avec le SHS

10.3 Accessoires

- Régulateur de température ambiante à 2 positions (régulation de décharge)
- Chauffage d'appoint
- Kit de montage DC Control Input (commande de charge à signal pilote CC)
- Kit de montage raccordement en monophasé
- Kit de montage double puissance ZK*
- Consoles Vario
- Console d'appui*

* uniquement pour le SHS

11. Travaux préparatoires



Remarque

Une tension permanente doit être appliquée sur les bornes L et N de la barrette à bornes X2.



Remarque

Si l'appareil est raccordé à une commande de charge automatique, cette commande de charge doit être réglée pour un régulateur électronique de charge sans correction de tension.

11.1 Lieu d'installation



AVERTISSEMENT Brûlure

- Assurez-vous que le mur où est fixé l'appareil résiste à une température de 85 °C et le sol à 80 °C.
- Respectez les distances minimales d'espacement avec les objets avoisinants.



Remarque

Si l'appareil est placé dans des locaux où des odeurs de gaz d'échappement, de mazout ou d'essence sont dégagées où dans lesquels des solvants et produits chimiques sont manipulés, le fonctionnement de l'appareil peut entraîner des mauvaises odeurs ou des souillures tenaces sur l'appareil.



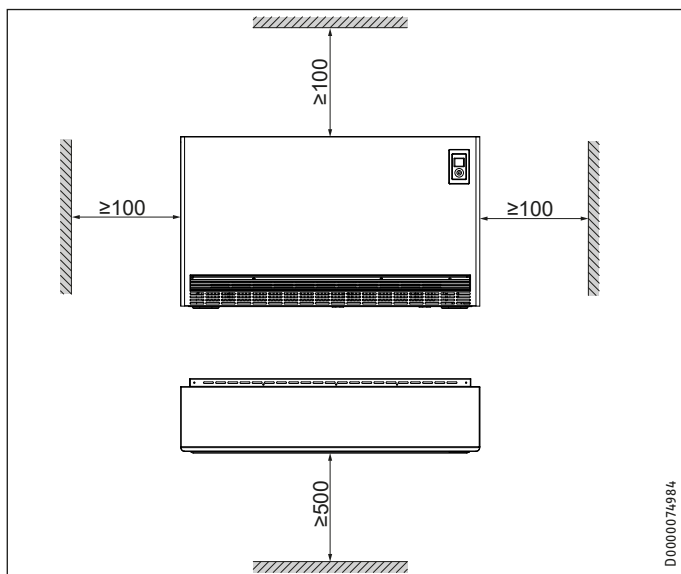
Domages matériels

L'appareil doit être installé à fleur du mur.

INSTALLATION

Montage

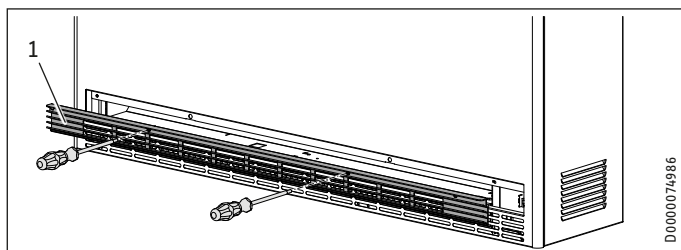
11.2 Distances minimales



- ▶ Assurez-vous que l'air chaud peut sortir librement de l'appareil.

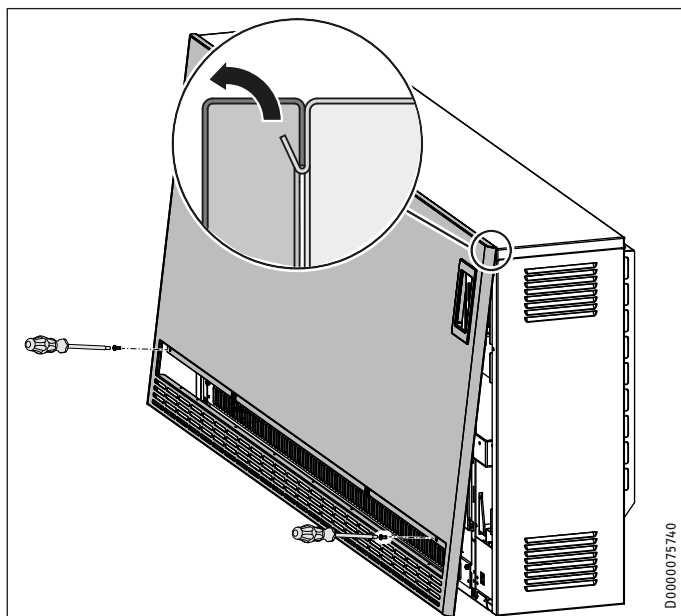
12. Montage

12.1 Ouvrir l'appareil

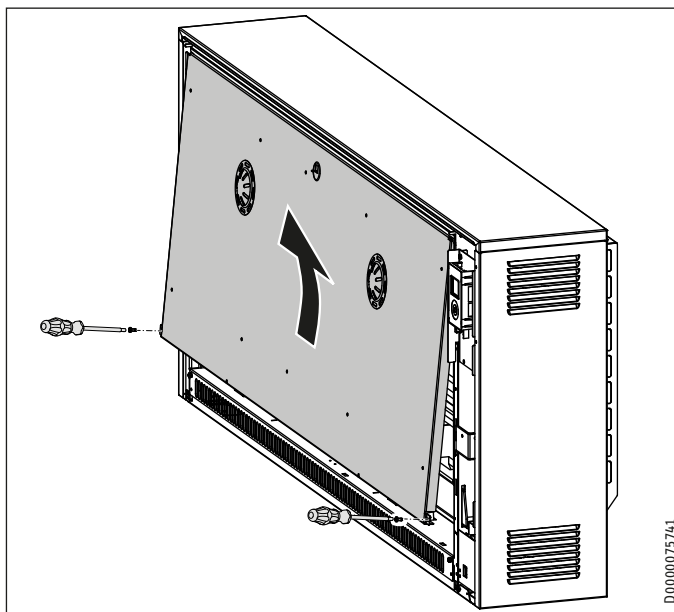


1 Grille de refoulement d'air

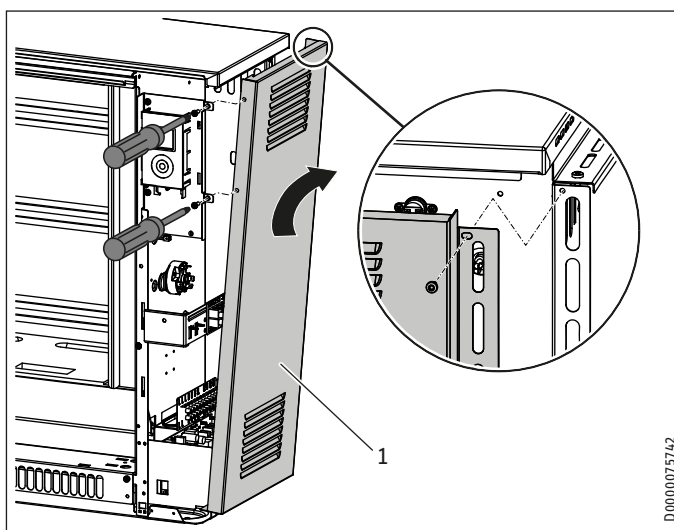
- ▶ Desserrez les deux fermetures 1/4 de tour de la grille de sortie d'air avant de la retirer.



- ▶ Desserrez les vis de la paroi avant.
- ▶ Tirez la paroi avant vers l'avant et soulevez-la.



- ▶ Dévissez les vis situées à la partie inférieure de la paroi avant intérieure.
- ▶ Tirez la paroi avant interne vers l'avant et soulevez-la.



1 Paroi latérale droite (déviscée)

- ▶ Desserrez les 3 vis devant et derrière sur la paroi latérale droite.
- ▶ Tirez un peu la paroi latérale vers l'avant et basculez-la en haut sur le côté.
- ▶ Soulevez légèrement la paroi latérale pour la dégager.

12.2 Réglage de la régulation



Remarque

Veillez tenir compte des indications suivantes. Une fois l'appareil en place, ce réglage ne pourra être effectué que sous certaines conditions en fonction du lieu d'implantation et de la variante d'appareil.

12.2.1 Réduction de la puissance d'alimentation

En configuration usine, le raccordement de l'appareil est réalisé pour la puissance maximale (100 %).

En déplaçant ou en éliminant certains cavaliers de pontage aux bornes de raccordement, vous pouvez réduire la puissance d'alimentation selon trois niveaux du degré de charge (voir chapitre « Données techniques / Réduction de la puissance d'alimentation »).

La section des conducteurs et les dispositifs de protection doivent correspondre à la puissance maximale admissible.



Remarque

Respectez les prescriptions de la société distributrice d'électricité.

12.2.2 Ajustement de la puissance correspondant à une durée de charge nominale plus longue

La puissance d'alimentation peut être adaptée à la durée de charge nominale imposée par la société distributrice d'électricité en déplaçant ou en enlevant des cavaliers sur le bornier de raccordement. Dans sa configuration d'usine, le radiateur à accumulation est conçu pour une durée de charge nominale de :

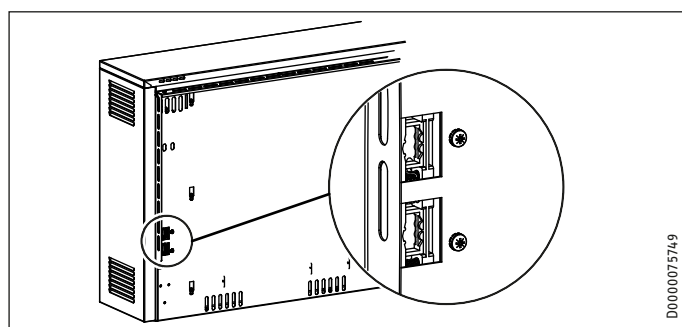
- 8 heures SHF | SHS
- 7 heures SHL

Respectez les indications du chapitre « Données techniques / Adaptation de la puissance ».

12.2.3 Raccordement à un signal pilote CC

Si l'installation est équipée d'une commande de charge à signal pilote CC (courant continu de 0,91 V - 1,43 V), le kit de montage DC Control Input (accessoire) est nécessaire. Le signal pilote CC doit être raccordé aux bornes A1/Z1 « DC + (pôle positif) » et A2/Z2 « DC - (pôle négatif) » sur la barrette à bornes X3. Tenez compte de la polarité.

12.3 Alimentation secteur / Câbles de raccordement



D0000075749



AVERTISSEMENT Électrocution

► Mettez les raccordements hors tension au coffret électrique avant d'entreprendre les travaux sur l'appareil !

- Introduisez le câble d'alimentation secteur et du régulateur de charge et de décharge dans les ouvertures de la paroi arrière de l'appareil et effectuez le branchement (voir « Données techniques / Schéma électrique »).

- Prévoyez 260 mm de câble env. et raccourcissez-le au besoin. Les câbles ne doivent pas toucher les fentes d'aération de la paroi latérale.

12.4 Raccordement électrique

12.4.1 Généralités



AVERTISSEMENT Électrocution

Lors du raccordement de l'appareil à un dispositif automatique de commande de charge, les bornes A1/Z1 et A2/Z2 peuvent être sous tension alors que les protections ont été enlevées !



AVERTISSEMENT Électrocution

L'autocollant de sécurité « Achtung - Fernsteuerung! [Attention - Contrôle à distance !] » sur la tôle coudée du bornier de raccordement au secteur doit être masqué en apposant dessus l'autocollant de sécurité joint dans la langue correspondant au pays.

Raccordement électrique des corps de chauffe : 3/N/PE ~ 400 V. Le kit de montage Raccordement en monophasé (accessoires) permet également un raccordement 1/N/PE ~ 230 V.

Un raccordement NYM est possible. Le nombre de câbles raccordés, le nombre de conducteurs et leur section dépendent des caractéristiques électriques de l'appareil, du type de branchement au secteur et des prescriptions du fournisseur d'énergie.

Tenez compte du schéma électrique et des niveaux de puissance (voir le chapitre « Données techniques »).

12.4.2 Raccordement de l'appareil



AVERTISSEMENT Électrocution

Il est impératif d'apporter le plus grand soin au branchement de la prise de terre.



AVERTISSEMENT Électrocution

Les câbles de raccordement ne doivent pas être endommagés, retirés ou débranchés de l'appareil.

- Posez les câbles de raccordement en fonction.



Remarque

Une tension permanente doit être appliquée sur les bornes L et N de la barrette à bornes X2.

- Installez un dispositif anti-traction sur les câbles électriques et branchez-les selon le schéma de raccordement se trouvant à l'intérieur de l'appareil (paroi latérale droite) ou le schéma électrique au chapitre « Données techniques ».

S'il s'avère difficile d'accéder au bornier de raccordement se trouvant à l'intérieur du boîtier de raccordement par manque de place sur le côté, vous pouvez le basculer vers l'avant après avoir enlevé la vis de fixation.

12.4.3 Commande sans contacteur de chauffage

Si aucun contacteur de chauffage ne doit être installé (suivant préconisation du fournisseur d'énergie), la fonction de l'électronique du radiateur à accumulation peut en faire office.

- ▶ Dans ce cas, ce sont soit les fils pilotes LF et N du fournisseur d'énergie, soit les fils pilote SH et N de la commande de charge correspondante que vous devez raccorder directement aux bornes LF/SH et N du radiateur à accumulation.
- ▶ Réglez le paramètre P15 sur 1 dans le menu de paramétrage (voir le chapitre « Installation / Menu de paramétrage »).

Les corps de chauffe ne seront alimentés que lorsque l'autorisation LF aura été donnée par le fournisseur d'électricité et que le régulateur de charge électronique aura autorisé le commencement de la charge.

12.4.4 Plaque signalétique de l'appareil

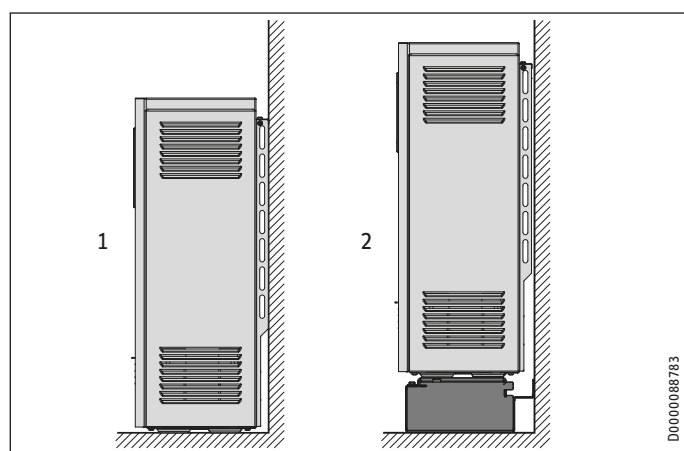


Remarque

Vous devez consigner la puissance raccordée et la durée de charge nominale.

- ▶ Cochez pour cela les cases correspondantes de la plaque signalétique.

12.5 Pose au sol



- 1 Pose au sol
- 2 Pose sur socles

La surface d'installation de l'appareil doit être plane et suffisamment solide. Référez-vous au chapitre « Données techniques / Tableau de données » pour obtenir des informations sur le poids de l'appareil. En cas de doute, adressez-vous à un expert en construction.

Les appareils peuvent être posés sur tout type de sol courant. Toutefois, des altérations peuvent apparaître sous l'effet de la pression ou de la chaleur au niveau des pieds sur les sols en PVC, les parquets et les moquettes à poils longs ou hauts. Il faut utiliser dans de tels cas des plaques de support résistantes à la chaleur (à fournir par le client).

La stabilité de l'appareil doit être assurée par fixation au sol ou au mur.

Fixation murale

Dans la paroi arrière de l'appareil, près du bornier de raccordement, un trou est prévu pour la fixation sur un mur suffisamment solide.

- ▶ Fixez l'appareil au mur avec une vis appropriée afin qu'il ne puisse pas basculer.

Fixation au sol

Vous pouvez aussi visser l'appareil au sol par les quatre trous (\varnothing 9 mm) pratiqués dans les pieds de l'appareil.

- ▶ Déposez la grille de sortie d'air, la paroi avant et le sous-ensemble de conduit d'air (voir le chapitre « Montage / Ouverture de l'appareil » et « Nettoyage de l'appareil »).
- ▶ Fixez solidement l'appareil au sol avec des vis appropriées.

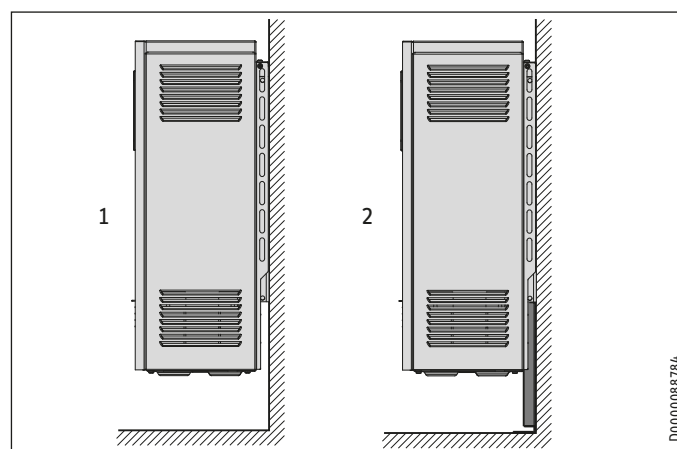
12.5.1 Pose sur socles

La console-socle Vario (accessoire) permet d'installer l'appareil sans qu'il touche le sol.

S'il est possible de fixer l'appareil à un mur suffisamment solide, il suffit de visser la console sous les pieds de l'appareil.

Si aucun mur approprié n'est disponible pour la fixation, la console doit être vissée au sol et aux pieds de l'appareil.

12.6 Variantes de pose du SHS



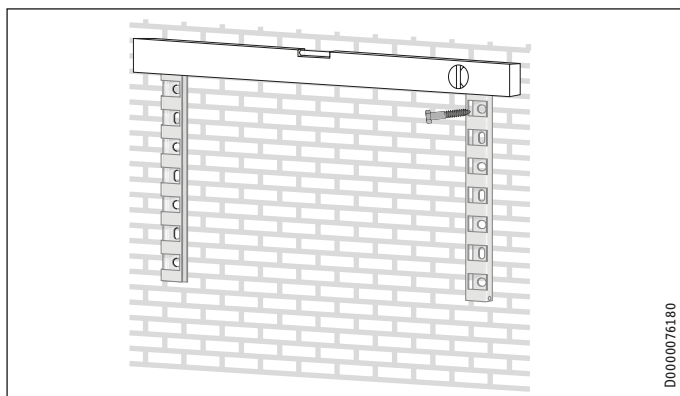
- 1 Pose sur un mur suffisamment solide avec support mural (SHS 1200-3600)
- 2 Pose sur un mur de solidité insuffisante avec console d'appui

12.6.1 Appareil suspendu au mur avec des supports muraux

Veillez noter ce qui suit pour ce type de pose :

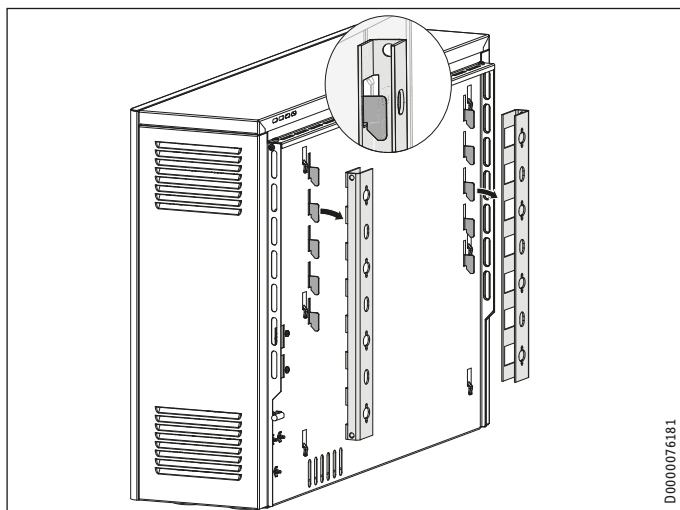
Si le mur est suffisamment solide, l'appareil peut y être fixé au moyen des supports muraux fournis. Toutefois, tenez compte des points suivants :

- SHS 1200-3600 : le support mural supporte le poids de l'appareil.
- SHS 4200-4800 : le support mural doit être renforcé au moyen d'une console d'appui (accessoire).
- Si la solidité du mur est douteuse, vous devez également utiliser en supplément une console d'appui (accessoire) pour la pose des appareils SHS 1200-3600.



D0000076180

- ▶ Dévissez les deux supports muraux au dos de l'appareil.
- ▶ Fixez les supports muraux au mur en tenant compte des distances minimales à respecter ainsi que des entraxes des trous de fixation. (Voir les chapitres « Distances minimales » et « Données techniques / Cotes et raccordements »).



D0000076181

- ▶ Accrochez l'appareil aux supports muraux.

12.7 Mise en place des briques réfractaires



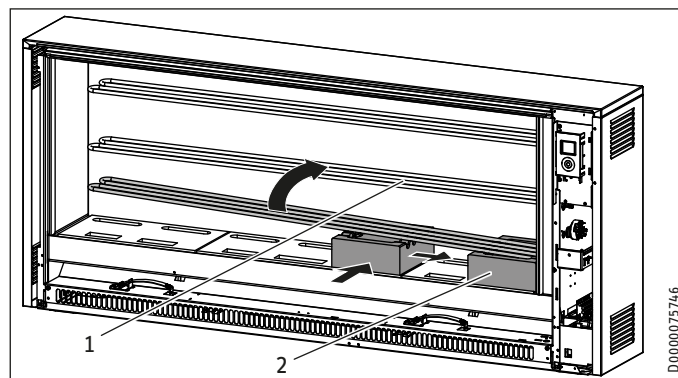
AVERTISSEMENT Brûlure
Une isolation thermique en mauvais état peut être à l'origine d'une surchauffe des parois de l'appareil.

- ▶ Vérifiez que l'isolant thermique de l'appareil n'a pas été endommagé lors du transport.
- ▶ Remplacez tout élément d'isolation thermique qui présente un défaut.

L'appareil doit être entièrement dégagé de tout élément étranger tel que des résidus d'emballage.

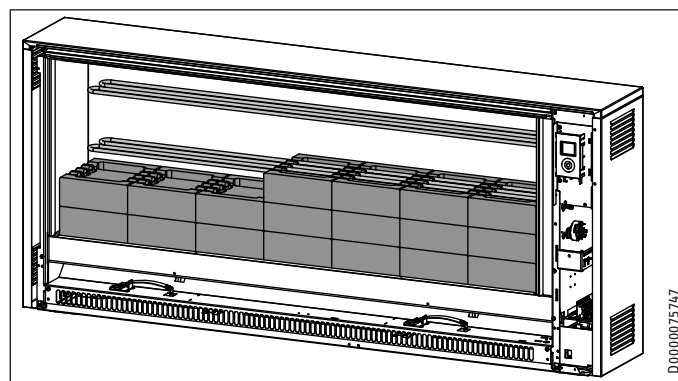
- ▶ Enlevez la tôle de recouvrement et le carton de calage se trouvant à l'intérieur de l'appareil.

Les briques réfractaires sont livrées sous un conditionnement séparé. Elles peuvent être utilisées même si elles ont été légèrement abîmées pendant le transport. Cela n'a aucune influence sur le fonctionnement de l'appareil.



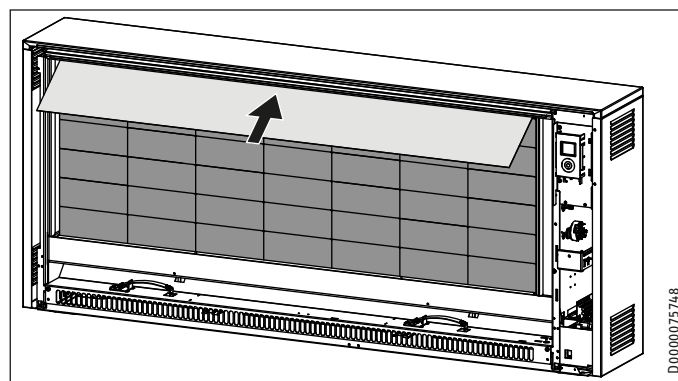
D0000075746

- 1 Corps de chauffe
 - 2 Brique réfractaire
- ▶ Soulevez légèrement les corps de chauffe pour introduire les briques.
 - ▶ Faites bien attention de ne pas agrandir les trous de passage des résistances dans l'isolation thermique latérale quand vous soulevez les corps de chauffe.
 - ▶ Placez la première brique avec le creux vers le haut sans toucher l'isolation thermique à droite.
 - ▶ Poussez la brique contre les éléments isolants de droite et de l'arrière. Les évidements forment les conduits d'air chaud.



D0000075747

- ▶ Posez les briques suivantes selon l'ordre indiqué sur l'illustration.

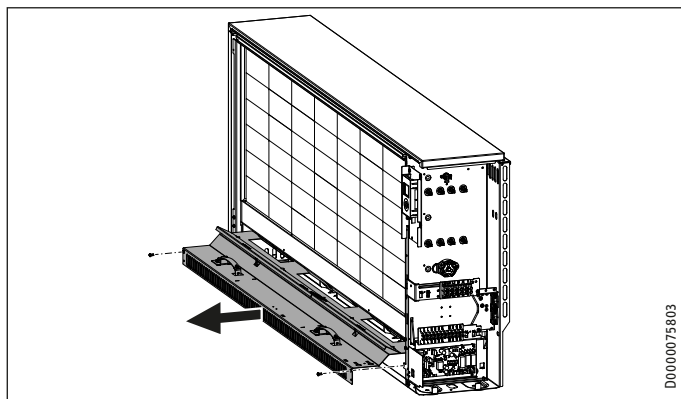


D0000075748

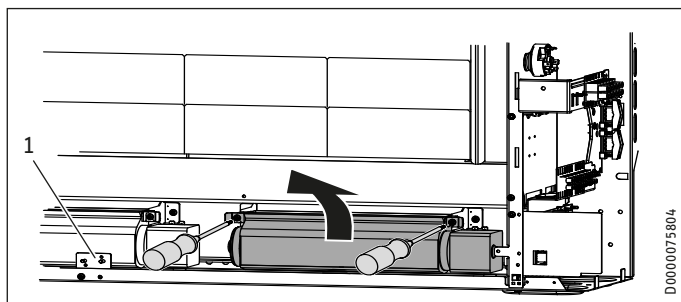
- ▶ Glissez la tôle de recouvrement que vous aviez précédemment sortie de l'intérieur de l'appareil en la faisant passer au-dessus du rang de briques supérieur.

12.8 Nettoyage de l'appareil

- Nettoyez l'appareil après l'avoir posé et après avoir installé les briques. Procédez comme suit :



- Déposez le kit de conduit d'air.



- 1 Thermostat de protection (N5)

- Soulevez la soufflante et extrayez-la de l'appareil après avoir enlevé les vis situées à l'avant de l'équerre de fixation.
- Notez l'implantation du câblage.

Sur certains appareils, il faut préalablement dévisser le thermostat de protection (N5) avec sa tôle de fixation.

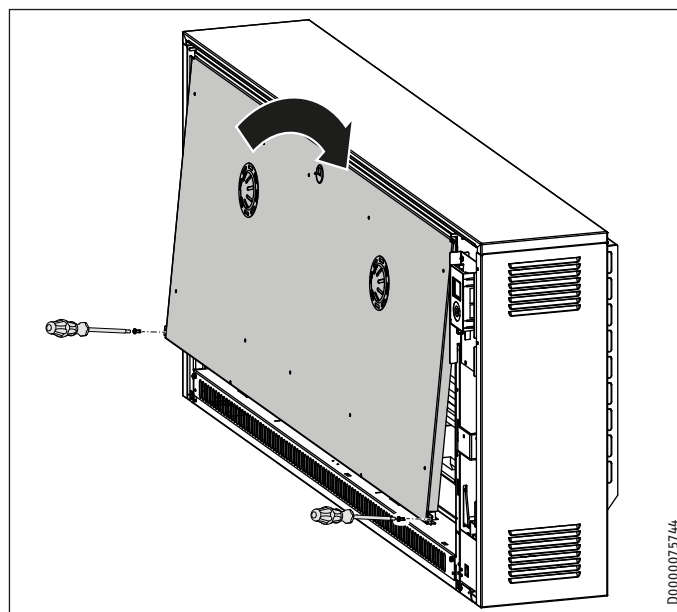


Domages matériels

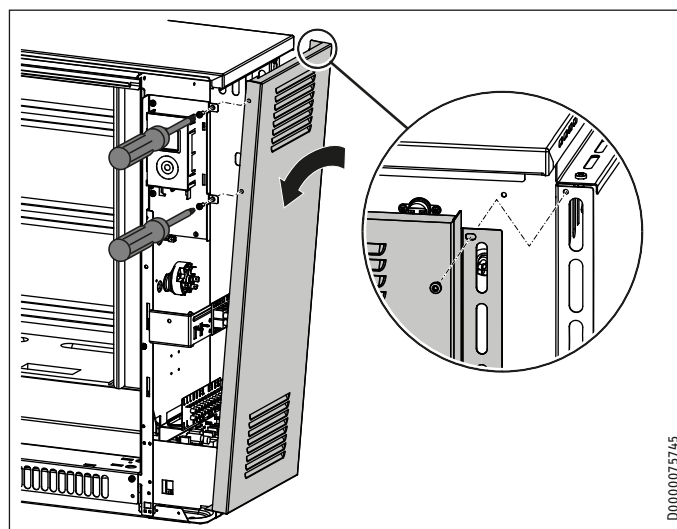
Prenez garde de ne pas détériorer les fils lors de la dépose des éléments.

- Nettoyez la tôle de fond et la soufflante. Faites bien attention de ne pas endommager les lamelles.
- Reposez ensuite la soufflante, éventuellement le thermostat de protection et le kit de conduit d'air.
- Apportez un soin particulier à l'implantation du câblage.

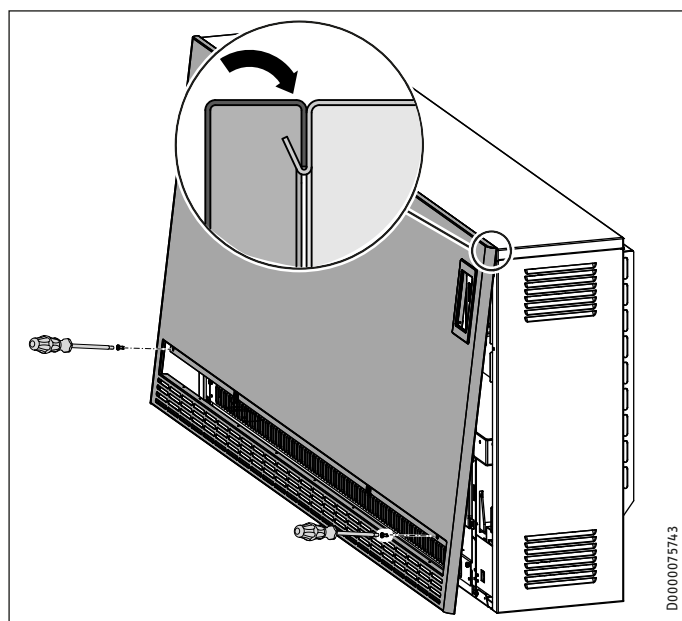
12.9 Fermeture de l'appareil



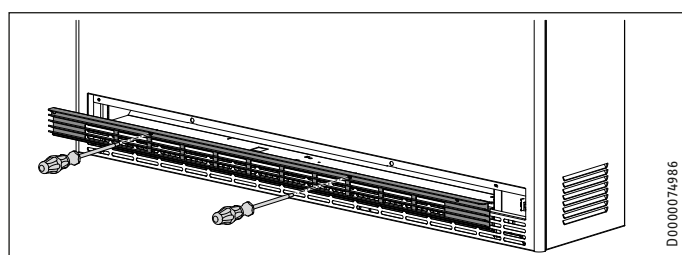
- Reposez la paroi avant intérieure.



- Insérez la paroi latérale droite en bas et basculez le haut de la paroi sur l'appareil.
- Suspendez la paroi latérale en haut au couvercle et appuyez-la vers l'arrière. Veillez à ce que la paroi latérale repose sur la tôle de fixation de l'unité de commande.
- Vissez à fond la paroi latérale à l'aide des 3 vis et rondelles crantées.



- ▶ Retirez le film de protection de l'unité de commande avant la monter la paroi avant.
- ▶ Reposez la paroi avant.
- ▶ Vissez à fond la paroi avant à l'aide des vis et rondelles crantées.



- ▶ Fixez la grille de sortie d'air en vissant les deux fermetures 1/4 de tour.

13. Menu de paramétrage

Dans le menu de paramétrage, les valeurs réelles et les paramètres sont répartis sur deux niveaux d'accès.

Niveau d'accès	Description
A0	Valeurs réelles et paramètres autorisés pour l'utilisateur de l'appareil, et donc accessibles sans code. La sélection des paramètres se fait avec les touches « + » et « - ».
A1	Après la saisie d'un code à quatre chiffres, l'accès à des valeurs réelles et des paramètres supplémentaires réservés à l'installateur est autorisé. La sélection des paramètres se fait uniquement avec la touche « + ».

Pour accéder au menu de paramétrage, maintenez la touche « Menu » enfoncée. La valeur réelle I1 s'affiche au bout de 3 secondes env.

Autoriser les valeurs réelles et les paramètres du niveau d'accès A1

- ▶ Sélectionnez la rubrique « CodE » à l'aide de la touche « + » ou « - ».
Le niveau d'accès A0 s'affiche en alternance avec cette rubrique.
- ▶ Appuyez sur la touche « OK ».
L'écran de saisie du code s'affiche. Le premier chiffre clignote.
- ▶ Saisissez le code 1000 à l'aide de la touche « + » ou « - ».
Appuyez sur la touche « OK » après chaque chiffre saisi.

Si la saisie du code est correcte, les valeurs réelles et paramètres verrouillés auparavant deviennent visibles.

Si vous souhaitez modifier la valeur d'un paramètre, sélectionnez ce dernier à l'aide de la touche « + ». Appuyez sur la touche « OK ».

Dès que le symbole « Paramètre modifiable » apparaît, vous pouvez modifier la valeur du paramètre à l'aide des touches « + » et « - ». Appuyez sur la touche « OK » pour enregistrer la valeur paramétrée.

Si vous appuyez sur la touche « Menu » ou n'effectuez aucune opération pendant plus de 10 minutes, l'appareil repasse automatiquement à l'affichage par défaut. Le blocage des paramètres est réactivé.

Affichage	Niveau d'accès	Signification	Options	Description
I1*	A0	Valeur réelle de la température ambiante [°C °F]		
I2	A0	Temps de chauffe relatif [h]		
I3	A1	Degré de charge de consigne de la prochaine charge [%]		
I4	A1	Degré de charge réel [%]		
Pro1*	A0	Programme Pro1		
Pro2*	A0	Programme Pro2		
Pro3*	A0	Programme Pro3		
P1*	A0	Décalage température ambiante	±3 °C ±5 °F	
P2*	A0	Format de l'heure	12 h 24 h	
P3*	A0	Unité de température	°C °F	
P4*	A0	Réinitialisation des programmes	on off	
P5	A0	Réinitialisation du temps de chauffe relatif	on off	

Affichage Niveau d'accès	Signification	Options	Description
P6 A1	Signal pilote SL	0	Entrée SL désactivé (réglage d'usine) : Le régulateur de température ambiante intégré assure le pilotage du ventilateur.
		1	Entrée SL activée : Le pilotage du ventilateur est assuré par un régulateur de température ambiante à 2 positions monté au mur.
P7* A1	Type de pilotage du ventilateur	0	Régulation à deux positions : Le régulateur de température ambiante intégré enclenche et arrête le ventilateur en fonction des besoins en chaleur.
		1	Régulation proportionnelle (réglage d'usine) : Le régulateur de température ambiante intégré adapte en continu la vitesse de rotation des moteurs du ventilateur aux besoins en chaleur.
P8 A1	Abaisser la température de coupure	100 %	En combinaison avec la puissance d'alimentation variable, le régulateur de charge électronique peut être réglé sur quatre niveaux de charge différents. Le réglage d'usine est 100 % (pas de réduction). Si un autre réglage est choisi, cela entraîne une réduction du degré de charge (la température de coupure du régulateur de charge électronique est abaissée). Voir le chapitre « Données techniques / Réduction de la puissance d'alimentation en conservant la durée de charge nominale ».
		90 %	
		80 %	
		70 %	
P12 A1	Chauffage d'appoint (accessoire)	0	Si aucun chauffage d'appoint n'est installé dans l'appareil (réglage d'usine).
		1	Activation du chauffage d'appoint installé dans l'appareil.
P14 A1	Source du degré de charge de consigne	1	La régulation de l'accumulation ne s'effectue que par le dispositif d'abaissement du niveau de charge.
		2	Le câble pilote de charge est raccordé à un signal pilote CA (réglage d'usine). Système à FM et réaction aux défauts réglables par les paramètres P17 et P18.
		3	Le câble pilote de charge est raccordé à un signal pilote CC. Réaction aux défauts réglable par le paramètre P18.
		4	La régulation de la charge pilotée par la température ambiante détermine le niveau de charge. Activation de la charge sélectionnable par le paramètre P15 (P15=1 ou P15=3).
P15 A1	Source de l'autorisation heures creuses	0	Autorisation permanente (réglage d'usine) : Les radiateurs se mettent en marche dès que le contacteur de chauffage et le régulateur de charge électronique autorisent la charge.
		1	Autorisation par signal matériel LF : Les radiateurs se mettent en marche uniquement après autorisation LF de la société distributrice d'électricité et si le régulateur de charge électronique autorise la charge. Le signal LF du four-nisseur d'énergie doit être raccordé à la borne LF/SH.
		3	Autorisation par horloge interne : Les radiateurs se mettent en marche uniquement après autorisation de l'horloge interne et si le régulateur de charge électronique autorise la charge. Une seule autorisation est possible toutes les 24 heures. Le paramètre P19 permet de régler l'heure de début de l'autorisation et le paramètre P20 la durée de charge.
P17 A1	Système à facteur de marche	30 % - 80 %	Le câble pilote de charge doit être raccordé à un signal pilote CA (signal de tension alternative aux bornes A1 et A2). Le régulateur de charge électronique de l'appareil peut fonctionner avec les commandes de charge de systèmes à facteur de marche de 80 %, 72 %, 68 %, 40 % et 37 %. Le réglage d'usine est prévu pour des systèmes à facteur de marche de 80 %. Si l'appareil est utilisé avec d'autres systèmes à facteur de marche, ce paramètre doit être réglé sur le pourcentage correspondant.
P18 A1	Réaction aux défauts	0	L'appareil est réglé sur « Réponse négative aux défauts » (pas de charge du radiateur à accumulation en cas de commande de charge défectueuse). Ce réglage est uniquement possible avec les commandes de charge numériques. Dans le cas des commandes de charge CA, un signal de facteur de marche de 80 % est nécessaire en supplément.
		1	L'appareil est réglé sur « Réponse positive aux défauts » (réglage d'usine). En cas de commande de charge défectueuse (par exemple défaillance du signal pilote), l'appareil bénéficie d'une charge intégrale.
P19 A1	Réglage de l'heure de début de l'autorisation avec l'horloge	- :- -	Régler l'heure de début de l'autorisation de charge avec l'horloge interne. Le réglage d'usine est 00h00. Lors de la programmation de l'heure de début, vérifiez que l'heure et le jour de la semaine réglés sont corrects.
P20 A1	Réglage de la durée de l'autorisation avec l'horloge	00h00 - 22h00	Régler la durée de l'autorisation de charge avec l'horloge interne. Le réglage d'usine est 8 heures. La durée de charge maximale s'élève à 22 heures.

* Apparaît uniquement lorsque le pilotage du ventilateur est assuré par le régulateur de température ambiante intégré.

14. Mise en service

14.1 Contrôles avant la mise en service

Vous pouvez effectuer un test de fonctionnement avant la mise en service. Appelez le mode de mise en service dans le menu de paramétrage.

- ▶ Pour accéder au menu de paramétrage, maintenez la touche « Menu » appuyée pendant 3 secondes.

Autorisez tout d'abord le niveau d'accès A1 réservé à l'installateur.

- ▶ Ouvrez la rubrique « CodE » du menu à l'aide de la touche « + » ou « - ».
- ▶ Appuyez sur la touche « OK ».
La saisie du code s'affiche. Le premier chiffre clignote.
- ▶ Saisissez le code 1000 à l'aide de la touche « + » ou « - ».
Appuyez sur la touche « OK » après chaque chiffre saisi.
- ▶ Après avoir saisi le code correct, appelez la valeur réelle I4 à l'aide de la touche « + ».
- ▶ Pour accéder au menu de mise en service, maintenez les touches « Menu » et « + » appuyées pendant 3 secondes environ.

Une première charge a lieu en mode de mise en service. La quantité d'accumulation correspond au réglage sur le dispositif d'abaissement du degré de charge. La progression de la charge apparaît en pourcentage dans l'affichage.



Remarque

- Il n'y a pas de charge si le dispositif d'abaissement du degré de charge est réglé sur 0 %.
- Une fois la quantité d'accumulation atteinte, l'appareil quitte automatiquement le mode de mise en service.

- ▶ Vérifiez le fonctionnement de la soufflante en activant l'auto-risation de la soufflante avec la touche « Ventilateur ».
- ▶ Pour quitter le menu de mise en service, maintenez les touches « Menu » et « - » appuyées pendant 3 secondes environ.

14.2 Première mise en service

Cet appareil peut être directement mis en service, une fois le montage terminé.

- ▶ Réglez la charge avec le dispositif d'abaissement du degré de charge ou par la commande de charge.

14.2.1 Réalisation d'une charge

Une odeur peut se dégager lors de la première charge.

- ▶ Veillez à aérer suffisamment la pièce. Si une fenêtre est entrouverte, vous pouvez atteindre p. ex. un taux de renouvellement d'air de 1,5 fois.

Si l'appareil se trouve dans une chambre à coucher, la première charge ne doit pas avoir lieu alors que des personnes y dorment.

15. Transformation de l'appareil

Pour les travaux de transformation, d'ajout d'équipement et d'encastrement, c'est la notice du kit de montage correspondant qui doit être respectée.

16. Remise de l'appareil à l'utilisateur

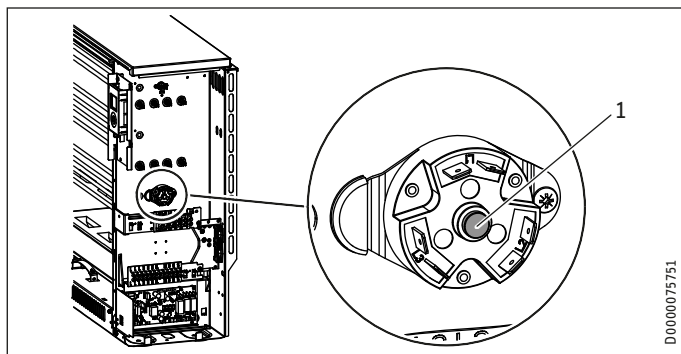
Expliquez les différentes fonctions de l'appareil à l'utilisateur. Attirez particulièrement son attention sur les consignes de sécurité. Remettez ces notices d'utilisation et d'installation à l'utilisateur.

17. Aide au dépannage

17.1 Tableau des pannes

Défaut	Cause	Remède
L'appareil ne chauffe pas.	Le pilotage par le contacteur du corps de chauffe ne fonctionne pas correctement.	Contrôlez la commande du contacteur du corps de chauffe.
	Pas d'alimentation électrique du radiateur à accumulation.	Contrôlez le fusible dans l'armoire électrique principale.
	Pas d'alimentation électrique du régulateur de charge.	Contrôlez l'alimentation électrique. Voir chapitres « Raccordement électrique » et / ou « Données techniques ».
	Le limiteur de sécurité (F1) s'est déclenché.	Réarmez le limiteur de température (voir chapitre « Réarmement du limiteur de sécurité »).
	La commande de charge est mal réglée.	Vérifiez les réglages de la commande de charge.
	Le régulateur de charge fonctionne incorrectement.	Contrôlez les réglages des paramètres P14, P15, P17 et P18 dans le menu de paramétrage (voir le chapitre « Installation / Menu de paramétrage »).
L'appareil charge trop alors que la température extérieure est douce (si utilisation d'une commande de charge).	La transmission du signal pilote est interrompue.	Vérifiez que le signal pilote de charge est appliqué au radiateur à accumulation.
	La courbe de chauffe est mal réglée.	Vérifiez les réglages de la commande de charge
	La sonde de température extérieure est défectueuse.	Testez la sonde de température extérieure et remplacez-la si besoin est.
L'appareil charge trop alors que la température extérieure est douce (avec réglage manuel de charge).	Le régulateur de charge émet un signal pilote erroné.	Contrôlez les réglages des paramètres P17 et P18 dans le menu de paramétrage (voir le chapitre « Installation / Menu de paramétrage »).
	Réglages du dispositif d'abaissement du degré de charge sur le radiateur à accumulation.	Vérifiez le réglage du dispositif d'abaissement du degré de charge.
La pièce est toujours trop chaude le soir avec la régulation de la charge pilotée par la température ambiante.	Le niveau de charge de l'appareil est trop élevé.	Abaissez le niveau de charge de l'appareil au moyen du dispositif d'abaissement du degré de charge.
L'appareil ne restitue pas la chaleur.	Les ventilateurs ne fonctionnent pas.	Vérifiez : ... les réglages du paramètre P6 dans le menu de paramétrage (voir le chapitre « Installation / Menu de paramétrage ») ; ... que l'autorisation de la soufflante est activée ; ... que la tension du ventilateur est appliquée au radiateur à accumulation.
	Le filtre à peluches de l'arrivée d'air est obstrué.	Nettoyez le filtre à peluches. Voir le chapitre « Nettoyage, entretien et maintenance ». Vérifiez si l'arrivée d'air n'est pas entravée, p. ex. par la présence de tapis à poils hauts. Vérifiez que le thermostat de protection de la sortie d'air (N5) ne s'est pas déclenché.
L'écran affiche le code d'erreur « E1 ».	La sonde d'ambiance est défectueuse.	Testez la sonde d'ambiance et remplacez-la si besoin est.
L'écran affiche le code d'erreur « E2 ».	La sonde de température au cœur est défectueuse.	Testez la sonde de température au cœur de l'appareil et remplacez-la si besoin est.
L'écran affiche le code d'erreur « E3 ».	Les pôles du pilote CC sont inversés.	Vérifiez le branchement du pilote CC.

17.1.1 Activer le limiteur de sécurité (F1)








1 Bouton de réarmement du limiteur de sécurité

Le limiteur de sécurité peut être réactivé après élimination du défaut en appuyant le bouton de réarmement.

17.2 Symboles de la plaque signalétique



Symboles de la plaque signalétique (exemple SHF 7000)

-  Poids total
-  Réalisation d'une charge
-  Décharge (restitution)
-  Chauffage d'appoint
-  Ventilateur

18. Entretien et maintenance

Le conduit de soufflante situé derrière la grille de sortie d'air doit être vérifié tous les deux ans. Il peut être sujet à de légers encrassements.



Remarque

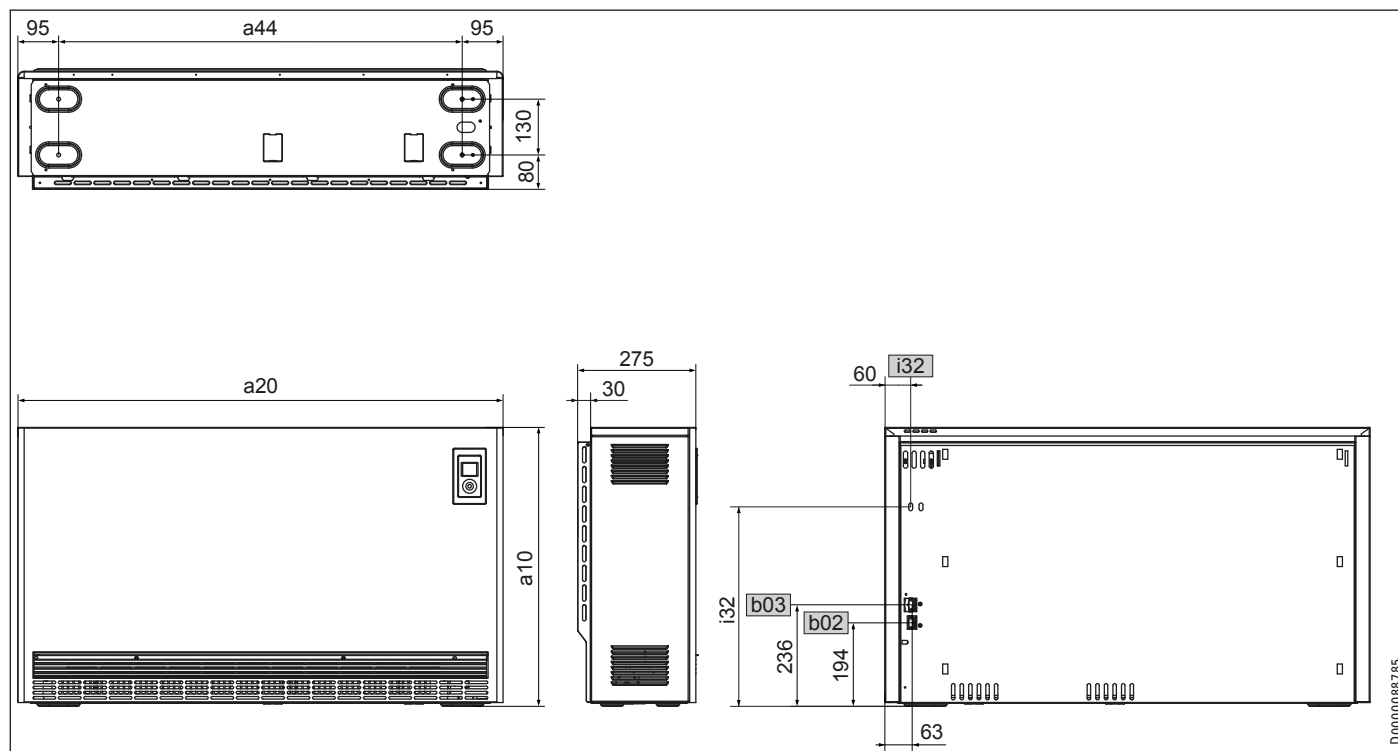
Nous recommandons de faire vérifier les dispositifs de contrôle et de régulation lors des visites de maintenance régulières.

- Faites appel à un professionnel au plus tard 10 ans après la première mise en service pour qu'il vérifie les dispositifs de sécurité, de contrôle et de régulation, ainsi que l'ensemble du système de commande de charge et décharge.

19. Données techniques

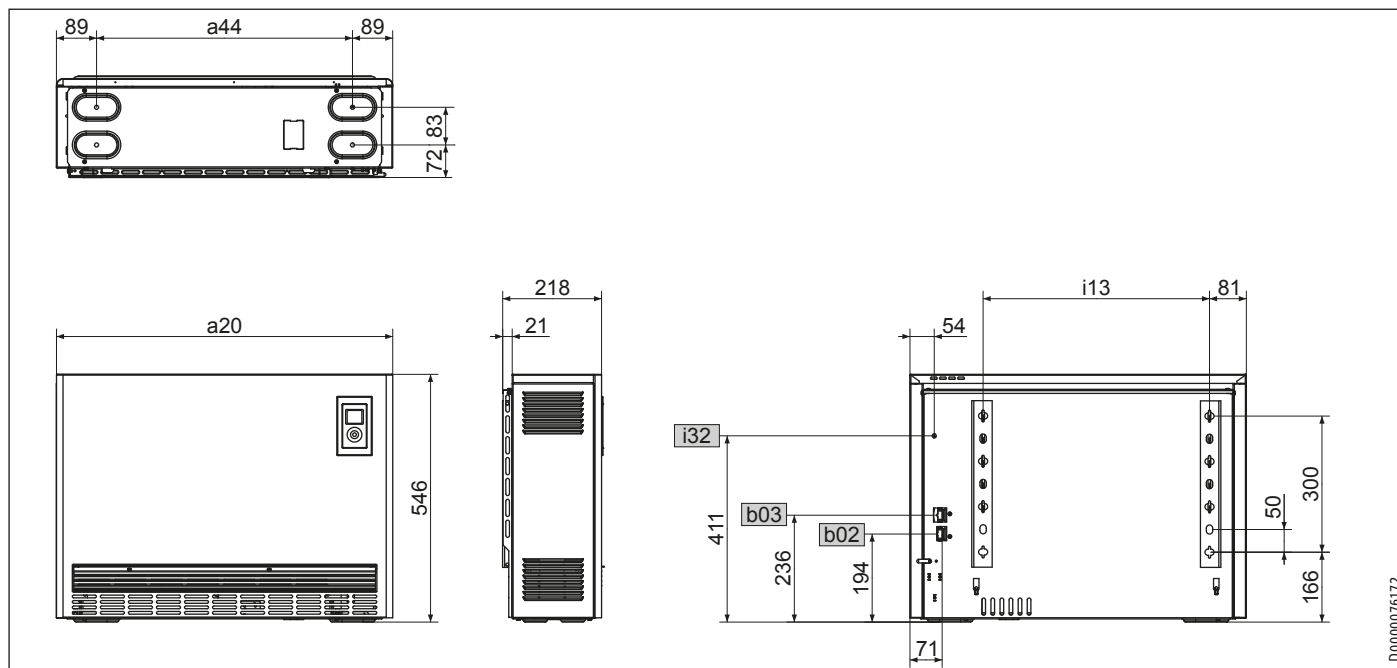
19.1 Cotes et raccords

SHF | SHL



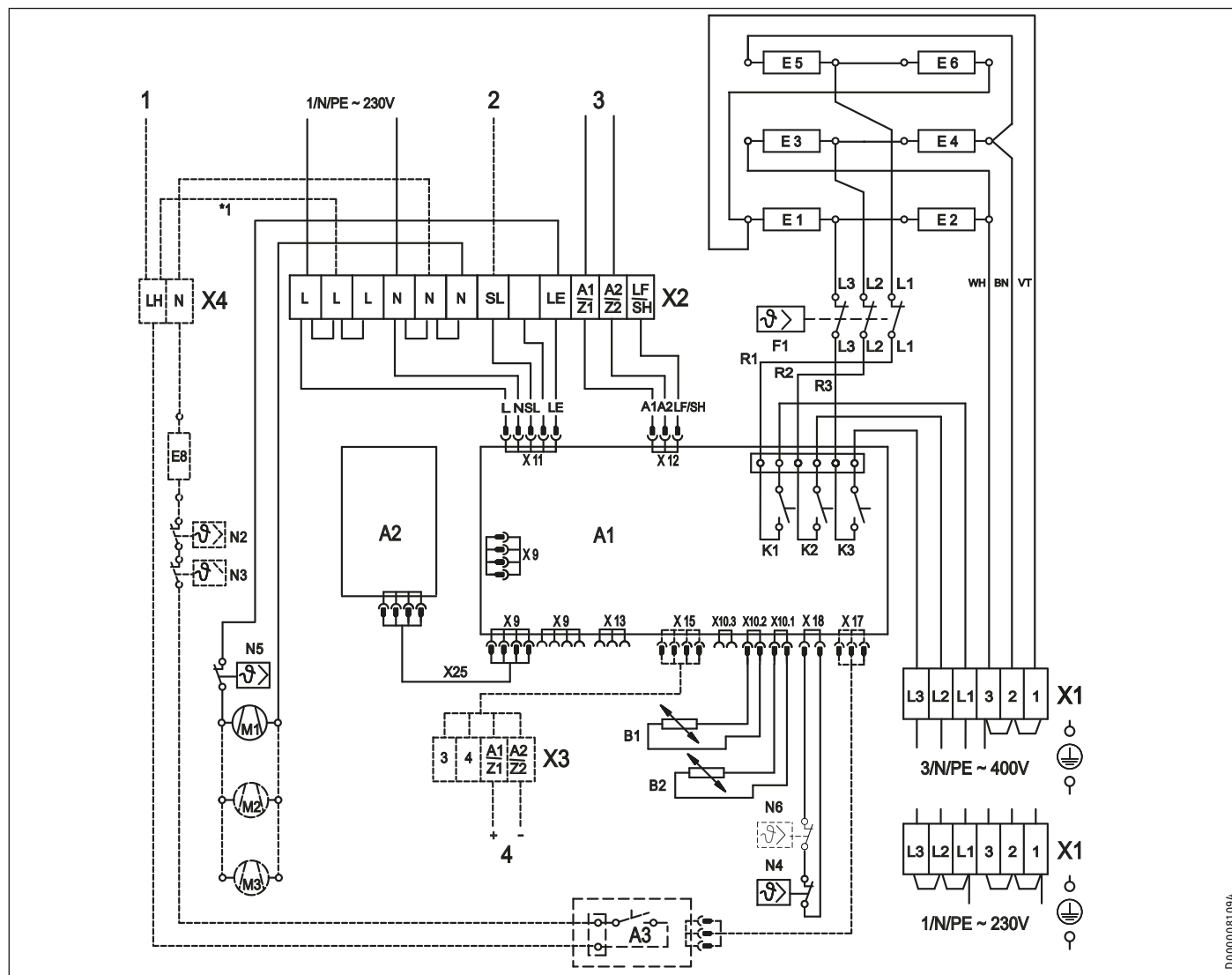
			SHF 2000	SHF 3000	SHF 4000	SHF 5000	SHF 6000	SHF 7000	SHL 3500	SHL 5000
a10	Appareil	Hauteur	mm	650	650	650	650	650	490	490
a20	Appareil	Largeur	mm	605	780	955	1130	1305	1130	1480
a44	Appareil	Distance entre pieds	mm	415	590	765	940	1115	940	1290
b02	Passage des câbles électriques I									
b03	Passage des câbles électriques II									
i32	Fixation	Hauteur	mm	464	464	464	464	464	306	306

SHS



			SHS 1200	SHS 1800	SHS 2400	SHS 3000	SHS 3600	SHS 4200	SHS 4800	
a20	Appareil	Largeur	mm	580	741	902	1063	1224	1385	1546
a44	Appareil	Distance entre pieds	mm	402	563	724	885	1046	1207	1368
b02	Passage des câbles électriques I									
b03	Passage des câbles électriques II									
i13	Support mural	Écartement horizontal des trous	mm	337,5	498,5	659,5	820,5	981,5	1142,5	1303,5
i32	Fixation									

19.2 Schéma électrique



Partie accumulateur

- A1 Régulateur électronique de charge et de décharge
- A2 Système électronique de l'interface utilisateur
- B1 Sonde centrale - charge
- B2 Sonde d'ambiance - décharge
- F1 Limiteur de température de sécurité
- E1 - E6 Corps de chauffe
- M1 - M3 Soufflante du radiateur à accumulation
- N4 Limiteur de température - charge
- N5 Thermostat de protection
- N6 Limiteur de température - degré de charge uniquement SHF 6000-7000, SHS 3000-4800, SHL 5000
- X25 Câblage interne A1 - A2
- X1 Bornier de raccordement au secteur
- X2 Bornier de raccordement

Accessoires

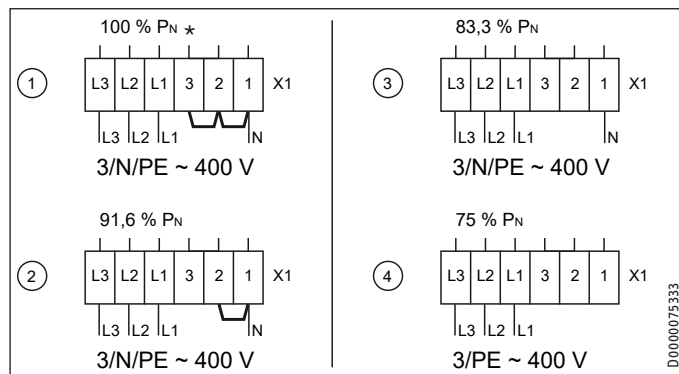
(non compris à la livraison. Cochez la case correspondant à l'accessoire intégré à l'appareil.)

- Raccordement CC**
- X3 Borne de raccordement CC (0,91 - 1,43 V)
- Chauffage d'appoint** (commande interne)
*1 / fil conducteur LH - L
- Chauffage d'appoint** (commande externe)
- A3 Relais de résistance d'appoint du module
- E8 Résistances d'appoint
- N2 Thermostat - chauffage d'appoint
- N3 Thermostat - chauffage d'appoint
- X4 Bornier de raccordement

Connexions

- 1 (LH) Chauffage d'appoint, pilotage externe (LH)
- 2 (SL) Ventilateur, pilotage externe (LE)
- 3 (A1/A2) Commande de charge CA, système 230 V
- 4 (A1/A2) Commande de charge CC, système à très basse tension de sécurité

19.3 Réduire la puissance raccordée en augmentant la durée de charge nominale



* Câblage de série

SHF | SHS

Variantes de puissance

Variantes de raccordement	①	②	③	④
Puissances de raccordement	100 %	91,6 %	83,3 %	75 %
Durée de charge nominale	8 h	9 h	10 h	-

Types

Types	kW	①	②	③	④
SHF 2000	kW	2,00	1,83	1,67	1,50
SHF 3000	kW	3,00	2,75	2,50	2,25
SHF 4000	kW	4,00	3,66	3,33	3,00
SHF 5000	kW	5,00	4,58	4,16	3,75
SHF 6000	kW	6,00	5,50	5,00	4,50
SHF 7000	kW	7,00	6,42	5,83	5,25
SHS 1200	kW	1,20	1,10	1,00	0,90
SHS 1800	kW	1,80	1,65	1,50	1,35
SHS 2400	kW	2,40	2,20	2,00	1,80
SHS 3000	kW	3,00	2,76	2,49	2,25
SHS 3600	kW	3,60	3,30	3,00	2,70
SHS 4200	kW	4,20	3,86	3,51	3,15
SHS 4800	kW	4,80	4,40	4,00	3,60

SHL

Variantes de puissance

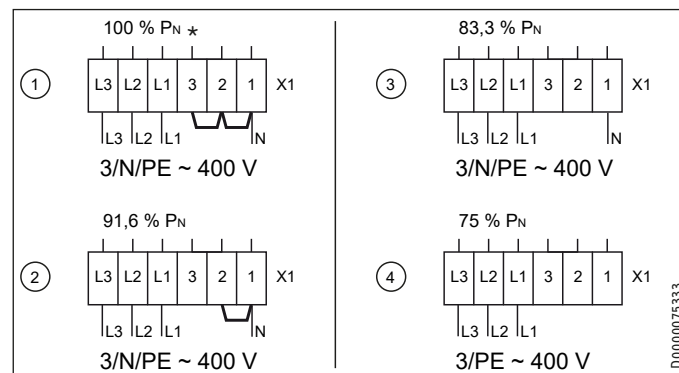
Variantes de raccordement	①	②	③	④
Puissances de raccordement	100 %	91,6 %	83,3 %	75 %
Durée de charge nominale	7 h	8 h	9 h	10 h

Types

Types	kW	①	②	③	④
SHL 3500	kW	3,50	3,21	2,92	2,63
SHL 5000	kW	5,00	4,58	4,16	3,75

19.4 Réduction de la puissance d'alimentation en conservant la durée de charge nominale

- Durée de charge nominale SHL : 7 heures
- Durée de charge nominale SHF | SHS : 8 heures



* Câblage de série

Variantes de puissance

Variantes de raccordement	①	②	③	④
Puissances de raccordement	100 %	91,6 %	83,3 %	75 %
Degrés de charge à sélectionner via le paramètre P8	100 %	90 %	80 %	70 %

19.5 Indications relatives à la consommation énergétique

Les caractéristiques du produit sont conformes aux prescriptions de la directive UE sur l'écoconception applicable aux produits liés à l'énergie (ErP).

Informations produit sur les dispositifs de chauffage décentralisés selon la directive (UE) 2015/1188

		SHF 2000	SHF 3000	SHF 4000	SHF 5000	SHF 6000	SHF 7000	SHL 3500	SHL 5000
		200175	200176	200177	200178	200179	200180	200304	200305
Fabricant		STIEBEL ELTRON	STIEBEL ELTRON	STIEBEL ELTRON	STIEBEL ELTRON	STIEBEL ELTRON	STIEBEL ELTRON	STIEBEL ELTRON	STIEBEL ELTRON
Puissance calorifique									
Puissance calorifique nominale P_{nom}	kW	1,0	1,5	2,0	2,5	3,0	3,5	1,5	2,2
Puissance calorifique minimale (indicative) P_{min}	kW	0,0	0,0	0,0	0,0	0,0	0,0	0,0	0,0
Puissance calorifique maximale en continu $P_{max,c}$	kW	1,3	2,3	3,0	3,5	4,3	4,9	2,7	3,9

		SHS 1200	SHS 1800	SHS 2400	SHS 3000	SHS 3600	SHS 4200	SHS 4800	
		200181	200182	200183	200184	200185	200186	200187	
Fabricant		STIEBEL ELTRON	STIEBEL ELTRON	STIEBEL ELTRON	STIEBEL ELTRON	STIEBEL ELTRON	STIEBEL ELTRON	STIEBEL ELTRON	
Puissance calorifique									
Puissance calorifique nominale P_{nom}	kW	0,6	0,9	1,2	1,5	1,8	2,1	2,4	
Puissance calorifique minimale (indicative) P_{min}	kW	0,0	0,0	0,0	0,0	0,0	0,0	0,0	
Puissance calorifique maximale en continu $P_{max,c}$	kW	1,0	1,5	1,8	2,2	2,6	2,8	3,7	

Consommation courant auxiliaire									
En puissance calorifique nominale $e_{l,max}$	kW	0,000	0,000	0,000	0,000	0,000	0,000	0,000	0,000
En puissance calorifique minimale $e_{l,min}$	kW	0,000	0,000	0,000	0,000	0,000	0,000	0,000	0,000
En veille $e_{l,B}$	kW	0,000	0,000	0,000	0,000	0,000	0,000	0,000	0,000
Type de régulation de l'apport thermique									
Régulation manuelle de l'apport thermique avec thermostat intégré		-	-	-	-	-	-	-	-
Régulation manuelle de l'apport thermique avec retour d'information de la température ambiante et/ou extérieure		-	-	-	-	-	-	-	-
Régulation électronique de l'apport thermique avec retour d'information de la température ambiante et/ou extérieure		x	x	x	x	x	x	x	x
Restitution de chaleur à l'aide de ventilateurs-convecteurs		x	x	x	x	x	x	x	x
Type de puissance calorifique / contrôle de la température ambiante									
Puissance calorifique mono allure, pas de contrôle de la température ambiante		-	-	-	-	-	-	-	-
Une ou deux allures de chauffe réglables manuellement, pas de contrôle de la température ambiante		-	-	-	-	-	-	-	-
Contrôle de la température ambiante par thermostat mécanique		-	-	-	-	-	-	-	-
Avec contrôle de la température ambiante électronique		-	-	-	-	-	-	-	-
Contrôle de la température ambiante électronique et régulation en fonction de l'heure		-	-	-	-	-	-	-	-
Contrôle de la température ambiante électronique et régulation en fonction du jour de la semaine		x	x	x	x	x	x	x	x
Autres options de régulation									
Contrôle de la température ambiante avec détection de présence		-	-	-	-	-	-	-	-
Contrôle de la température ambiante avec détection de fenêtre ouverte		x	x	x	x	x	x	x	x
Avec option de commande à distance		-	-	-	-	-	-	-	-
Avec démarrage adapté du chauffage		x	x	x	x	x	x	x	x
Avec limitation du temps de fonctionnement		-	-	-	-	-	-	-	-
Avec sonde de température sphérique à boule noire		-	-	-	-	-	-	-	-

INSTALLATION

Données techniques

19.6 Tableau des données

SHF | SHL

		SHF 2000	SHF 3000	SHF 4000	SHF 5000	SHF 6000	SHF 7000	SHL 3500	SHL 5000
		200175	200176	200177	200178	200179	200180	200304	200305
Données électriques									
Puissance raccordée	W	2000	3000	4000	5000	6000	7000	3500	5000
Tension nominale	V	400	400	400	400	400	400	400	400
Phases		3/N/PE	3/N/PE	3/N/PE	3/N/PE	3/N/PE	3/N/PE	3/N/PE	3/N/PE
Fréquence	Hz	50/-	50/-	50/-	50/-	50/-	50/-	50/-	50/-
Charge nominale	kWh	16	24	32	40	48	56	28	40
Chauffage électrique d'appoint	kW	0,35	0,50	0,80	1,00	1,20	1,50	1,00	1,50
Données énergétiques									
Taux d'utilisation annuelle du chauffage des locaux η_s	%	39,5	39,5	39,5	39,5	39,5	39,5	39,5	39,5
Dimensions									
Hauteur	mm	650	650	650	650	650	650	490	490
Largeur	mm	605	780	955	1130	1305	1480	1130	1480
Profondeur	mm	275	275	275	275	275	275	275	275
Poids									
Poids	kg	32	40	48	56	64	72	55	71
Poids (briques comprises)	kg	118	169	220	271	322	373	189	259
Versions									
Couleur		blanc alpin	blanc alpin	blanc alpin	blanc alpin	blanc alpin	blanc alpin	blanc alpin	blanc alpin
Valeurs									
Réduction du degré de charge, 4 niveaux		100/90/80/70	100/90/80/70	100/90/80/70	100/90/80/70	100/90/80/70	100/90/80/70	100/90/80/70	100/90/80/70
Capacité calorifique	%	47	52	55	56	59	60	49	50
Bruits de fonctionnement	dB(A)	30	32	33	34	34	34	34	35
Références commerciales									
Nombre de paquets de briques		6	9	12	15	18	21	10	14

SHS

		SHS 1200	SHS 1800	SHS 2400	SHS 3000	SHS 3600	SHS 4200	SHS 4800	
		200181	200182	200183	200184	200185	200186	200187	
Données électriques									
Puissance raccordée	W	1200	1800	2400	3000	3600	4200	4800	
Tension nominale	V	400	400	400	400	400	400	400	
Phases		3/N/PE	3/N/PE	3/N/PE	3/N/PE	3/N/PE	3/N/PE	3/N/PE	
Fréquence	Hz	50/-	50/-	50/-	50/-	50/-	50/-	50/-	
Charge nominale	kWh	9,6	14,4	19,2	24,0	28,8	33,6	38,4	
Chauffage électrique d'appoint	kW	0,35	0,50	0,80	1,00	1,20	1,50	1,70	
Données énergétiques									
Taux d'utilisation annuelle du chauffage des locaux η_s	%	39,5	39,5	39,5	39,5	39,5	39,5	39,5	
Dimensions									
Hauteur	mm	546	546	546	546	546	546	546	
Largeur	mm	580	741	902	1063	1224	1385	1546	
Profondeur	mm	218	218	218	218	218	218	218	
Poids									
Poids	kg	24	30	37	43	50	57	63	
Poids (briques comprises)	kg	74	106	138	169	201	233	265	
Versions									
Couleur		blanc alpin	blanc alpin	blanc alpin	blanc alpin	blanc alpin	blanc alpin	blanc alpin	
Valeurs									
Réduction du degré de charge, 4 niveaux		100/90/80/70	100/90/80/70	100/90/80/70	100/90/80/70	100/90/80/70	100/90/80/70	100/90/80/70	
Capacité calorifique	%	39	44	46	48	49	51	51	
Bruits de fonctionnement	dB(A)	29	28,5	31	32	32	32	32	
Références commerciales									
Nombre de paquets de briques		6	9	12	15	18	21	24	

Garantie

Les conditions de garantie de nos sociétés allemandes ne s'appliquent pas aux appareils achetés hors d'Allemagne. Au contraire, c'est la filiale chargée de la distribution de nos produits dans le pays qui est seule habilitée à accorder une garantie. Une telle garantie ne pourra cependant être accordée que si la filiale a publié ses propres conditions de garantie. Il ne sera accordé aucune garantie par ailleurs.

Nous n'accordons aucune garantie pour les appareils achetés dans des pays où aucune filiale de notre société ne distribue nos produits. D'éventuelles garanties accordées par l'importateur restent inchangées.

Environnement et recyclage

► Après usage, procédez à l'élimination des appareils et des matériaux conformément à la réglementation nationale.



► Si un symbole de poubelle barrée est reproduit sur l'appareil, apportez-le à un point de collecte communal ou un point de reprise du commerce pour qu'il y soit réutilisé ou recyclé.

Petits appareils électriques



Points de collecte sur www.quefairedemesdechets.fr

Gros électroménager (livraison individuelle sur palette)



Points de collecte sur www.quefairedemesdechets.fr

Documentation papier



BIJZONDERE INFO

BEDIENING

1. Algemene aanwijzingen	60
1.1 Veiligheidsaanwijzingen	60
1.2 Andere aandachtspunten in deze documentatie	61
1.3 Info op het toestel	61
1.4 Meeteenheden	61
1.5 Afbeeldingen	61
2. Veiligheid	61
2.1 Reglementair gebruik	61
2.2 Algemene veiligheidsaanwijzingen	61
2.3 Keurmerk	62
3. Toestelbeschrijving	62
4. Bediening	62
4.1 Bedieningseenheid	62
4.2 Warmteopslag	63
4.3 Warmteafgifte	64
5. Instellingen bij geïntegreerde kamerthermostaat	64
5.1 Standaardweergave	65
5.2 Basismenu	65
5.3 Configuratiemenu	65
6. Instellingen bij een aan de wand gemonteerde kamerthermostaat	67
6.1 Standaardweergave	67
6.2 Basismenu	67
6.3 Configuratiemenu	67
7. Reiniging, verzorging en onderhoud	68
7.1 De pluizenzeef reinigen	68
8. Problemen verhelpen	68

INSTALLATIE

9. Veiligheid	69
9.1 Algemene veiligheidsaanwijzingen	69
9.2 Voorschriften, normen en bepalingen	69
10. Toestelbeschrijving	69
10.1 Werkwijze	69
10.2 Leveringsomvang	70
10.3 Toebehoren	70
11. Voorbereidingen	70
11.1 Montageplaats	70
11.2 Minimumafstanden	70
12. Montage	70
12.1 Toestel openen	70
12.2 Opladregeling instellen	71
12.3 Netaansluiting/aansluitkabels	71
12.4 Elektrische aansluiting	72
12.5 Vloermontage	72
12.6 Montagevarianten SHS	73
12.7 Accumulatorstenen plaatsen	73
12.8 Het toestel reinigen	74
12.9 Het toestel sluiten	75
13. Configuratiemenu	76

14. Ingebruikname	77
14.1 Controle voor de opstart	77
14.2 Eerste ingebruikname	77
15. Het toestel ombouwen	78
16. Overdracht	78
17. Storingen verhelpen	78
17.1 Storingstabel	78
17.2 Symbolen op het typeplaatje	79
18. Onderhoud en reiniging	79
19. Technische gegevens	80
19.1 Afmetingen en aansluitingen	80
19.2 Schakelschema	82
19.3 Aansluitvermogen verlagen met verhoging van de nominale oplaadduur	83
19.4 Aansluitvermogen verlagen met inachtneming van de nominale oplaadduur	83
19.5 Gegevens over het energieverbruik	84
19.6 Gegevenstabel	85

GARANTIE

MILIEU EN RECYCLING

BIJZONDERE INFO

- Bewaar deze bedienings- en installatiehandleiding zorgvuldig, zodat deze beschikbaar is, indien nodig.
- Houd kinderen jonger dan 3 jaar uit de buurt van het toestel, wanneer er niet voortdurend toezicht is.
- Het toestel kan door kinderen van 3 tot 7 jaar worden in- en uitgeschakeld, wanneer er toezicht op hen gehouden wordt, of wanneer ze met betrekking tot het veilige gebruik van het toestel geïnstrueerd zijn en de gevaren die daaruit ontstaan, begrepen hebben. Voorwaarde hiervoor is dat het toestel gemonteerd is, zoals beschreven. Kinderen van 3 tot 7 jaar mogen het toestel niet regelen.

Algemene aanwijzingen

- Het toestel kan door kinderen vanaf 8 jaar, alsmede door personen met fysieke, zintuiglijke of geestelijke beperkingen of met een gebrek aan ervaring en kennis gebruikt worden, wanneer er toezicht op hen gehouden wordt, of wanneer ze met betrekking tot het veilige gebruik van het toestel getraind zijn en de gevaren die daaruit ontstaan, begrepen hebben.
- Kinderen mogen niet met het toestel spelen. Kinderen mogen zonder toezicht het toestel niet reinigen noch gebruikersonderhoudstaken uitvoeren.
- Delen van het toestel kunnen zeer heet worden en verbrandingen veroorzaken. Wanneer er kinderen en hulpbehoevenden aanwezig zijn, is extra voorzichtigheid geboden.
- Bij de eerste ingebruikname is het mogelijk dat er iets gaat ruiken. Zorg voor voldoende ventilatie van de ruimte.
- Houd de minimale afstanden tot aangrenzende objecten of overige brandbare materialen aan (zie hoofdstuk "Installatie/minimumafstanden").
- Dek het toestel niet af om oververhitting van het toestel te vermijden.
- Leg geen voorwerpen op het toestel of in de onmiddellijke omgeving van het toestel. Plaats geen voorwerpen tegen het toestel.
- Plaats het toestel niet direct onder een stopcontact.
- Houd rekening met de waarden van de nominale oplading in het hoofdstuk "Technische gegevens/gegevenstabel".
- Plaats het toestel zo dat de schakel- en regelvoorzieningen niet kunnen worden aangeraakt door een persoon die in bad zit of onder de douche staat.
- Aansluiting op het stroomnet is alleen als vaste aansluiting toegestaan. Het toestel moet op alle polen met een afstand van minstens 3 mm van de aansluiting van het net kunnen worden losgekoppeld.
- Monteer het toestel zoals beschreven in het hoofdstuk "Installatie/montage".
- Installatie, ingebruikname, onderhoud en reparatie van het toestel mogen alleen worden uitgevoerd door een gekwalificeerde installateur overeenkomstig deze handleiding.
- Beschadigde isolatie kan oververhitting van de behuizing veroorzaken. Wanneer u aan delen van de isolatie schade of veranderingen vaststelt, dient u deze delen te vervangen.
- Om de stabiliteit van het toestel te waarborgen, stelt u het toestel alleen op een effen ondergrond op. Vermijd ongelijkmatige opstelvlakken, die bijvoorbeeld kunnen ontstaan omdat tapijt of tegels onder het toestel doorlopen.

BEDIENING

1. Algemene aanwijzingen

De hoofdstukken "Bijzondere info" en "Bediening" zijn bedoeld voor de gebruiker van het toestel en de installateur.

Het hoofdstuk "Installatie" is bedoeld voor de installateur.



Info

Lees deze handleiding voor gebruik zorgvuldig door en bewaar deze.

Overhandig de handleiding zo nodig aan een volgende gebruiker.

1.1 Veiligheidsaanwijzingen

1.1.1 Opbouw veiligheidsinstructies






TREFWOORD Soort gevaar

Hier worden de mogelijke gevolgen vermeld, wanneer de veiligheidsinstructies genegeerd worden.

► Hier staan maatregelen om gevaren te voorkomen.

1.1.2 Symbolen, soort gevaar

Symbool	Soort gevaar
	Letstel
	Elektrische schok
	Verbranding (verbranding, verschroeïing)

1.1.3 Trefwoorden

TREFWOORD	Betekenis
GEVAAR	Aanwijzingen die leiden tot zwaar letsel of overlijden, wanneer deze niet in acht genomen worden.
WAARSCHUWING	Aanwijzingen die kunnen leiden tot zwaar letsel of overlijden, wanneer deze niet in acht genomen worden.
VOORZICHTIG	Aanwijzingen die kunnen leiden tot middelmatig zwaar of licht letsel, wanneer deze niet in acht genomen worden.



1.2 Andere aandachtspunten in deze documentatie



Info

Algemene aanwijzingen worden aangeduid met het hiernaast afgebeelde symbool.

► Lees de aanwijzingen grondig door.

Symbool	Betekenis
	Materiële schade (toestel-, gevolg-, milieuschade)
	Het toestel afdanken

► Dit symbool geeft aan dat u iets doen moet. De vereiste handelingen worden stap voor stap beschreven.

1.3 Info op het toestel

Symbool	Betekenis
	Toestel niet afdekken

1.4 Meeteenheden



Info

Tenzij anders vermeld, worden alle afmetingen in millimeter aangegeven.

1.5 Afbeeldingen

De afbeeldingen in deze documentatie zijn slechts als voorbeeld bedoeld en kunnen afwijken van het betreffende toesteltype.

2. Veiligheid

2.1 Reglementair gebruik

Het toestel is bestemd voor het verwarmen van woonruimten.

Het toestel is bestemd voor gebruik in een huishoudelijke omgeving. Het kan op een veilige manier bediend worden door ongeschoolde personen. Het toestel kan ook buiten het huishouden gebruikt worden, bijv. in een klein bedrijf, voor zover het op dezelfde wijze gebruikt wordt.

Elk ander gebruik dat verder gaat dan wat hier wordt omschreven, geldt als niet-reglementair. Onder reglementair gebruik valt ook het in acht nemen van deze handleiding evenals de handleidingen voor het gebruikte toebehoren.

2.2 Algemene veiligheidsaanwijzingen

Neem de hierna vermelde veiligheidsaanwijzingen en voorschriften in acht.

- De elektrische installatie en de installatie van het toestel mogen alleen uitgevoerd worden door een installateur of door technici van onze klantenservice overeenkomstig deze handleiding.
- De installateur is tijdens de installatie en de eerste ingebruikname verantwoordelijk voor het naleven van de geldende voorschriften.
- Gebruik het toestel enkel als het volledig geïnstalleerd is en als alle veiligheidsvoorzieningen aangebracht zijn.



WAARSCHUWING letsel

- Houd kinderen jonger dan 3 jaar uit de buurt van het toestel, wanneer er niet voortdurend toezicht is.
- Het toestel kan door kinderen van 3 tot 7 jaar worden in- en uitgeschakeld, wanneer er toezicht op hen gehouden wordt, of wanneer ze met betrekking tot het veilige gebruik van het toestel geïnstrueerd zijn en de gevaren die daaruit ontstaan, begrepen hebben. Voorwaarde hiervoor is dat het toestel gemonteerd is, zoals beschreven. Kinderen van 3 tot 7 jaar mogen het toestel niet regelen.
- Het toestel kan door kinderen vanaf 8 jaar, alsmede door personen met fysieke, zintuiglijke of geestelijke beperkingen of met een gebrek aan ervaring en kennis gebruikt worden, wanneer er toezicht op hen gehouden wordt, of wanneer ze met betrekking tot het veilige gebruik van het toestel getraind zijn en de gevaren die daaruit ontstaan, begrepen hebben.
- Kinderen mogen niet met het toestel spelen. Kinderen mogen zonder toezicht het toestel niet reinigen noch gebruikersonderhoudstaken uitvoeren.

Toestelbeschrijving



WAARSCHUWING verbranding

Gebruik het toestel niet ...

- wanneer de afstand tot naastliggende voorwerpen of overige brandbare materialen kleiner is dan de minimaal voorgeschreven afstand.
- in ruimtes waar door chemicaliën, stof, gasen of dampen gevaar voor brand of explosies bestaat. Ventileer de ruimte voldoende voordat het toestel wordt opgeladen.
- in de onmiddellijke omgeving van leidingen of containers met brandbare of explosieve stoffen.
- wanneer in de opstelruimte werkzaamheden uitgevoerd worden, zoals leggen, slijpen, verzegelen.
- wanneer er een toestelmodule beschadigd is of het toestel een storing heeft.



WAARSCHUWING verbranding

- Leg geen brandbare, ontvlambare of warmte-isolerende voorwerpen of stoffen op het toestel of in de onmiddellijke omgeving van het toestel. Plaats geen voorwerpen tegen het toestel. Daardoor kan warmteophoping ontstaan, wat leidt tot een verhoogde temperatuur van het oppervlak van de behuizing en de voorwerpen.
- Let erop dat luchttoevoer en -afvoer niet geblokkeerd worden.
- Steek geen voorwerpen tussen het toestel en de wand.



VOORZICHTIG verbranding

De oppervlakken van de behuizing van het toestel en de uitstromende lucht kunnen bij werking zeer warm (meer dan 80 °C) worden en verbrandingen veroorzaken. Wanneer er kinderen en hulpbehoevenden aanwezig zijn, is extra voorzichtigheid geboden.



WAARSCHUWING oververhitting

Dek het toestel niet af om oververhitting van het toestel te vermijden.

2.3 Keurmerk

Zie het typeplaatje op het toestel. Het typeplaatje zit aan de linkerzijwand van het toestel.

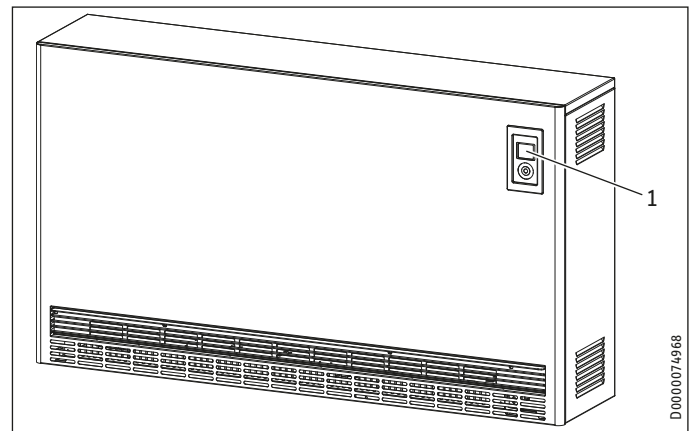
3. Toestelbeschrijving

Met dit toestel wordt elektrisch gewonnen warmte opgeslagen. Het elektrisch genereren van warmte gebeurt tijdens de uren dat het voordelige nachstroomtarief van toepassing is.

Wanneer het nachstroomtarief van toepassing is, is afhankelijk van de energieleverancier. Over het algemeen geldt het nachttarief tijdens de nachtelijke uren.

De opgeslagen warmte wordt afhankelijk van de gewenste kamertemperatuur in de vorm van hete lucht met behulp van een ventilator, maar voor een klein deel ook via de oppervlakken van het toestel aan de kamer afgegeven.

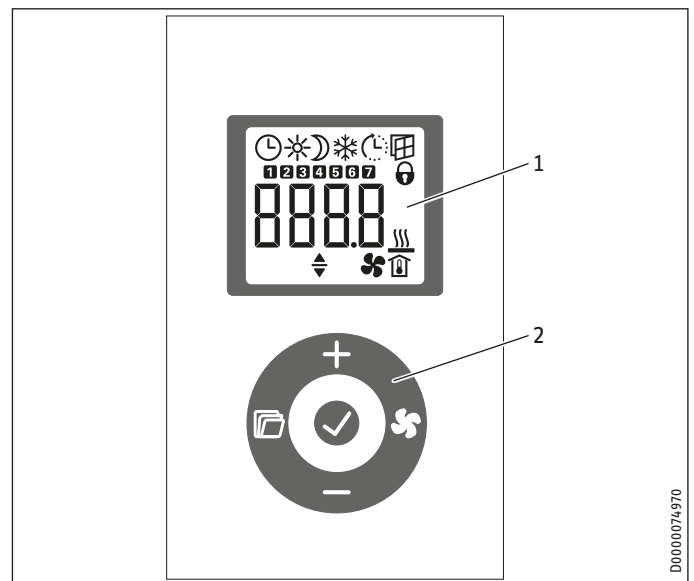
4. Bediening



1 Bedieningseenheid

4.1 Bedieningseenheid

De bediening gebeurt door middel van de bedieningseenheid, die zich rechtsboven in de voorzijde van het toestel bevindt.



1 Display

2 Bedieningspaneel

4.1.1 Bedieningspaneel

Toets	Naam	Beschrijving
	Toets "Ventilator"	Activering van de ventilator in- en uitschakelen
	Toets "OK"	Selectie; instellingen bevestigen
	Toets "Menu"	Menu oproepen en sluiten
	Toets "+"	Menuopties oproepen; instellingen wijzigen
	Toets "-"	Menuopties oproepen; instellingen wijzigen

4.1.2 Display

Wanneer gedurende 30 seconden geen bediening wordt uitgevoerd, schakelt de achtergrondverlichting uit. Door op een willekeurige toets te drukken, wordt de achtergrondverlichting weer ingeschakeld.

Symbolen



Info

Wanneer de warmteafgifte (ontlading) via een aan de wand gemonteerde thermostaat geregeld wordt, worden niet alle symbolen weergegeven.

Symbool	Beschrijving
	Tijdsaanduiding: Weergave van de actuele tijd of van een geprogrammeerd start-tijdstip Timerwerking: Het toestel warmt op overeenkomstig het geactiveerde tijdprogramma.
	Comfortwerking: Het toestel houdt de ingestelde comforttemperatuur aan. Standaardwaarde: 21,0 °C. Gebruik deze instelling voor comfortabele kamertemperaturen als u aanwezig bent.
	Verlaagde werking: Het toestel houdt de ingestelde verlaagde temperatuur aan. Standaardwaarde: 18,0 °C. Gebruik deze instelling bijv. 's nachts of wanneer u gedurende enkele uren afwezig bent.
	Adaptieve start: In timerwerking worden de schakeltijden van het verwarmings-toestel dusdanig aangepast dat de ingestelde kamertemperatuur reeds op het geprogrammeerde starttijdstip wordt bereikt. Voorwaarde: de functie "Adaptieve start" is ingeschakeld (zie hoofdstuk "Instellingen bij geïntegreerde kamerthermostaat/basismenu").
	Venster-open-herkenning: Om nodeloos energieverbruik tijdens het ventileren te vermijden, verlaagt het toestel bij een geopend venster automatisch gedurende één uur de ingestelde kamertemperatuur naar 7,0 °C. Het symbool "Venster-open-herkenning" knippert. U kunt de venster-open-herkenning na het ventileren handmatig beëindigen met de toets "+" of "OK". Het toestel warmt weer op naar de ingestelde kamertemperatuur. Voorwaarde: De venster-open-herkenning is ingeschakeld (zie hoofdstuk "Instellingen bij geïntegreerde kamerthermostaat/basismenu").
	Bedieningsblokkering: Om het bedieningspaneel te vergrendelen of te ontgrendelen, houdt u de toetsen "+" en "-" gedurende 5 seconden tegelijk ingedrukt.
	Bijkomende verwarming (toebehoren) vrijgegeven: Wanneer de opgeslagen hoeveelheid warmte voor het verwarmen van een ruimte niet meer voldoende is, verwarmt de bijkomende verwarming aanvullend.
	Weergave kamertemperatuur
	Vrijgave ventilator actief: Wanneer de kamertemperatuur daalt tot onder de ingestelde kamertemperatuur, schakelt de ventilator in en geeft verwarmde lucht aan de ruimte af totdat de ingestelde temperatuur bereikt is.
	Parameter bewerkbaar: De weergegeven parameter kan worden gewijzigd met de toetsen "+" en "-".
	Dagen van de week: 1 = maandag, 2 = dinsdag ... 7 = zondag

4.2 Warmteopslag

Met de oplaadregeling wordt de mate van warmteopslag (oplaading) bepaald.

Welke instellingen u op de oplaadregeling dient uit te voeren, is afhankelijk van het feit of u een toestel met of zonder centrale, weersafhankelijke oplaadsturing gebruikt.

De weersafhankelijke oplaadsturing bevindt zich in de schakelkast.

4.2.1 Toestellen met weersafhankelijke oplaadsturing

- ▶ Roep met de toets "Menu" de afzwakking van de oplaadgraad in het basismenu op (zie het hoofdstuk "Instellingen bij geïntegreerde kamerthermostaat/basismenu").
- ▶ Druk op de toets "OK". Zodra het symbool "Parameter bewerkbaar" verschijnt, stelt u met de toetsen "+" en "-" de afzwakking van de oplaadgraad in op 100%.



Info

Wanneer de warmteafgifte (ontlading) via een aan de wand gemonteerde kamerthermostaat wordt geregeld, stelt u de standaardweergave van de afzwakking van de oplaadgraad met de toetsen "+" en "-" in.

De weersafhankelijke oplaadsturing zorgt voor de juiste oplading.



Info

Raadpleeg daarvoor de handleiding van de oplaadsturing of het groepsregeltoestel.

Om individuele toestellen verschillend te regelen, kunt u via de afzwakking van de oplaadgraad ook een manuele aanpassing van het oplaadvolume uitvoeren.

Wanneer u de afzwakking van de oplaadgraad op 0% instelt, wordt er niet opgeladen.

4.2.2 Toestellen zonder weersafhankelijke oplaadsturing

U hebt de volgende twee mogelijkheden voor opladen zonder weersafhankelijke oplaadsturing:

Regeling van de oplading via de afzwakking van de oplaadgraad

De oplaadhoeveelheid wordt via de afzwakking van de oplaadgraad ingesteld.

- ▶ Roep met de toets "Menu" de afzwakking van de oplaadgraad in het basismenu op (zie het hoofdstuk "Instellingen bij geïntegreerde kamerthermostaat/basismenu").
- ▶ Druk op de toets "OK". Zodra het symbool "Parameter bewerkbaar" verschijnt, stelt u met de toetsen "+" en "-" de afzwakking van de oplaadgraad in.



Info

Wanneer de warmteafgifte (ontlading) via een aan de wand gemonteerde kamerthermostaat wordt geregeld, stelt u de standaardweergave van de afzwakking van de oplaadgraad met de toetsen "+" en "-" in.

Instellingen bij geïntegreerde kamerthermostaat

Daarbij gelden de volgende richtwaarden:

Waarde	Oplaadhoeveelheid
0 %	Geen oplading (in de zomer)
30 %	Ca. 1/3 van de volledige oplading voor overgangsseizoenen zoals lente of herfst
70 %	Ca. 2/3 van de volledige oplading voor milde winterdagen
100 %	Volledige oplading voor koude winterdagen

Na een korte periode van gewenning beschikt u over voldoende ervaring om telkens de juiste instelling te kiezen.

Kamertemperatuurafhankelijke oplaadregeling (C-PLUS TECHNOLOGY)

De kamertemperatuurafhankelijke oplaadregeling past de oplaadhoeveelheid automatisch aan de warmtebehoefte in de kamer aan. De benodigde oplaadhoeveelheid wordt afhankelijk van de kamertemperatuur, de ventilatorwerking en de resterende oplading van het toestel bepaald. Het doel is dat aan het einde van de dag de warmtehoeveelheid nog voldoende is om de ingestelde kamertemperatuur te behouden.



- Het toestel moet altijd met stroom gevoed worden.
- De vrijgave van de oplading kan via het LF-sigitaal van de energiemaatschappij (LF-sigitaal moet aangesloten zijn) of de interne klok gebeuren, te selecteren via parameter P15 in het configuratiemenu.
- Het is absoluut noodzakelijk dat de ventilatorvrijgave altijd ingeschakeld is.
- Bij de eerste ingebruikname en een spanningsonderbreking van ten minste 8 uur wordt een oplading bereikt van 60 %.
- De kamertemperatuurafhankelijke oplaadregeling is afhankelijk van de omstandigheden in de kamer. Zonnestraling en ongunstige weersomstandigheden hebben eventueel invloed op de oplaadhoeveelheid.
- Het bepalen van de optimaal aangepaste oplaadhoeveelheid kan enkele dagen duren.
- Wanneer het toestel gedurende een langere periode in de verlaagde werking stond (bijv. bij afwezigheid), moet de comfortwerking met een aanloop van 1 - 2 dagen geactiveerd worden.
- Wanneer de warmteafgifte (ontlading) via een aan de wand gemonteerde kamerthermostaat geregeld wordt, kan er aan comfort ingeboet worden. Het toestel beschikt niet over informatie over de kamertemperatuur. Het wordt aanbevolen om de geïntegreerde kamerthermostaat te gebruiken.

Wanneer de kamer 's avonds voortdurend te warm is, kunt u met de afzwakking van de oplaadgraad het energieniveau in het toestel verlagen.



Bij een kamertemperatuurafhankelijke oplaadregeling verschilt de werking van de afzwakking van de oplaadgraad aanzienlijk van die in het hoofdstuk "Warmteopslag/Regeling van de oplading via de afzwakking van de oplaadgraad". Ook bij een instelling van 0 % kan opgeladen worden.

- ▶ Roep met de toets "Menu" de afzwakking van de oplaadgraad in het basismenu op (zie het hoofdstuk "Instellingen bij geïntegreerde kamerthermostaat/basismenu").
- ▶ Druk op de toets "OK". Zodra het symbool "Parameter bewerkbaar" verschijnt, stelt u met de toetsen "+" en "-" de afzwakking van de oplaadgraad in.

Wanneer de kamer geen verwarmingsenergie meer nodig heeft, wordt de oplaadhoeveelheid geleidelijk verminderd tot nul. Pas wanneer in de kamer weer verwarmingsenergie nodig is, begint het toestel opnieuw met opladen.

4.3 Warmteafgifte

De warmteafgifte (ontlading) wordt via de in het toestel geïntegreerde kamerthermostaat of een aan de wand gemonteerde 2-punts kamerthermostaat (zie hoofdstuk "Toebehoren") geregeld.

De kamerthermostaat regelt automatisch de warmteafgifte via de ventilator, zodat de ingestelde kamertemperatuur aangehouden wordt. De vrijgave van de ventilator moet ingeschakeld zijn, zodat de ventilator kan werken.



Bij een afwezigheid van meerdere dagen tijdens de verwarmingsperiode is het nuttig om een verlaagde kamertemperatuur van bijv. 10 °C in te stellen. Met deze instelling voorkomt u dat de ruimte te sterk afkoelt (vorstbescherming).

4.3.1 Activering van de ventilator in- en uitschakelen

- ▶ Druk op de toets "Ventilator" om de vrijgave van de ventilator in en uit te schakelen. Bij ingeschakelde vrijgave van de ventilator wordt het "Ventilatorsymbool" weergegeven.



Bij de kamertemperatuurafhankelijke oplaadregeling moet de ventilatorvrijgave altijd zijn ingeschakeld.

5. Instellingen bij geïntegreerde kamerthermostaat

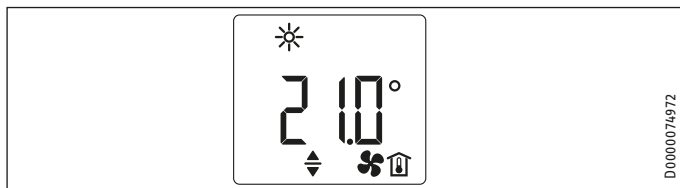
Alle instellingen blijven behouden, wanneer er een spanningsonderbreking optreedt. Het toestel beschikt over een werkingsreserve, zodat de dag van de week en de tijd gedurende enkele uren behouden blijven.



Wanneer de spanning langer dan 8 uur onderbroken was, krijgt u na de spanningsonderbreking het verzoek om de dag van de week en de tijd in te stellen. Op het display knippert "- :- -". Bij geactiveerde bedieningsblokkering houdt u de toetsen "+" en "-" gedurende 5 seconden tegelijkertijd ingedrukt om het bedieningspaneel te deblokken.

Instellingen bij geïntegreerde kamerthermostaat

5.1 Standaardweergave



De standaardweergave wordt continu weergegeven. Wanneer u zich in het menu bevindt en u langer dan 30 seconden geen bediening uitvoert, gaat het toestel automatisch naar de standaardweergave.

In de standaardweergave ziet u de actueel ingestelde kamertemperatuur en het symbool "Parameter bewerkbaar". Met de toetsen "+" en "-" kunt u de ingestelde kamertemperatuur wijzigen.

Wanneer de ingestelde kamertemperatuur overeenkomt met een van de ingestelde waarden voor comfort- of verlaagde temperatuur, verschijnt in de menubalk het symbool van de overeenkomstige werkwijze (comfortwerking, verlaagde werking).

De ingestelde kamertemperatuur kan ook in timerwerking handmatig worden gewijzigd. De gewijzigde kamertemperatuur blijft behouden tot aan het volgende geprogrammeerde schakeltijdstip.

5.2 Basismenu

Om naar het basismenu te gaan, drukt u kort op de toets "Menu". U kunt nu de volgende menuopties oproepen:

Display	Beschrijving
	Afzwakking van de oplaadgraad instellen Voor de dagen waarop een geringere behoefte aan warmte bestaat, kunt u de oplaadhoeveelheid in stappen van 10% handmatig aanpassen.
	Dag van de week en tijd instellen Dagen van de week: 1 = maandag tot 7 = zondag
	Comforttemperatuur instellen De comforttemperatuur moet minstens 0,5 °C hoger ingesteld zijn dan de verlaagde temperatuur.
	Verlaagde temperatuur instellen De verlaagde temperatuur moet minstens 0,5 °C lager ingesteld zijn dan de comforttemperatuur.
	Functie "Venster-open-herkenning" in- en uitschakelen
	Tijdprogramma (Pro1, Pro2, Pro3) selecteren of deactiveren (off)
	Functie "Adaptieve start" in- en uitschakelen

Display	Beschrijving
	Bijverwarming (toebehoren) in- en uitschakelen Weergave alleen bij een geïnstalleerde en geactiveerde bijverwarming.

Wanneer u de instelling van een menuoptie wijzigen wilt, roept u de gewenste menuoptie op met de toetsen "+" en "-". Druk op de toets "OK".

Zodra het symbool "Parameter bewerkbaar" verschijnt, kunt u met de toetsen "+" en "-" de instelling van de menuoptie wijzigen. Om de instellingen op te slaan, drukt u op de toets "OK".

Om het basismenu te verlaten, drukt u op de toets "Menu". De standaardweergave verschijnt.

5.3 Configuratiemenu

Display	Beschrijving
I1-I2	Actuele waarden
Pro1-Pro3	Tijdprogramma's
P1-P5	Parameters
Code	Toegang voor installateur

In het configuratiemenu kunt u actuele waarden oproepen, de klokprogramma's voor timerwerking programmeren en parameters instellen.

Om naar het configuratiemenu te gaan, houdt u de toets "Menu" ingedrukt. Na ca. 3 seconden wordt de actuele waarde I1 weergegeven.

Met de toetsen "+" en "-" kunt u schakelen tussen de verschillende actuele waarden, tijdprogramma's en parameters.

Om het configuratiemenu te verlaten, drukt u op de toets "Menu". De standaardweergave verschijnt.

5.3.1 Actuele waarden

U kunt de volgende actuele waarden oproepen:

Display	Beschrijving	Eenheid
I1	Actuele waarde kamertemperatuur	[°C] [°F]
I2	Relatieve verwarmingsduur (Met parameter P5 kunt u de teller resetten.)	[h]



Info
De teller voor de relatieve verwarmingsduur (I2) telt de tijd van de oplading in volle bedrijfsuren. Wanneer het toestel een volledig uur, ook gedeeltelijk, opgeladen werd, wordt de teller verhoogd.

5.3.2 Tijdprogramma's

Om het toestel in timerwerking te gebruiken, beschikt u over drie tijdprogramma's. De tijdprogramma's Pro1 en Pro2 zijn in de fabriek voorgeconfigureerd. U kunt het tijdprogramma Pro3 instellen volgens uw individuele wensen.

Instellingen bij geïntegreerde kamerthermostaat

Display	Beschrijving
Pro1	Tijdprogramma "Dagelijks" - herhaling: maandag tot zondag
Pro2	Tijdprogramma "Werkdag" - herhaling: maandag tot vrijdag
Pro3	Tijdprogramma "Door gebruiker gedefinieerd" - tot 14 comfortfasen vrij configureerbaar



Info

Wanneer u de timerwerking wilt gebruiken, dient u in het basismenu het gewenste tijdprogramma te selecteren (zie hoofdstuk "Instellingen bij geïntegreerde kamerthermostaat/basismenu").



Info

Let er bij het instellen van de tijdprogramma's op dat de dag van de week en de tijd correct ingesteld zijn.



Info

Voor alle tijdprogramma's (Pro1, Pro2, Pro3) geldt: Wanneer het eindtijdstip na 23:59 uur ligt, wordt het eindtijdstip automatisch op de volgende dag van de week geplaatst. De comfortfase wordt over middernacht aangehouden en eindigt de volgende dag van de week op het ingestelde eindtijdstip.

Tijdprogramma's Pro1 en Pro2

Met de tijdprogramma's Pro1 en Pro2 kunt u het start- en eindtijdstip van de comfortwerking bepalen. Gedurende die tijd verwarmt het toestel naar de ingestelde comforttemperatuur. Buiten deze gedefinieerde tijd werkt het toestel in verlaagde werking. Daaruit resulteert een comfort- en een nachtfase, die dagelijks (Pro1) of elke werkdag (Pro2) worden herhaald.

In de fabriek zijn deze fasen als volgt geconfigureerd:

- 08:00 uur - 22:00 uur: Comfortwerking
- 22:00 uur - 8:00 uur: Verlaagde werking



Info

Bij geactiveerd tijdprogramma Pro2 werkt het toestel tijdens het weekend uitsluitend in verlaagde werking.

Om de tijdprogramma's Pro1 en Pro2 aan te passen aan uw behoeften, gaat u als volgt te werk:

- ▶ Roep in het configuratiemenu het gewenste tijdprogramma op met de toetsen "+" en "-".
- ▶ Druk op de toets "OK".
Het starttijdstip voor comfortwerking wordt weergegeven.
- ▶ Stel het gewenste starttijdstip in met de toetsen "+" en "-".
- ▶ Druk op de toets "OK".
Het eindtijdstip voor comfortwerking wordt weergegeven.
- ▶ Stel het gewenste eindtijdstip in met de toetsen "+" en "-".
- ▶ Druk op de toets "OK" om op te slaan.

Tijdprogramma Pro3

Met tijdprogramma Pro3 kunt u tot 14 afzonderlijke comfortfasen definiëren, die wekelijks worden herhaald.

Om in tijdprogramma Pro3 een comfortfase te configureren, gaat u als volgt te werk:

- ▶ Roep in het configuratiemenu tijdprogramma Pro3 op met de toetsen "+" en "-".
- ▶ Druk op de toets "OK".
Het display toont "3---".
- ▶ Druk op de toets "OK".
Een dag van de week of een groep weekdays wordt weergegeven.
- ▶ Stel de gewenste dag van de week of de gewenste groep weekdays in met de toetsen "+" en "-".
- ▶ Druk op de toets "OK".
Het starttijdstip voor comfortwerking wordt weergegeven.
- ▶ Stel het gewenste starttijdstip in met de toetsen "+" en "-".
- ▶ Druk op de toets "OK".
Het eindtijdstip voor comfortwerking wordt weergegeven.
- ▶ Stel het gewenste eindtijdstip in met de toetsen "+" en "-".
- ▶ Druk op de toets "OK".
De comfortfase "3-01" is geconfigureerd.
- ▶ Om een andere comfortfase te configureren, selecteert u in tijdprogramma Pro3 de weergave "3---" met de toetsen "+" en "-". Ga te werk zoals beschreven.



Info

Om de ingestelde comfortfasen te resetten, activeert u parameter P4.

- ▶ Merk op dat door parameter P4 te activeren, alle tijdprogramma's (Pro1, Pro2, Pro3) weer in de leveringstoestand worden gezet.

5.3.3 Parameters

U kunt de volgende parameters oproepen:

Display	Beschrijving	Opties
P1	Offset kamertemperatuur	±3 °C ±5 °F
P2	Tijdnotatie	12 h 24 h
P3	Eenheid temperatuurweergave	°C °F
P4	Tijdprogramma's (timerwerking) resetten.	on off
P5	Relatieve verwarmingsduur resetten	on off

Wanneer u de waarde van een parameter wilt wijzigen, roept u de overeenkomstige parameter op met de toetsen "+" en "-". Druk op de toets "OK".

Zodra het symbool "Parameter bewerkbaar" verschijnt, kunt u de waarde van de parameter wijzigen met de toetsen "+" en "-". Druk op de toets "OK" om de ingestelde waarde op te slaan.

P1: Offset kamertemperatuur

Een ongelijkmatige temperatuurverdeling in de ruimte kan tot een verschil leiden tussen de weergegeven actuele temperatuur I1 en de door u gemeten kamertemperatuur. Om dit verschil te compenseren, kunt u met parameter P1 een kamertemperatuur-offset van ±3 °C instellen.

Voorbeeld: Het toestel geeft I1 = 21,0 °C aan. De door u gemeten kamertemperatuur bedraagt 20,0 °C. Er is een verschil van 1,0 °C.

- ▶ Om het verschil te compenseren, stelt u een offset van P1 = -1,0 in.

Instellingen bij een aan de wand gemonteerde kamerthermostaat

P2: Tijdnotatie

Met parameter P2 kunt u definiëren of de tijd wordt weergegeven in 12-uurs- of 24-uurs notatie.

P3: Eenheid temperatuurweergave

Met parameter P3 kunt u bepalen of de kamertemperatuur wordt weergegeven in graden Celsius [°C] of in graden Fahrenheit [°F].

P4: Tijdprogramma's resetten

Door parameter P4 te activeren, zet u alle tijdprogramma's weer in de leveringstoestand.

P5: Relatieve verwarmingsduur resetten

Door parameter P5 te activeren, zet u de teller voor de relatieve verwarmingsduur (I2) terug.

5.3.4 Toegang voor installateur

Display	Beschrijving
Code	Toegang voor installateur



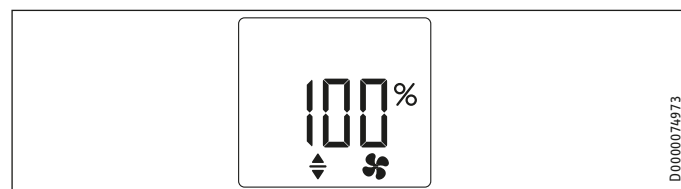
Info
Een aantal menuopties is beschermd met een code; ze kunnen alleen door een installateur bekeken en ingesteld worden.

6. Instellingen bij een aan de wand gemonteerde kamerthermostaat



Info
Wanneer u de warmteafgifte (ontlading) via een aan de wand gemonteerde kamerthermostaat regelt, zijn er op het toestel slechts zeer beperkte instelmogelijkheden beschikbaar.

6.1 Standaardweergave



De standaardweergave wordt continu weergegeven. Wanneer u zich in het menu bevindt en u langer dan 30 seconden geen bediening uitvoert, gaat het toestel automatisch naar de standaardweergave.

In de standaardweergave ziet u de actuele instelling van de afzwakking van de oplaadgraad alsmede het symbool "Parameter bewerkbaar". Met de toetsen "+" en "-" kunt u voor de dagen waarop een geringere behoefte aan warmte bestaat, de oplaadhoeveelheid in stappen van 10 % handmatig aanpassen.

6.2 Basismenu



Info
U kunt het basismenu alleen oproepen, wanneer uw toestel uitgerust is met een bijverwarming (toebehooren).

Om naar het basismenu te gaan, drukt u kort op de toets "Menu".

Display	Beschrijving
	Bijverwarming (toebehooren) in- en uitschakelen Ook bij een aan de wand gemonteerde kamerthermostaat met bijverwarmingsschakelaar moet de bijverwarming in het basismenu ingeschakeld zijn.

Wanneer u de instelling van de menuoptie wilt wijzigen, druk dan op de toets "OK".

Zodra het symbool "Parameter bewerkbaar" verschijnt, kunt u met de toetsen "+" en "-" de instelling van de menuoptie wijzigen. Om de instelling op te slaan, drukt u op de toets "OK".

Om het basismenu te verlaten, drukt u op de toets "Menu". De standaardweergave verschijnt.

6.3 Configuratiemenu

Display	Beschrijving
I2	Actuele waarde
P5	Parameters
Code	Toegang voor installateur

Om naar het configuratiemenu te gaan, houdt u de toets "Menu" ingedrukt. Na ca. 3 seconden wordt de actuele waarde I2 weergegeven.

Met de toetsen "+" en "-" kunt u schakelen tussen de actuele waarde en de parameter.

Om het configuratiemenu te verlaten, drukt u op de toets "Menu". De standaardweergave verschijnt.

6.3.1 Actuele waarde

Display	Beschrijving	Eenheid
I2	Relatieve verwarmingsduur (Met parameter P5 kunt u de teller resetten.)	[h]



Info
De teller voor de relatieve verwarmingsduur (I2) telt de tijd van de oplading in volle bedrijfsuren. Wanneer het toestel een volledig uur, ook gedeeltelijk, opgeladen werd, wordt de teller verhoogd.

6.3.2 Parameters

Display	Beschrijving	Opties
P5	Relatieve verwarmingsduur resetten Door de parameter te activeren, reset u de teller voor de relatieve verwarmingsduur (I2).	on off

Wanneer u de instelling van de parameter wilt wijzigen, druk dan op de toets "OK".

Reiniging, verzorging en onderhoud

Zodra het symbool "Parameter bewerkbaar" verschijnt, kunt u met de toetsen "+" en "-" de instelling van de parameter wijzigen. Om de instelling op te slaan, drukt u op de toets "OK".

6.3.3 Toegang voor installateur

Display	Beschrijving
Code	Toegang voor installateur



Info
Een aantal menuopties is beschermd met een code; ze kunnen alleen door een installateur bekeken en ingesteld worden.

7. Reiniging, verzorging en onderhoud



Materiële schade

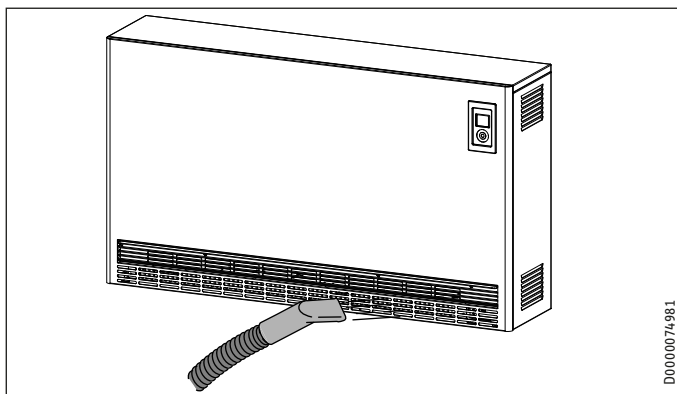
- Spuit geen reinigingspray in de luchtspleten.
- Let erop dat er geen vocht binnendringt in het toestel.

- Als er een lichte, bruinachtige verkleuring optreedt op de behuizing van het toestel, veegt u deze met een vochtige doek af.
- Reinig het toestel in afgekoelde toestand met gebruikelijke onderhoudsmiddelen. Vermijd schurende en bijtende onderhoudsmiddelen.

7.1 De pluizenzeef reinigen



Info
Maak de pluizenzeef achter de luchttoevoer regelmatig schoon. Dat waarborgt een storingvrije ontlading van het toestel. Schakel bij een verstopte pluizenzeef de ventilatoren uit.



- ▶ Maak de pluizenzeef achter de luchttoevoer schoon met een stofzuiger.

8. Problemen verhelpen

Probleem	Oorzaak	Oplossing
Het toestel wordt niet warm.	Het is niet of te laag ingesteld op opladen. Probleem met de voeding.	Stel een hogere oplading in. Controleer de zekering en de aardlekschakelaar in uw huisinstallatie.

Probleem	Oorzaak	Oplossing
Het toestel wordt bij kamertemperatuurafhankelijke oplaadregeling niet warm.	De temperatuur op het toestel is te laag ingesteld. De ventilatorvrijgave is uitgeschakeld.	Controleer de ingestelde kamertemperatuur. Regel eventueel bij. Schakel de ventilatorvrijgave in.
De ruimte wordt niet warm genoeg hoewel het toestel warm wordt.	Oververhitting. De veiligheidstemperatuurbegrenzer begrenst het verwarmingsvermogen. De temperatuur op het toestel is te laag ingesteld. De ventilatorvrijgave is uitgeschakeld. De warmtebehoefte van de ruimte is groter dan het vermogen van het toestel.	Verhelp de oorzaak (vuil of hindernissen bij de luchtaanvoer of lucht-afvoer). Let op de minimumafstanden! Controleer de ingestelde kamertemperatuur. Regel eventueel bij. Schakel de ventilatorvrijgave in. Verhelp de warmteverliezen (sluit vensters en deuren. Vermijd continue ventilatie.)
Het toestel geeft ook bij mild weer te veel warmte af.	De oplaadsturing en/of de oplaadregelaar is verkeerd ingesteld.	Pas de instellingen aan.
De ruimte wordt te warm.	De temperatuur is te hoog ingesteld op het toestel.	Controleer de ingestelde kamertemperatuur. Regel eventueel bij.
De kamer is bij kamertemperatuurafhankelijke oplaadregeling 's avonds voortdurend te warm.	Het energieniveau in het toestel is te hoog.	Verlaag het energieniveau in het toestel met de afzwakking van de oplaadgraad.
Het toestel wordt niet ontladen.	De pluizenzeef is verstopt.	Zie het hoofdstuk "Reiniging, verzorging en onderhoud".
De venster-open-herkenning reageert niet.	Het toestel herkent geen duidelijke temperatuuordaling door ventileren. (De venster-open-herkenning gaat uit van een stabiele kamertemperatuur.)	Wacht na instellingen op het toestel een tijdje tot de kamertemperatuur zich volledig gestabiliseerd heeft. Vermijd hindernissen voor de luchtuitwisseling tussen het toestel en de kamerlucht. Blokkeer de ventilator tijdens het ventileren.
	De venster-open-herkenning is niet geactiveerd.	Schakel de venster-open-herkenning in het basismenu in.
De functie "Adaptieve start" werkt niet zoals gewenst.	De functie werkt alleen in timerwerking. De kamertemperatuur schommelt sterk of het leerproces van het toestel is niet afgesloten.	Gebruik de timerwerking voor een geoptimaliseerd verwarmingscomfort. Wacht enkele dagen tot het gedrag zich gestabiliseerd heeft.
	De functie "Adaptieve start" is niet geactiveerd.	Schakel de functie "Adaptieve start" in het basismenu in.
Het display toont "E1", "E2" of "E3".	Er werd een interne fout vastgesteld.	Informeer de installateur.



Info
Het effect van gewijzigde instellingen en opgeloste storingen op de oplaadsturing treedt pas in werking als het toestel weer wordt opgeladen.

Waarschuw de installateur, wanneer u de oorzaak niet zelf kunt verhelpen. Hij kan u sneller en beter helpen als u hem het nummer op het typeplaatje doorgeeft (000000-0000-000000).

INSTALLATIE

9. Veiligheid

Installatie, ingebruikname, onderhoud en reparatie van het toestel mogen alleen door een gekwalificeerde installateur uitgevoerd worden.



WAARSCHUWING elektrische schok
De veiligheidssticker "Achtung - Fernsteuerung! [Opgelet - afstandsbediening!]" op de hoekplaat van de net-aansluitklem moet met de meegeleverde veiligheidssticker in de betreffende landstaal beplakt worden.

9.1 Algemene veiligheidsaanwijzingen

Wij waarborgen de goede werking en de bedrijfszekerheid uitsluitend bij gebruik van originele onderdelen en vervangingsonderdelen voor het toestel.

9.2 Voorschriften, normen en bepalingen



WAARSCHUWING elektrische schok
Voer alle werkzaamheden voor elektriciteitsaansluitingen en montage uit conform de voorschriften.



WAARSCHUWING elektrische schok
Aansluiting op het elektriciteitsnet is alleen als vaste aansluiting mogelijk.
Het toestel moet op alle polen met een afstand van minstens 3 mm van de aansluiting van het net kunnen worden losgekoppeld.



Materiële schade
Houd rekening met de specificaties op het typeplaatje. De aangegeven spanning moet overeenkomen met de netspanning.
Dimensioneer alle componenten voor het nominale verbruik van het toestel.



Materiële schade
Zet het toestel zo vast aan de wand of op de vloer dat de stabiliteit is gewaarborgd.



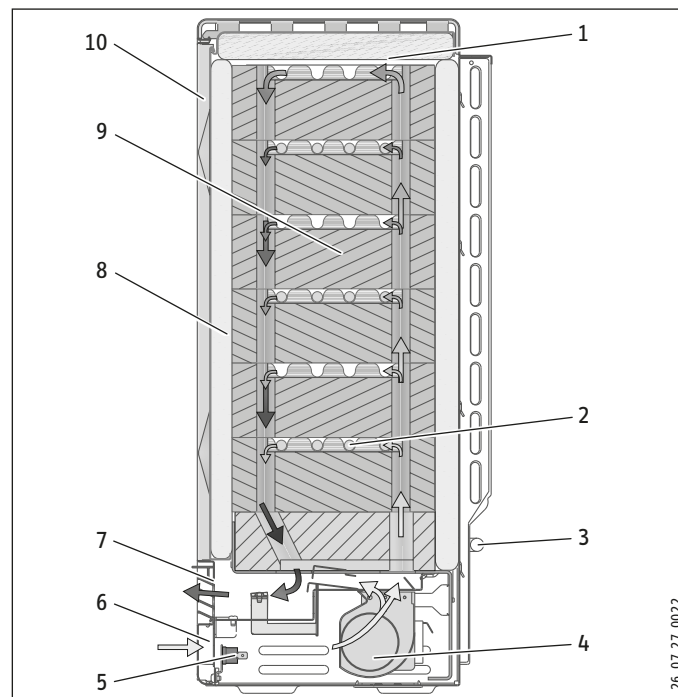
Materiële schade

- Installeer het toestel niet direct onder een stopcontact.
- Let erop dat de aansluitkabel niet in contact komt met de onderdelen van het toestel.



Info
Neem alle nationale en regionale voorschriften en bepalingen in acht.

10. Toestelbeschrijving



- 1 Afdekplaat
- 2 Verwarmingselement
- 3 Kamertemperatuursensor
- 4 Ventilator (M1)
- 5 Veiligheidsthermostaat (N5)
- 6 Luchttoevoer
- 7 Luchtafvoer
- 8 Isolatie
- 9 Accumulatorstenen
- 10 Voorwand en inwendige voorwand

10.1 Werkwijze

De accumulatorstenen worden met behulp van de tussen de rijen accumulatorstenen liggende verwarmingselementen verhit. Met de oplaadregelaar wordt het opladen ingesteld. Begin en duur van de oplaadtijd worden door de desbetreffende energiematschappij bepaald.

Twee ingebouwde veiligheidsthermostaten en een veiligheidstemperatuurbegrenzer beschermen het toestel tegen oververhitting. De veiligheidsthermostaten hebben een automatische resetfunctie, maar de veiligheidstemperatuurbegrenzer moet na het verhelpen van een storing door middel van het indrukken van de midden op de begrenzer aangebrachte knop worden gereset.

De opgeslagen warmte wordt met behulp van een ventilator en gedeeltelijk via het oppervlak van het toestel afgegeven. Daartoe wordt de lucht uit de ruimte waarin het toestel zich bevindt, met behulp van de ventilator door het luchttoevoerrooster aangezogen en door de luchtkanalen van de accumulatorstenen geblazen, waarbij deze wordt verhit.

Voordat de op die manier verwarmde lucht weer door het luchtafvoerrooster uitstroomt, wordt deze via twee luchtmengkleppen met koudere lucht uit de ruimte vermengd, zodat de uitstromende lucht de maximaal toelaatbare temperatuur niet overschrijdt. De stand van de luchtmengklep en dus de mengverhouding van warme en koude lucht, wordt gestuurd met een bimetaalregelaar.

INSTALLATIE

Vorbereidingen

10.2 Leveringsomvang

Bij het toestel wordt het volgende geleverd:

- Accumulatorstenen
- 2 wandhouders alleen bij SHS

10.3 Toebehoren

- 2-punt-kamerthermostaat (ontlaadregeling)
- Bijverwarming
- Module DC Control Input (DC-stuursignaal)
- Bouwset eenfasige aansluiting
- Tweekring-bouwset ZK*
- Varia-consoles
- Steunconsole*

* alleen voor SHS

11. Vorbereidingen



Info

Klemmen L en N van klemmenstrip X2 moeten continu onder spanning staan.



Info

Bij het aansluiten van het toestel op een automatische oplaadsturing moet de oplaadsturing voor elektronische oplaadregelaars zonder spanningscorrectie ingesteld worden.

11.1 Montageplaats



WAARSCHUWING verbranding

- Verifieer of de bevestigingswand temperatuurbestendig is tot 85 °C en de vloer tot minstens 80 °C.
- Houd de minimale afstanden tot naastliggende oppervlakken aan.



Info

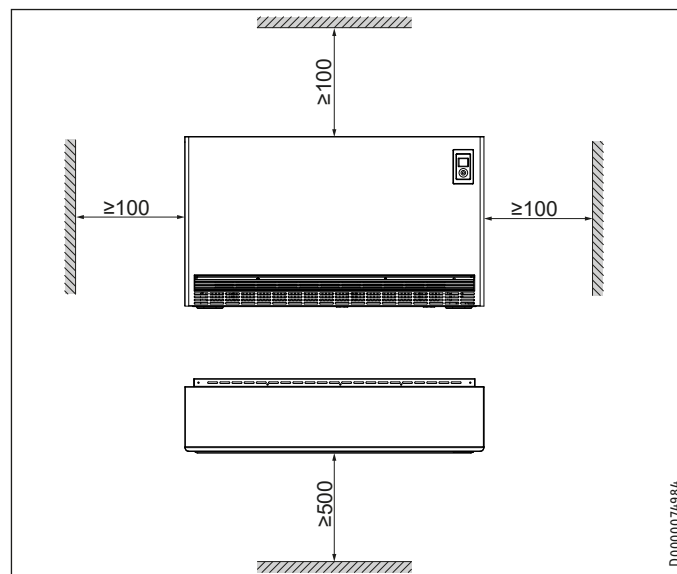
Wanneer het toestel in ruimten opgesteld wordt waar uitlaatgassen, olie- of benzinedampen voorkomen, of waar met oplosmiddelen en chemicaliën wordt gewerkt, kan bij gebruik de geur lang in het toestel blijven hangen en eventueel verontreiniging van het toestel veroorzaken.



Materiële schade

Het toestel moet aansluitend op de wand geplaatst worden.

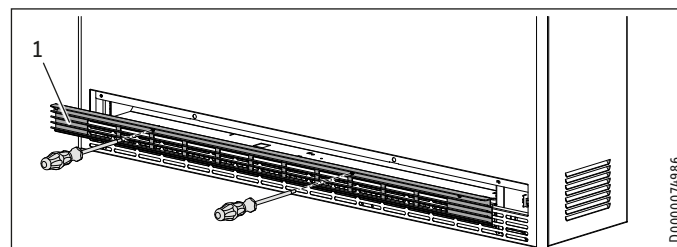
11.2 Minimumafstanden



- ▶ Controleer of de warme lucht ongehinderd uit het toestel kan stromen.

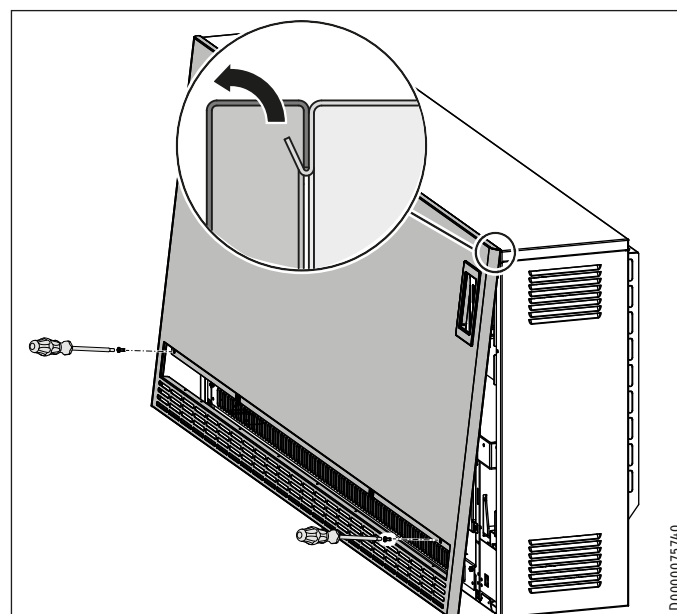
12. Montage

12.1 Toestel openen

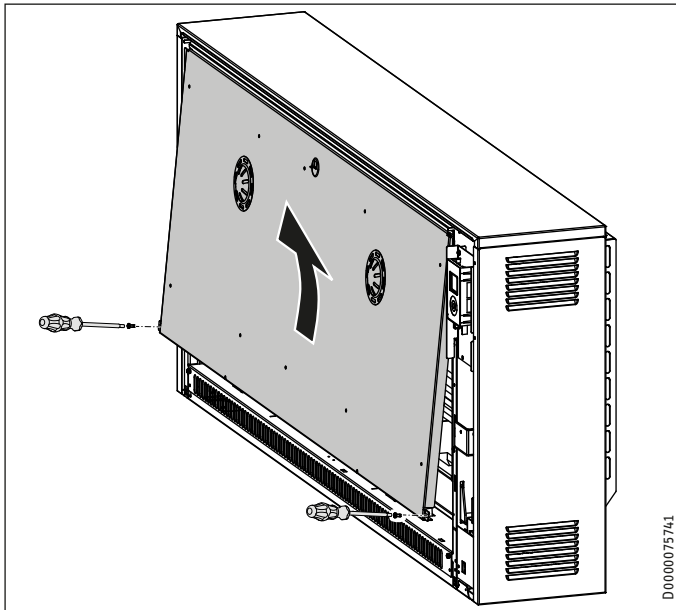


- 1 Luchtafvoerrooster

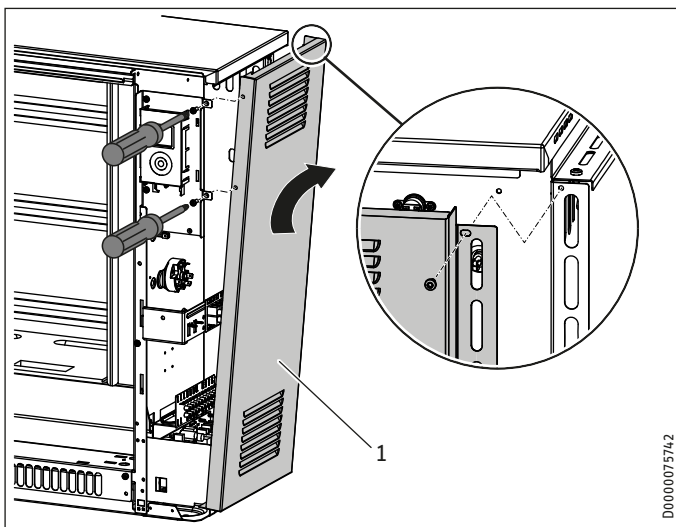
- ▶ Draai de beide kwart-draaisluitingen van het luchtafvoerrooster los en verwijder het rooster.



- ▶ Maak de schroeven aan de voorwand los.
- ▶ Trek de voorwand naar voren en til deze van het toestel.



- ▶ Draai de schroeven van de inwendige voorwand aan de onderste schuine kant los.
- ▶ Trek de binnenste voorwand naar voren en til deze van het toestel.



1 Rechterzijwand (met losgemaakte schroefkoppeling)

- ▶ Maak de 3 schroeven voor en achter aan de rechterzijwand los.
- ▶ Trek de zijwand iets naar voren en kantel deze omhoog naar de zijkant.
- ▶ Til de zijwand iets op en verwijder deze.

12.2 Opladregeling instellen



Info
Houd rekening met het volgende. Na montage kunt u deze instellingen afhankelijk van de montageplaats en de montagevariant in bepaalde gevallen slechts beperkt uitvoeren.

12.2.1 Aansluitvermogen reduceren

De aansluitcapaciteit van het toestel is in de fabriek bedraad voor het maximaal vermogen (100%).

Door het omzetten of verwijderen van bruggen op de aansluitklemmen kunt u het aansluitvermogen met 3 vermogenstrappen reduceren (zie hoofdstuk "Technische gegevens/aansluitvermogen reduceren").

De dimensionering van de kabeldiameter en de beveiliging moeten zo uitgevoerd worden dat ze geschikt zijn voor het maximaal mogelijke vermogen van het toestel.



Info

Neem de voorschriften van het plaatselijke energiebedrijf in acht.

12.2.2 Vermogensaanpassing overeenkomstig een verhoogde nominale oplaadduur

Door het verplaatsen resp. verwijderen van bruggen op de aansluitklemmen kan het aansluitvermogen aangepast worden aan de door het energiebedrijf vastgestelde nominale oplaadduur. In de fabriek is de warmteaccumulator gedimensioneerd voor de volgende nominale oplaadduur:

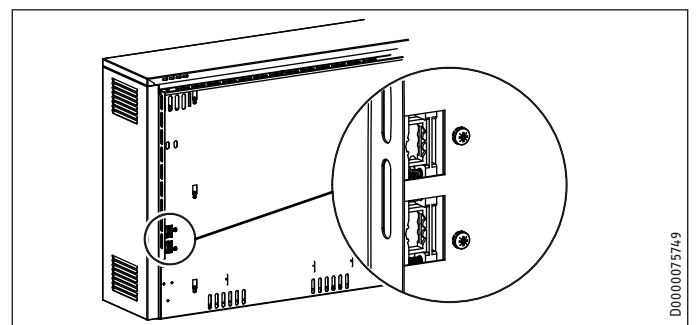
- 8 uur SHF | SHS
- 7 uur SHL

Houd rekening met de gegevens in het hoofdstuk "Technische gegevens/vermogensaanpassing".

12.2.3 Aansluiting op DC-stuursignaal

Wanneer in de installatie een oplaadsturing met DC-stuursignaal (gelijkspanning 0,91 V - 1,43 V) geïnstalleerd is, heeft u de module DC Control Input (toebehoren) nodig. Het DC-stuursignaal moet aan klemmen A1/Z1 "DC + (pluspool)" en A2/Z2 "DC - (minpool)" op de klemmenstrip X3 aangesloten worden. Let op de polariteit.

12.3 Netaansluiting/aansluitkabels



WAARSCHUWING elektrische schok

▶ Voordat er werkzaamheden aan het toestel uitgevoerd worden, dient u de aansluitkabels in de schakelkast spanningsvrij te schakelen.

▶ Leid de kabels voor netvoeding en de kabels voor oplaad- en ontladregelaar door de openingen in de achterwand van het toestel naar binnen en sluit deze aan (zie hoofdstuk "Technische gegevens/schakelschema").

- ▶ Zet de aansluitkabels ca. 260 mm af en kort deze naar behoefte in. De kabels mogen niet tegen de luchtspleten in de zijwand komen.

12.4 Elektrische aansluiting

12.4.1 Algemeen



WAARSCHUWING elektrische schok
Bij aansluiting van het toestel op een automatische op-
laadsturing kan er, ook als de zekeringen zijn verwijderd,
spanning optreden op de klemmen A1/Z1 en A2/Z2!



WAARSCHUWING elektrische schok
De veiligheidssticker "Achtung - Fernsteuerung! [Opge-
let - afstandsbediening!]" op de hoekplaat van de net-
aansluitklem moet met de meegeleverde veiligheidsstic-
ker in de betreffende landstaal beplakt worden.

De elektrische aansluiting van de verwarmingselementen ge-
schiedt met 3/N/PE~400 V. Met de module éénfase-aansluiting
(toeboren) is ook aansluiting met 1/N/PE~230 V mogelijk.

Aansluiting met NYM is mogelijk. Het aantal voedingskabels en
kabeladers, alsmede de kabeldiameters zijn afhankelijk van de
aansluitwaarde van het toestel en de soort netaansluiting, evenals
bijzondere voorschriften van de energiebedrijven.

Houd rekening met het schakelschema en de vermogenstrappen
(zie hoofdstuk "Technische gegevens").

12.4.2 Het toestel aansluiten



WAARSCHUWING elektrische schok
Het is absoluut noodzakelijk om te zorgen voor een on-
berispelijke aansluiting van de aardleiding.



WAARSCHUWING elektrische schok
Aansluitkabels mogen niet beschadigd raken, eraf ge-
trokken of uit het toestel getrokken worden.
▶ Plaats de aansluitkabels dienovereenkomstig.



Info
Klemmen L en N van klemmenstrip X2 moeten continu
onder spanning staan.

- ▶ Zorg voor trekontlasting van de aansluitkabels en sluit die
overeenkomstig het schakelschema in het toestel (op de bin-
nenzijde van de rechterzijwand) of conform het schakelsche-
ma in het hoofdstuk "Technische gegevens" aan.

Wanneer de hoekplaat die in de schakelruimte is gemonteerd voor
de bevestiging van de netaansluitklemmen, moeilijk bereikbaar is
omdat de afstand tot de zijkant te beperkt is, kunt u die plaat naar
voren zwenken nadat u de bevestigingsschroef hebt losgedraaid.

12.4.3 Aansturing zonder verwarmingsbeveiliging

Als er geen verwarmingsbeveiliging gemonteerd moet worden
(soms door het energiebedrijf vereist), kan de functie van de elek-
tronica van de warmteaccumulator gebruikt worden.

- ▶ Daarvoor sluit u ofwel de signalen van het elektriciteitsbe-
drijf LF en N ofwel de signalen SH en N van de betreffende
oplaadsturing rechtstreeks aan op de klemmen LF/SH en N
van de warmteaccumulator.
- ▶ Stel in het configuratiemenu parameter P15 in op 1 (zie
hoofdstuk "Installatie/configuratiemenu").

De verwarmingselementen in het toestel worden pas ingescha-
keld, wanneer het energiebedrijf LF heeft vrijgegeven en de elek-
tronische oplaadregelaar het opladen vrijgeeft.

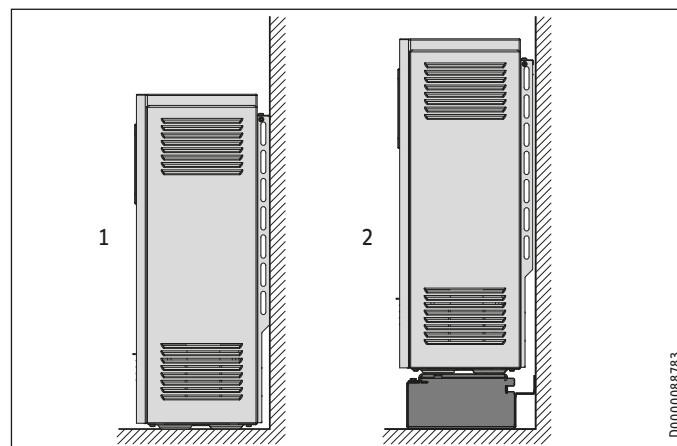
12.4.4 Typeplaatje toestel



Info
Documenteer het aansluitvermogen en de nominale op-
laadduur.

- ▶ Markeer daarvoor de betreffende vakjes op het typeplaatje.

12.5 Vloermontage



- 1 Vloermontage
- 2 Opstelling met vloerconsole's

Het montagevlak voor het toestel moet effen zijn en voldoende
draagvermogen hebben. Meer gegevens over het gewicht van het
toestel vindt u in het hoofdstuk "Technische gegevens/gegevensta-
bel". Neem bij twijfel contact op met een bouwexpert.

De toestellen kunnen op iedere gangbare vloer geplaatst worden,
maar in de steunzone kunnen bij PVC-, parket- en lang- of hoogpo-
lige tapijtvloeren onder druk en warmte-inwerking veranderingen
optreden. In deze gevallen moeten warmtebestendige onderleg-
platen gebruikt worden (ter plaatse aan te schaffen).

De stabiliteit van het toestel moet verzekerd worden door beves-
tiging op de wand of op de vloer.

Wandmontage

Voor montage aan de wand bij een wand met voldoende draag-
vermogen is in de achterwand van het toestel ter hoogte van de
schakelruimte een gat aangebracht.

- ▶ Schroef het toestel met een geschikte schroef vast aan de
wand zodat het niet kan kantelen.

Vloerbevestiging

Optioneel kunt u het toestel door vier gaten (Ø 9 mm) in de toestelvoeten aan de vloer vastschroeven.

- ▶ Demonteer het luchtafvoerrooster, de voorwand en de luchtgeleidingsmodule (zie hoofdstuk "Montage/Toestel openen" en "Het toestel reinigen").
- ▶ Schroef het toestel met geschikte schroeven vast aan de vloer.

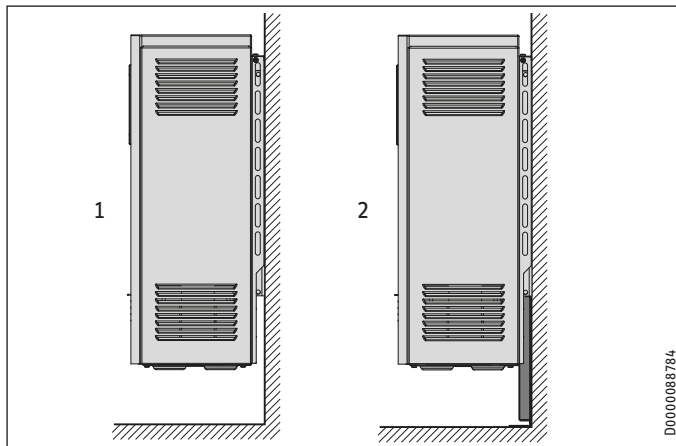
12.5.1 Opstelling met vloerconsoles

De Vario-console (toebehoren) maakt opstelling van het toestel mogelijk met een vrije afstand tot de vloer.

Wanneer wandbevestiging van het toestel mogelijk is aan een wand met voldoende draagvermogen, is het alleen nodig om de console onder de toestelvoeten vast te schroeven.

Wanneer er geen geschikte bevestigingswand aanwezig is, moet de console vastgeschroefd worden aan de vloer en aan de voeten van het toestel.

12.6 Montagevarianten SHS



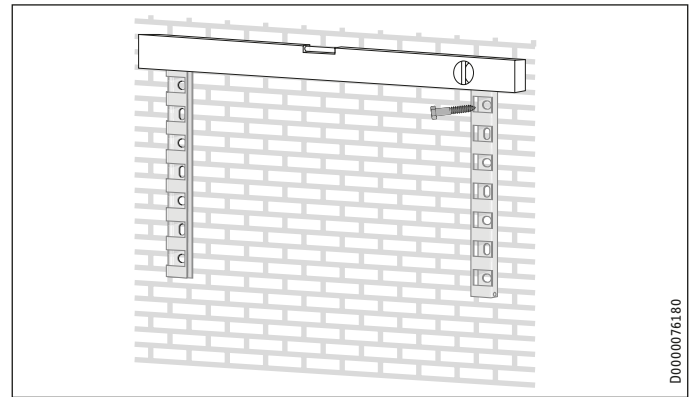
- 1 Montage bij voldoende draagkrachtige wand met wandhouder (SHS 1200-3600)
- 2 Montage bij onvoldoende draagkrachtige wand met steunconsole

12.6.1 Ophanging van het toestel met wandhouders

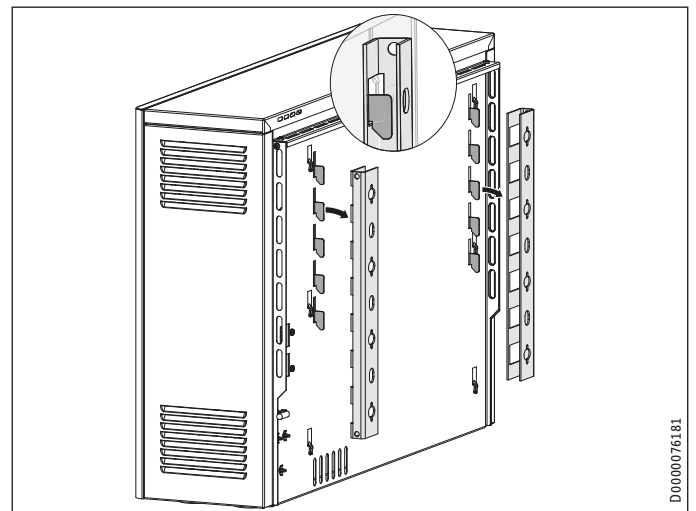
Houd bij deze vorm van montage rekening met het volgende:

Als er een wand met voldoende draagvermogen is, kunt u het toestel met de meegeleverde wandhouders aan de opstelwand bevestigen. Daarbij geldt het volgende:

- SHS 1200-3600: De wandhouder draagt het gewicht van het toestel.
- SHS 4200-4800: De wandhouder moet worden ondersteund met een bijkomende steunconsole (toebehoren).
- Bij een wand met beperkt draagvermogen heeft u voor de toestellen SHS 1200-3600 een extra steunconsole nodig (toebehoren).



- ▶ Schroef de beide wandhouders los van de achterwand van het toestel.
- ▶ Bevestig de wandhouders en houd daarbij rekening met de minimale afstanden en de maten voor de gatafstanden op de bevestigingswand. (Afmetingen zie hoofdstuk "Minimale afstanden" en "Technische gegevens/Afmetingen en aansluitingen").



- ▶ Haak het toestel in de wandhouders.

12.7 Accumulatorstenen plaatsen



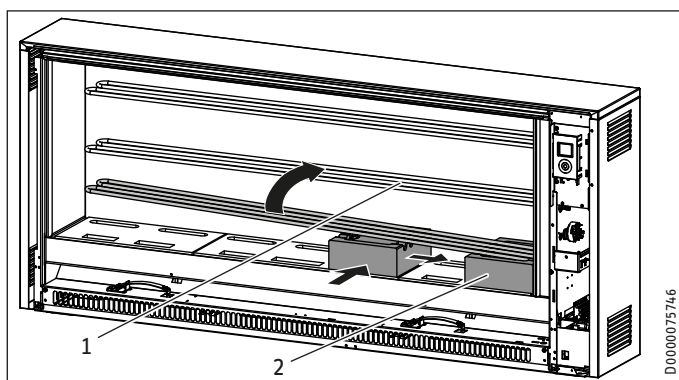
WAARSCHUWING verbranding
Beschadigd isolatiemateriaal kan leiden tot oververhitting van de behuizing.

- ▶ Controleer de warmte-isolatie in het toestel op transportschade.
- ▶ Vervang beschadigde delen van het isolatiemateriaal.

In het toestel mogen zich geen vreemd voorwerpen meer bevinden, zoals resten van verpakkingsmateriaal.

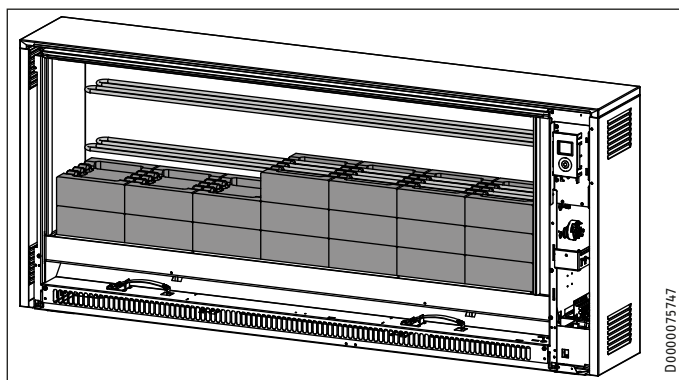
- ▶ Verwijder de afdekplaat en het karton uit het inwendige van het toestel.

De accumulatorstenen worden afzonderlijk verpakt geleverd. U kunt accumulatorstenen met lichte transportschade gebruiken. De werking van het toestel wordt daardoor niet nadelig beïnvloed.

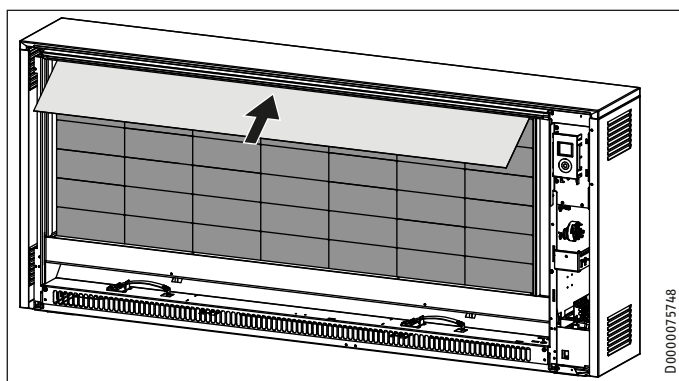


- 1 Verwarmingselement
2 Accumulatorsteen

- ▶ Til het verwarmingselement iets op om de accumulatorstenen te kunnen plaatsen.
- ▶ Let er bij het optillen van het verwarmingselement op dat de doorvoeropeningen in het isolatiemateriaal in de zijwand niet door het verwarmingselement worden opgerekt.
- ▶ Leg de eerste accumulatorsteen, met de uitholling voor het verwarmingselement omhoog op enige afstand van het isolatiemateriaal aan de rechterzijde.
- ▶ Schuif de accumulatorsteen tegen het isolatiemateriaal rechts en achteraan. De slobgaten vormen de luchtkanalen.



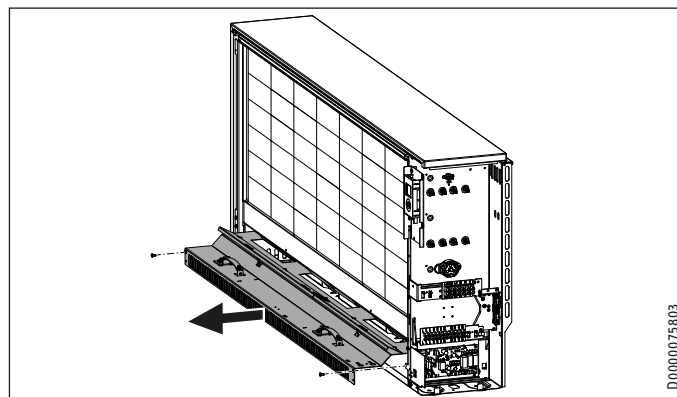
- ▶ Plaats de andere accumulatorstenen in de aangegeven volgorde.



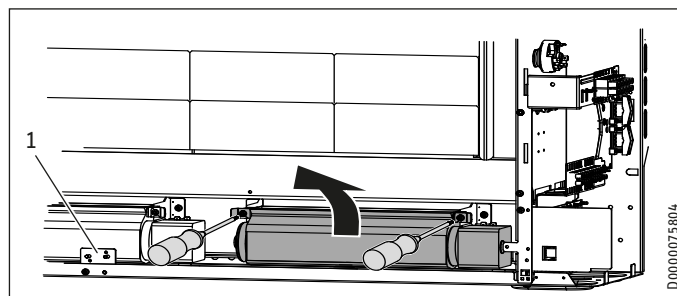
- ▶ Schuif de afdekplaat die u uit de binnenruimte had verwijderd, op de bovenste accumulatorstenen.

12.8 Het toestel reinigen

- ▶ Maak het toestel schoon nadat u het hebt gemonteerd en de accumulatorstenen hebt geplaatst. Ga daarvoor als volgt te werk:



- ▶ Demonteer de luchtleidingskit.



- 1 Veiligheidsthermostaat (N5)

- ▶ Hef de ventilator op en verwijder deze. Draai daarvoor de schroeven aan de voorzijde van de bevestigingsbeugels los.
- ▶ Let op de plaatsing van de kabels.

Bij sommige toestellen zult u daartoe eerst de veiligheidsthermostaat (N5) met de montageplaat af moeten schroeven.

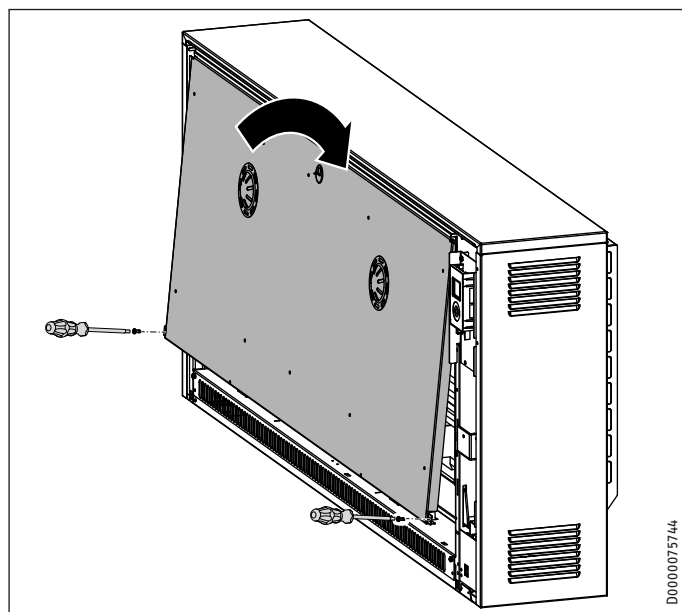


Materiële schade

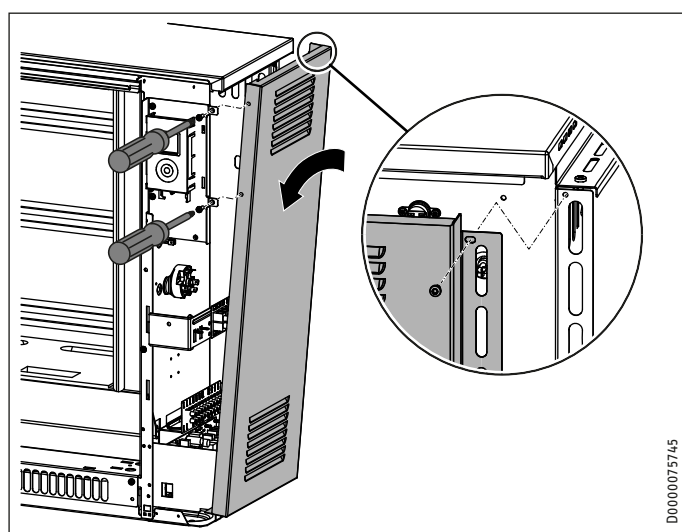
Let er bij het terzijde leggen van gedemonteerde onderdelen op dat de kabelstrengen niet beschadigd raken.

- ▶ Maak de bodemplaat en de ventilator schoon. Pas op dat u de lamellen niet beschadigt.
- ▶ Monteer vervolgens opnieuw de ventilator, eventueel de veiligheidsthermostaat en de luchtgeleidingsmodule.
- ▶ Let op de juiste plaatsing van de kabels.

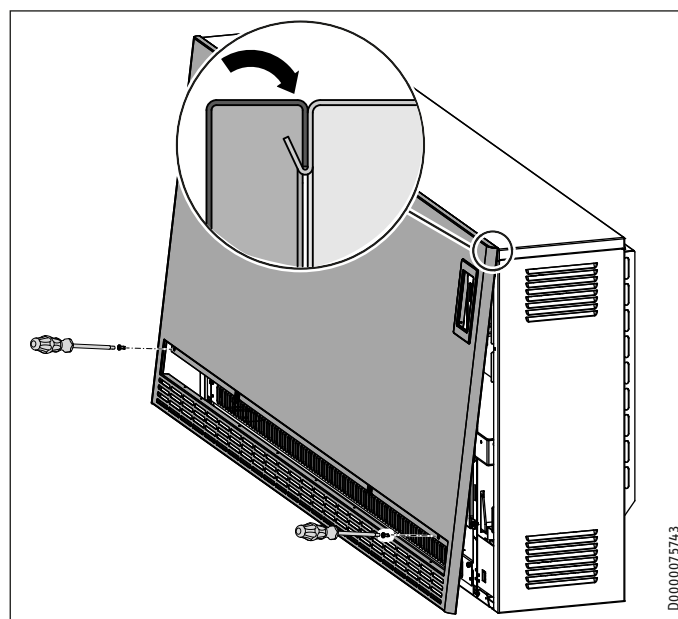
12.9 Het toestel sluiten



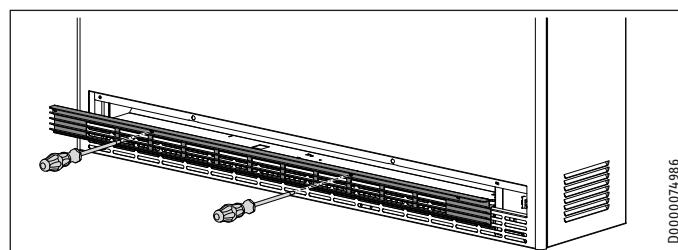
- ▶ Plaats de binnenste voorwand terug.



- ▶ Plaats de rechterzijwand aan de onderkant erin en kantel deze boven tegen het toestel aan.
- ▶ Haak de zijwand boven in het deksel en druk deze naar achter. Let erop dat de zijwand tegen de houdplaat van de bedieningseenheid ligt.
- ▶ Schroef de zijwand met de 3 schroeven incl. tandringen vast.



- ▶ Verwijder vóór montage van de voorwand de beschermfolie van de bedieningseenheid.
- ▶ Plaats de voorwand weer terug.
- ▶ Schroef de voorwand met de schroeven incl. tandringen vast.



- ▶ Zet het luchtafvoerrooster met de beide kwart-draaivergrendelingen vast.

13. Configuratiemenu

In het configuratiemenu zijn de actuele waarden en parameters onderverdeeld in twee toegangsniveaus.

Toegangsniveau	Beschrijving
A0	Actuele waarden en parameters die voor de gebruiker van het toestel vrijgegeven zijn en zonder code toegankelijk zijn. U kunt de parameters selecteren met de toets "+" of "-".
A1	Na de invoer van een cijfercode met vier posities worden aanvullende actuele waarden en parameters vrijgeschakeld die voorbehouden zijn aan de installateur. U kunt de parameters alleen selecteren met de toets "+".

Om naar het configuratiemenu te gaan, houdt u de toets "Menu" ingedrukt. Na ca. 3 seconden wordt de actuele waarde l1 weergegeven.

Actuele waarden en parameters op toegangsniveau A1 vrijgeven

- ▶ Roep met de toets "+" of "-" de menuoptie "CodE" op. Afwisselend met de menuoptie wordt toegangsniveau A0 weergegeven.
- ▶ Druk op de toets "OK". De code-invoer wordt weergegeven. Het eerste cijfer knippert.
- ▶ Voer met de toets "+" of "-" code 1000 in. Druk na elk ingevoerd cijfer op de toets "OK".

Nadat de code correct is ingevoerd, worden de actuele waarden en parameters zichtbaar die eerder waren geblokkeerd.

Wanneer u de waarde van een parameter wijzigen wilt, roept u de overeenkomstige parameter op met de toets "+". Druk op de toets "OK".

Zodra het symbool "Parameter bewerkbaar" verschijnt, kunt u de waarde van de parameter wijzigen met de toetsen "+" en "-". Druk op de toets "OK" om de ingestelde waarde op te slaan.

Wanneer u op toets "Menu" drukt of langer dan 10 minuten geen bediening uitvoert, gaat het toestel automatisch naar de standaardweergave. De parameterblokkering is weer geactiveerd.

Weergave	Toegangsniveau	Betekenis	Opties	Beschrijving
I1*	A0	Actuele waarde kamertemperatuur [°C °F]		
I2	A0	Relatieve verwarmingsduur [h]		
I3	A1	Gewenste oplaadgraad volgende oplading [%]		
I4	A1	Actuele oplaadgraad [%]		
Pro1*	A0	Tijdprogramma Pro1		
Pro2*	A0	Tijdprogramma Pro2		
Pro3*	A0	Tijdprogramma Pro3		
P1*	A0	Offset kamertemperatuur	±3 °C ±5 °F	
P2*	A0	Tijdnotatie	12 h 24 h	
P3*	A0	Eenheid temperatuurweergave	°C °F	
P4*	A0	Tijdprogramma's resetten	on off	
P5	A0	Relatieve verwarmingsduur resetten	on off	
P6	A1	SL-stuursignaal	0 1	SL-ingang gedeactiveerd (fabrieksinstelling): De besturing van de ventilator gebeurt via de geïntegreerde kamerthermostaat. SL-ingang geactiveerd: De besturing van de ventilator gebeurt via een aan de wand gemonteerde 2-punts kamerthermostaat.
P7*	A1	Type ventilatorbesturing	0 1	Tweepuntregeling: De ventilator wordt door de geïntegreerde kamerthermostaat, afhankelijk van de warmtebehoefte, in- en uitgeschakeld. Proportionele regeling (fabrieksinstelling): Het toerental van de ventilatormotoren wordt door de geïntegreerde kamerthermostaat traploos aangepast aan de warmtebehoefte.
P8	A1	Uitschakeltemperatuur verlagen	100% 90% 80% 70%	In combinatie met het aanpasbare aansluitvermogen kunnen vier verschillende oplaadtrappen voor de elektronische oplaadregelaar ingesteld worden. De instelling af fabriek is 100 % (geen verlaging). Wanneer een andere instelling gekozen wordt, ontstaat een gereduceerde oplaadgraad (de uitschakeltemperatuur van de elektronische oplaadregelaar wordt verlaagd). Zie het hoofdstuk "Technische gegevens/Aansluitvermogen verlagen met inachtneming van de nominale oplaadduur".
P12	A1	Bijverwarming (toebehoren)	0 1	Wanneer in het toestel geen bijverwarming geïnstalleerd is (fabrieksinstelling). De in het toestel geïnstalleerde bijverwarming wordt geactiveerd.
P14	A1	Bron gewenste oplaadgraad	1 2 3 4	De oplaadhoeveelheid wordt alleen via de afzwakking van de oplaadgraad ingesteld. De oplaadstuurkabel is aangesloten op een AC-stuursignaal (fabrieksinstelling). Het ED-systeem en het storingsgedrag kunnen via parameters P17 en P18 ingesteld worden. De oplaadstuurkabel is aangesloten op een DC-stuursignaal. Het storingsgedrag kan via parameter P18 ingesteld worden. De oplaadhoeveelheid wordt bepaald via de kamertemperatuurafhankelijke oplaadregeling. Vrijgave van de oplading kan via parameter P15 geselecteerd worden (P15=1 of P15=3).

Weergave Toegangs-niveau	Betekenis	Opties	Beschrijving
P15 A1	Bron vrijgave laag tarief	0	Permanente vrijgave (fabrieksinstelling): De verwarmingselementen worden ingeschakeld, wanneer de verwarmingscontactor en de elektronische oplaadregelaar de oplading vrijgeven.
		1	Vrijgave via hardware-sigitaal LF: De verwarmingselementen worden pas ingeschakeld, wanneer het energiebedrijf LF heeft vrijgegeven en de elektronische oplaadregelaar het opladen vrijgeeft. Het LF-sigitaal van de energiemaatschappij moet aangesloten zijn op klem LF/SH.
		3	Vrijgave via interne klok: De verwarmingselementen worden pas ingeschakeld, wanneer de interne klok deze heeft vrijgegeven en de elektronische oplaadregelaar het opladen vrijgeeft. Een vrijgave is slechts mogelijk binnen 24 uur. Het begintijdstip van de vrijgave wordt via parameter P19 en de oplaadduur via parameter P20 ingesteld.
P17 A1	ED-systeem	30% - 80%	De oplaadstuurkabel moet op een AC-stuursigitaal (wisselspanningssigitaal aan klemmen A1 en A2) aangesloten zijn. De elektronische oplaadregelaar van het toestel kan op oplaadsturingen van de ED-systemen 80 %, 72 %, 68 %, 40 % en 37 % gebruikt worden. De instelling af fabriek is voor 80 % ED-systemen voorzien. Wanneer het toestel op andere ED-systemen gebruikt wordt, dan moet deze parameter op het betreffende percentage ingesteld worden.
P18 A1	Storingsgedrag	0	Het toestel is ingesteld op "negatief storingsgedrag" (geen oplading van de warmteaccumulator bij defecte oplaadsturing). Deze instelling is alleen bij bedrijf met digitale oplaadsturingen mogelijk. Bij AC-oplaadsturingen is bovendien een 80 % ED-sigitaal vereist.
		1	Het toestel is ingesteld op "positief storingsgedrag" (fabrieksinstelling). Bij een defecte oplaadsturing (bijv. wegvallen van het stuursigitaal) wordt het toestel volledig opgeladen.
P19 A1	Begintijdstip van de vrijgave via de klok	- - -	Het begintijdstip van de laadvrijgave via de interne klok instellen. Af fabriek is de instelling 0:00 uur. Let er bij het instellen van de begintijd op dat de dag van de week en de tijd correct ingesteld zijn.
P20 A1	Duur van de vrijgave via de klok	00:00 h - 22:00 h	De oplaadduur van de laadvrijgave via de interne klok instellen. Af fabriek is de instelling 8 uur. De maximale oplaadduur bedraagt 22 uur.

* Wordt alleen weergegeven, wanneer de ventilatorbesturing via de geïntegreerde kamerthermostaat plaatsvindt.

14. Ingebruikname

14.1 Controle voor de opstart

U kunt voor de ingebruikname een werkingstest uitvoeren. Roep daarvoor de ingebruiknamemodus in het configuratiemenu op.

- Om naar het configuratiemenu te gaan, houdt u de toets "Menu" ca. 3 seconden ingedrukt.

Eerst moet u toegangsniveau A1 vrijschakelen, dat voorbehouden is aan de installateur.

- Roep met de toets "+" of "-" de menuoptie "CodE" op.
- Druk op de toets "OK".
De code-invoer wordt weergegeven. Het eerste cijfer knippert.
- Voer met de toets "+" of "-" code 1000 in. Druk na elk ingevoerd cijfer op de toets "OK".
- Roep met de toets "+" de actuele waarde I4 op nadat u de correcte code ingevoerd hebt.
- Om naar de ingebruiknamemodus te gaan, houdt u de toetsen "Menu" en "+" tegelijkertijd ca. 3 seconden ingedrukt.

Een eerste oplading vindt plaats in de ingebruiknamemodus. De oplaadhoeveelheid komt overeen met de instelling op de afzwakking van de oplaadgraad. Op het display wordt de voortgang van de oplading in procent weergegeven.



Info

- Wanneer de afzwakking van de oplaadgraad op 0 % ingesteld is, wordt er niet opgeladen.
- Na het bereiken van de oplaadhoeveelheid verlaat het toestel de ingebruiknamemodus automatisch.

- Controleer de werking van de ventilator door de ventilatorvrijgave in te schakelen met de toets "Ventilator".
- Om de ingebruiknamemodus te verlaten, houdt u de toetsen "Menu" en "-" tegelijkertijd ca. 3 seconden ingedrukt.

14.2 Eerste ingebruikname

U kunt het toestel direct in gebruik nemen nadat de montage uitgevoerd werd.

- Stel de oplading in via de afzwakking van de oplaadgraad of de oplaadsturing.

14.2.1 Opladen

Bij de eerste oplading is het mogelijk dat er iets gaat ruiken.

- Zorg voor voldoende ventilatie van de ruimte. Door een venster te kantelen kunt u bijvoorbeeld een 1,5-voudige luchtverversing realiseren.

Wanneer u het toestel in de slaapkamer opstelt, is het niet toegestaan tijdens het slapen voor het eerst op te laden.

15. Het toestel ombouwen

Bij ombouw, aanbouw of inbouw dient u de handleiding in acht te nemen die bij de bouwset werd geleverd.

16. Overdracht

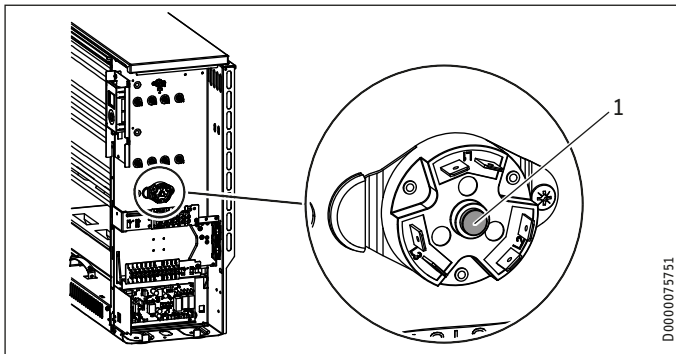
Leg aan de gebruiker uit hoe het toestel werkt. Schenk daarbij vooral aandacht aan de veiligheidsaanwijzingen. Geef deze bedienings- en installatiehandleiding aan de gebruiker.

17. Storingen verhelpen

17.1 Storingstabel

Storing	Oorzaak	Oplossing
Het toestel wordt niet warm.	De aansturing van de beveiliging van het verwarmingselement is niet in orde.	Controleer de aansturing van de beveiliging van het verwarmingselement.
	Geen netspanning in de warmteaccumulator.	Controleer de zekering in hoofdverdeling.
	Geen netspanning op de oplaadregelaar.	Controleer de stroomvoorziening. Zie hoofdstuk "Elektrische aansluiting" en/of "Technische gegevens".
	De veiligheidstemperatuurbegrenzer (F1) is geactiveerd.	Schakel de temperatuurbegrenzer opnieuw vrij (zie hoofdstuk "Veiligheidstemperatuurbegrenzer vrijschakelen").
	De oplaadsturing is verkeerd ingesteld.	Controleer de instellingen van de oplaadsturing.
Het toestel wordt bij milde buitentemperaturen te veel opgeladen (terwijl een oplaadsturing wordt gebruikt).	De oplaadregelaar werkt niet goed.	Controleer de instellingen van parameters P14, P15, P17 en P18 in het configuratiemenu (zie hoofdstuk "Installatie/configuratiemenu").
	De overdracht van het stuursignaal is onderbroken.	Controleer of het stuursignaal van de oplaadsturing in de warmteaccumulator beschikbaar is.
	De stooklijn is verkeerd ingesteld.	Controleer de instellingen van de oplaadsturing
Het toestel wordt bij milde buitentemperaturen te veel opgeladen (wanneer het opladen handmatig is ingesteld).	De buitentemperatuursensor is defect.	Meet de buitentemperatuursensor door en vervang deze eventueel.
	De oplaadregelaar verstuurt een verkeerd stuursignaal.	Controleer de instellingen van parameters P17 en P18 in het configuratiemenu (zie hoofdstuk "Installatie/configuratiemenu").
	Instellingen van de afzwakking van de oplaadgraad op de warmteaccumulator.	Controleer de instelling van de afzwakking van de oplaadgraad.
De kamer is bij kamertemperatuurafhankelijke oplaadregeling 's avonds voortdurend te warm.	Het energieniveau in het toestel is te hoog.	Verlaag het energieniveau in het toestel met de afzwakking van de oplaadgraad.
Het toestel wordt niet ontladen.	De ventilatoren draaien niet.	Controleer de instellingen van parameter P6 in het configuratiemenu (zie hoofdstuk "Installatie/configuratiemenu"). ... of de ventilatorvrijgave is ingeschakeld. ... of de ventilatorspanning in de warmteaccumulator aanwezig is.
	De pluizenzeef in de luchttoevoer is verstopt.	Reinig de pluizenzeef. Zie het hoofdstuk "Reiniging, verzorging en onderhoud". Controleer of de luchttoevoer gehinderd wordt, bijvoorbeeld door een hoogpolig tapijt. Controleer of de veiligheidsthermostaat (N5) in de luchtafvoer is geactiveerd.
Op het display verschijnt de foutcode "E1".	De kamertemperatuursensor is defect.	Meet de kamertemperatuursensor door en vervang deze eventueel.
Op het display verschijnt de foutcode "E2".	De kerntemperatuursensor is defect.	Meet de kerntemperatuursensor door en vervang deze eventueel.
Op het display verschijnt de foutcode "E3".	De polen van het DC-stuursignaal zijn verwisseld.	Controleer de aansluiting van het DC-stuursignaal.

17.1.1 Veiligheidstemperatuurbegrenzer (F1) vrijgeschakelen








1 Resetknop veiligheidstemperatuurbegrenzer

De veiligheidstemperatuurbegrenzer kan na het verhelpen van de oorzaak van de storing door het indrukken van de resetknop weer vrijgeschakeld worden.

17.2 Symbolen op het typeplaatje



Symbolen op het typeplaatje (voorbeeld SHF 7000)

-  Totaalgewicht
-  Opladen
-  Ontlading
-  Bijverwarming
-  Ventilator

18. Onderhoud en reiniging

Het ventilatorkanaal achter het luchtafvoerrooster moet om de twee jaar worden gecontroleerd. In het kanaal zet zich gemakkelijk vuil af.



Info

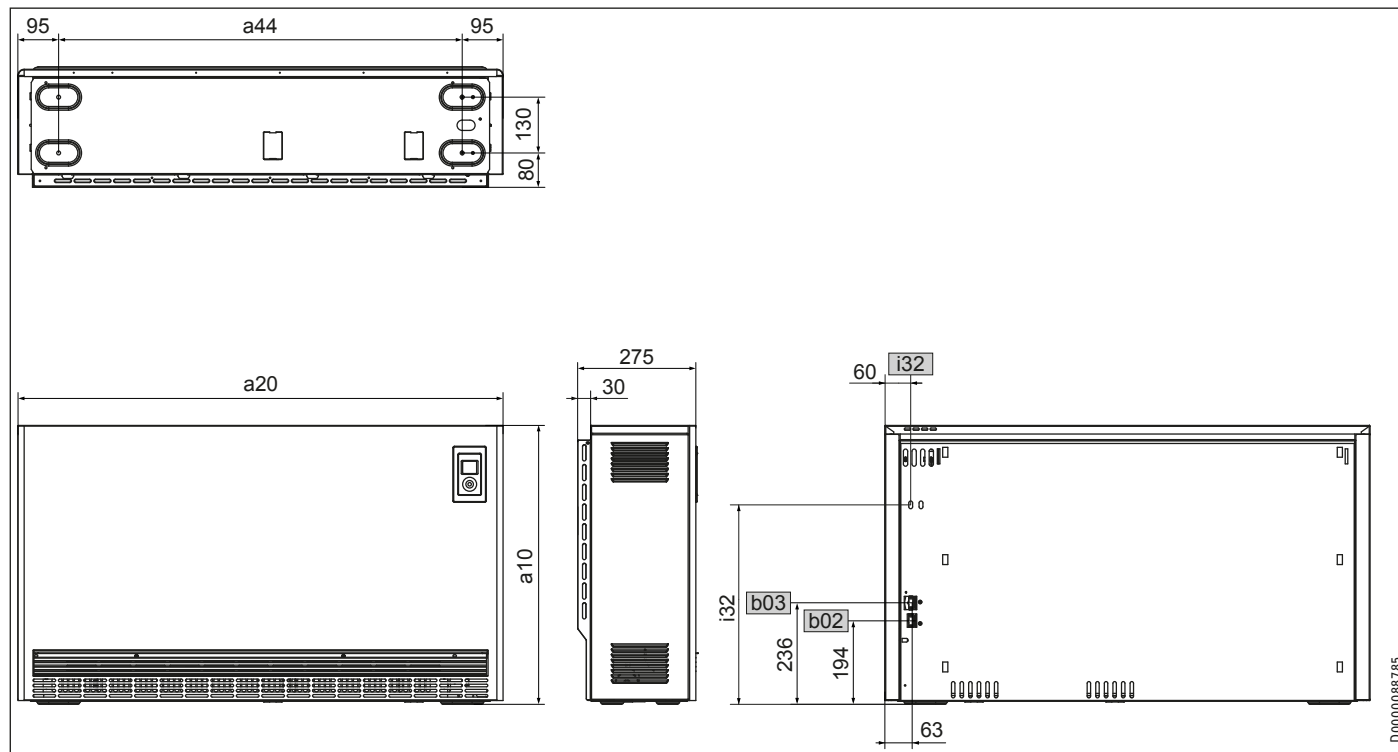
Het is aan te bevelen tijdens regelmatige onderhoudsbeurten ook de controle- en regelinrichtingen te laten controleren.

- ▶ Laat de veiligheids-, controle- en regelinrichtingen, alsmede het volledige op- en ontladstuursysteem uiterlijk 10 jaar na de eerste ingebruikname controleren door een installateur.

19. Technische gegevens

19.1 Afmetingen en aansluitingen

SHF | SHL



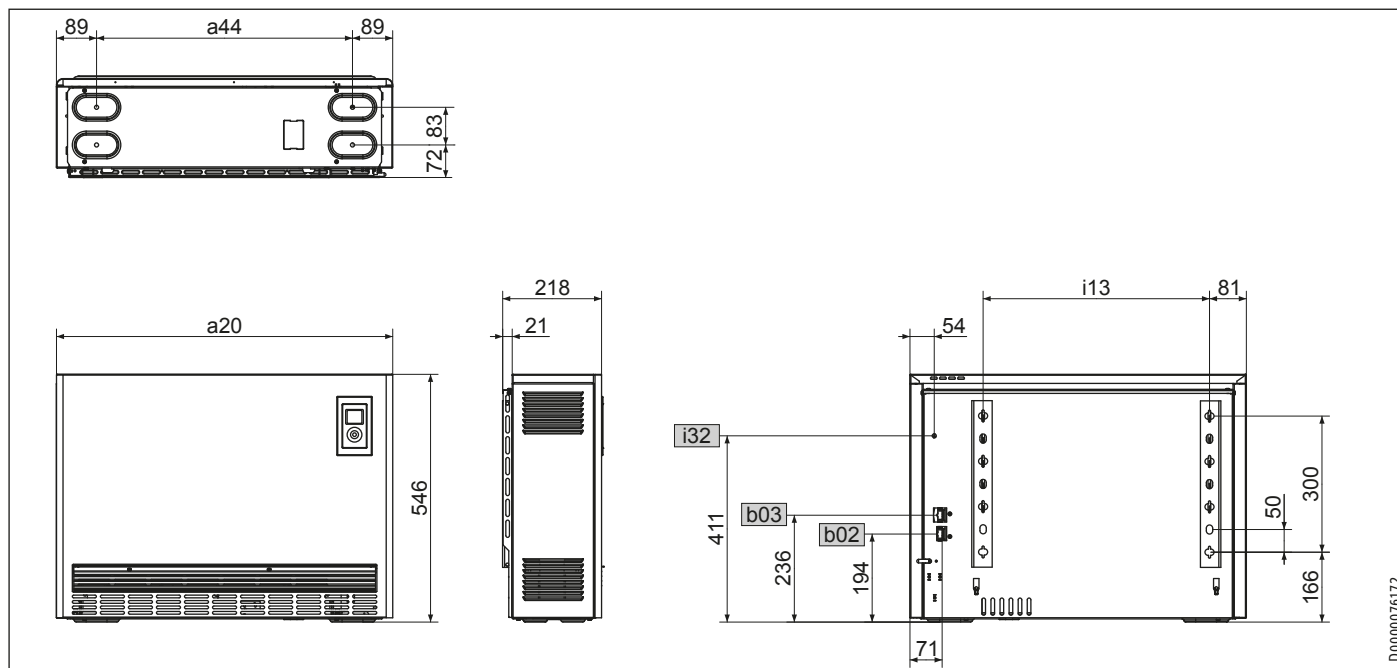
D000008785

			SHF 2000	SHF 3000	SHF 4000	SHF 5000	SHF 6000	SHF 7000	SHL 3500	SHL 5000
a10	Toestel	Hoogte	mm	650	650	650	650	650	490	490
a20	Toestel	Breedte	mm	605	780	955	1130	1305	1130	1480
a44	Toestel	Afstand stelvoeten	mm	415	590	765	940	1115	940	1290
b02	Doorvoer elektr. kabels I									
b03	Doorvoer elektr. kabels II									
i32	Bevestiging	Hoogte	mm	464	464	464	464	464	306	306

INSTALLATIE

Technische gegevens

SHS

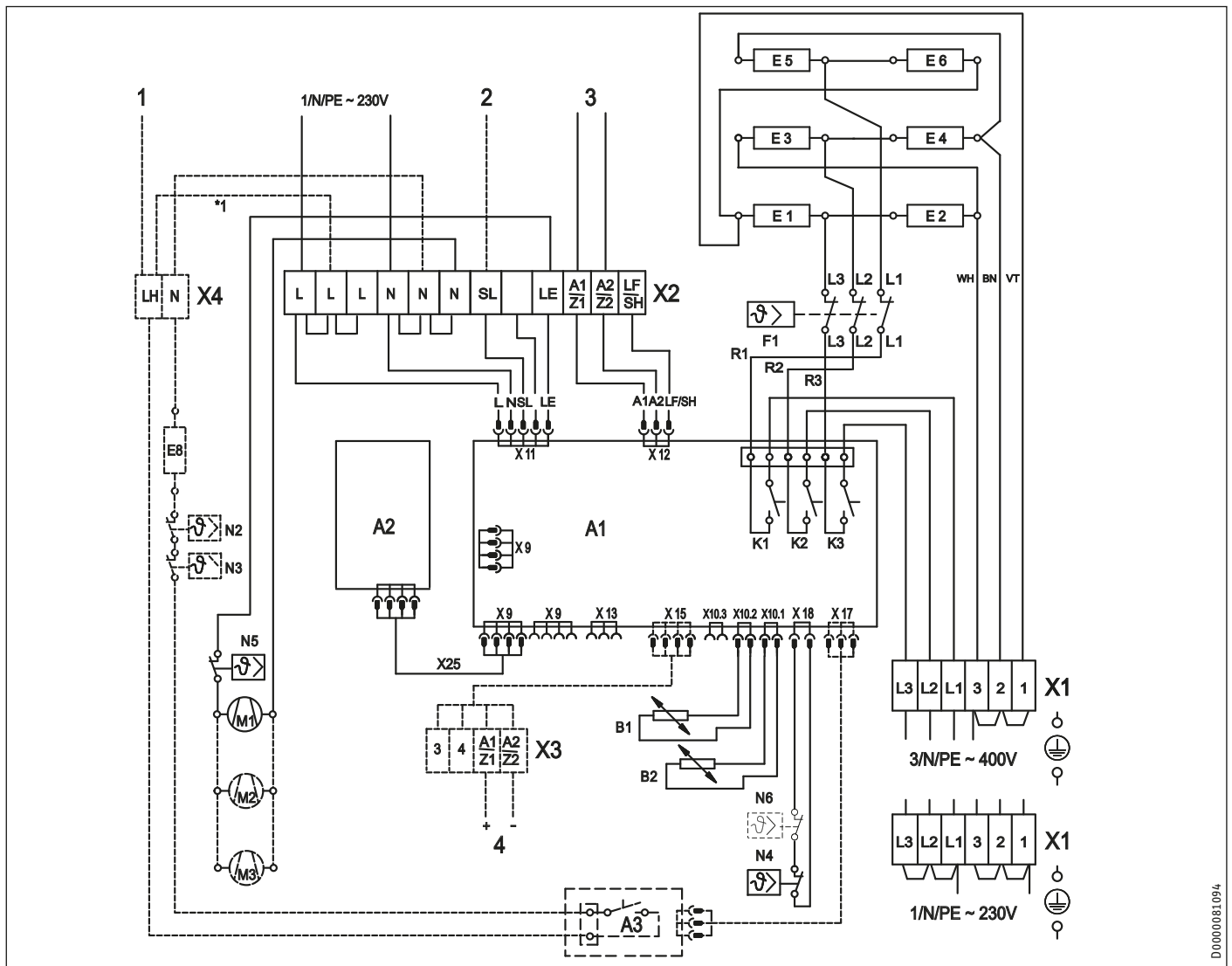


D0000076172

NEDERLANDS

			SHS 1200	SHS 1800	SHS 2400	SHS 3000	SHS 3600	SHS 4200	SHS 4800	
a20	Toestel	Breedte	mm	580	741	902	1063	1224	1385	1546
a44	Toestel	Afstand stelvoeten	mm	402	563	724	885	1046	1207	1368
b02	Doorvoer elektr. kabels I									
b03	Doorvoer elektr. kabels II									
i13	Wandbevestiging	Gatafstand horizontaal	mm	337,5	498,5	659,5	820,5	981,5	1142,5	1303,5
i32	Bevestiging									

19.2 Schakelschema



Accumulatorgedeelte

- A1 Elektronische op-/ontlaadregelaar
- A2 Elektronica bedieningspaneel
- B1 Kernsensor - oplading
- B2 Kamertemperatuursensor - ontleding
- F1 Veiligheidstemperatuurbegrenzer
- E1 - E6 Verwarmingselement
- M1 - M3 Ventilator warmteaccumulator
- N4 Temperatuurbegrenzer oplading
- N5 Bescherm-temperatuurregelaar
- N6 Temperatuurbegrenzer - oplaadgraad
alleen SHF 6000-7000, SHS 3000-4800, SHL 5000
- X25 Verbindingskabel intern A1 - A2
- X1 Netaansluitklem
- X2 Aansluitklem

Toebehoren

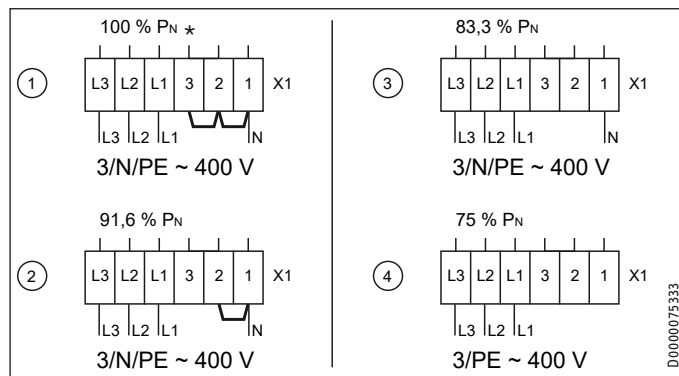
(Maakt geen deel uit van de leveringsomvang. Kruis telkens in de vakjes het betreffende ingebouwd toebehoren aan.)

- DC-aansluiting**
- X3 Aansluitklem (0,91 - 1,43 V)
- Bijverwarming** (aansturing intern)
*1/draad LH - L
- Bijverwarming** (aansturing extern)
- A3 Relaismodule bijverwarming
- E8 Bijkomend verwarmingselement
- N2 Temperatuurregelaar - bijverwarming
- N3 Temperatuurregelaar - bijverwarming
- X4 Aansluitklem

Aansluitingen

- 1 (LH) Bijverwarming aansturing extern (LH)
- 2 (SL) Ventilator aansturing extern (LE)
- 3 (A1/A2) AC-oplaadsturing 230 V-systeem
- 4 (A1/A2) DC-oplaadsturing laagspanningssysteem

19.3 Aansluitvermogen verlagen met verhoging van de nominale oplaadduur



* Seriebedrading

SHF | SHS

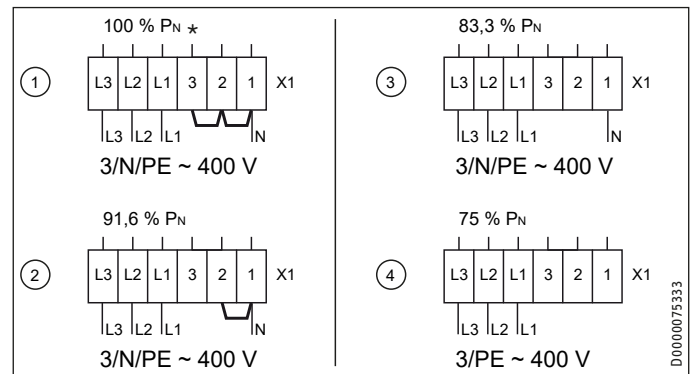
Vermogensvarianten					
Aansluitvarianten		①	②	③	④
Aansluitvermogens		100 %	91,6 %	83,3 %	75 %
Nominale oplaadduur		8 uur	9 uur	10 uur	-
Typen					
SHF 2000	kW	2,00	1,83	1,67	1,50
SHF 3000	kW	3,00	2,75	2,50	2,25
SHF 4000	kW	4,00	3,66	3,33	3,00
SHF 5000	kW	5,00	4,58	4,16	3,75
SHF 6000	kW	6,00	5,50	5,00	4,50
SHF 7000	kW	7,00	6,42	5,83	5,25
SHS 1200	kW	1,20	1,10	1,00	0,90
SHS 1800	kW	1,80	1,65	1,50	1,35
SHS 2400	kW	2,40	2,20	2,00	1,80
SHS 3000	kW	3,00	2,76	2,49	2,25
SHS 3600	kW	3,60	3,30	3,00	2,70
SHS 4200	kW	4,20	3,86	3,51	3,15
SHS 4800	kW	4,80	4,40	4,00	3,60

SHL

Vermogensvarianten					
Aansluitvarianten		①	②	③	④
Aansluitvermogens		100 %	91,6 %	83,3 %	75 %
Nominale oplaadduur		7 uur	8 uur	9 uur	10 uur
Typen					
SHL 3500	kW	3,50	3,21	2,92	2,63
SHL 5000	kW	5,00	4,58	4,16	3,75

19.4 Aansluitvermogen verlagen met inachtneming van de nominale oplaadduur

- Nominale oplaadduur SHL: 7 uur
- Nominale oplaadduur SHF | SHS: 8 uur



* Seriebedrading

Vermogensvarianten					
Aansluitvarianten		①	②	③	④
Aansluitvermogens		100 %	91,6 %	83,3 %	75 %
Via parameter P8 selecteerbare op-laadtrappen		100 %	90 %	80 %	70 %

INSTALLATIE

Technische gegevens

19.5 Gegevens over het energieverbruik

De productgegevens voldoen aan de EU-verordeningen betreffende de richtlijn voor milieuvriendelijke vormgeving van energiege-relateerde producten (ErP).

Productinformatie bij elektrische toestellen voor lokale ruimteverwarming (EU) 2015/1188

		SHF 2000	SHF 3000	SHF 4000	SHF 5000	SHF 6000	SHF 7000	SHL 3500	SHL 5000
		200175	200176	200177	200178	200179	200180	200304	200305
Fabrikant		STIEBEL ELTRON	STIEBEL ELTRON	STIEBEL ELTRON	STIEBEL ELTRON	STIEBEL ELTRON	STIEBEL ELTRON	STIEBEL ELTRON	STIEBEL ELTRON
Warmtevermogen									
Nominaal warmtevermogen P_{nom}	kW	1,0	1,5	2,0	2,5	3,0	3,5	1,5	2,2
Minimaal warmtevermogen (richtwaarde) P_{min}	kW	0,0	0,0	0,0	0,0	0,0	0,0	0,0	0,0
Maximaal continu warmtevermogen $P_{max,c}$	kW	1,3	2,3	3,0	3,5	4,3	4,9	2,7	3,9

		SHS 1200	SHS 1800	SHS 2400	SHS 3000	SHS 3600	SHS 4200	SHS 4800	
		200181	200182	200183	200184	200185	200186	200187	
Fabrikant		STIEBEL ELTRON	STIEBEL ELTRON	STIEBEL ELTRON	STIEBEL ELTRON	STIEBEL ELTRON	STIEBEL ELTRON	STIEBEL ELTRON	
Warmtevermogen									
Nominaal warmtevermogen P_{nom}	kW	0,6	0,9	1,2	1,5	1,8	2,1	2,4	
Minimaal warmtevermogen (richtwaarde) P_{min}	kW	0,0	0,0	0,0	0,0	0,0	0,0	0,0	
Maximaal continu warmtevermogen $P_{max,c}$	kW	1,0	1,5	1,8	2,2	2,6	2,8	3,7	

Hulpstroomverbruik									
Bij nominaal warmtevermogen e_{max}	kW	0,000	0,000	0,000	0,000	0,000	0,000	0,000	0,000
Bij minimaal warmtevermogen e_{min}	kW	0,000	0,000	0,000	0,000	0,000	0,000	0,000	0,000
In stand-bystand e_{SB}	kW	0,000	0,000	0,000	0,000	0,000	0,000	0,000	0,000
Soort regeling van de warmtetoever									
Handmatige regeling van de warmtetoever met geïntegreerde thermostaat		-	-	-	-	-	-	-	-
Handmatige regeling van de warmtetoever met retourmelding van de kamer- en/of buitentemperatuur		-	-	-	-	-	-	-	-
Elektronische regeling van de warmtetoever met retourmelding van de kamer- en/of buitentemperatuur		x	x	x	x	x	x	x	x
Warmteafgifte met ventilatorondersteuning		x	x	x	x	x	x	x	x
Soort warmtevermogen/kamertemperatuurcontrole									
Eentraps-warmtevermogen, geen kamertemperatuurcontrole		-	-	-	-	-	-	-	-
Twee of meer handmatig instelbare trappen, geen kamertemperatuurcontrole		-	-	-	-	-	-	-	-
Kamertemperatuurcontrole met mechanische thermostaat		-	-	-	-	-	-	-	-
Met elektronische kamertemperatuurcontrole		-	-	-	-	-	-	-	-
Elektronische kamertemperatuurcontrole en dagtijdsregeling		-	-	-	-	-	-	-	-
Elektronische kamertemperatuurcontrole en weekdagregeling		x	x	x	x	x	x	x	x
Andere regeloptyes									
Kamertemperatuurcontrole met aanwezigheidsherkenning		-	-	-	-	-	-	-	-
Kamertemperatuurcontrole met herkenning van open vensters		x	x	x	x	x	x	x	x
Met afstandsbedieningsoptie		-	-	-	-	-	-	-	-
Met adaptieve regeling van het verwarmingsbegin		x	x	x	x	x	x	x	x
Met werkingstijdsbegrenzing		-	-	-	-	-	-	-	-
Met zwarte-kogelsensor		-	-	-	-	-	-	-	-

19.6 Gegevenstabel

SHF | SHL

		SHF 2000	SHF 3000	SHF 4000	SHF 5000	SHF 6000	SHF 7000	SHL 3500	SHL 5000
		200175	200176	200177	200178	200179	200180	200304	200305
Elektrische gegevens									
Aansluitvermogen	W	2000	3000	4000	5000	6000	7000	3500	5000
Nominale spanning	V	400	400	400	400	400	400	400	400
Fasen		3/N/PE	3/N/PE	3/N/PE	3/N/PE	3/N/PE	3/N/PE	3/N/PE	3/N/PE
Frequentie	Hz	50/-	50/-	50/-	50/-	50/-	50/-	50/-	50/-
Nominale oplading	kWh	16	24	32	40	48	56	28	40
Elektrische bijverwarming	kW	0,35	0,50	0,80	1,00	1,20	1,50	1,00	1,50
Energiegegevens									
Jaarrendement elektrische verwarming η_s	%	39,5	39,5	39,5	39,5	39,5	39,5	39,5	39,5
Afmetingen									
Hoogte	mm	650	650	650	650	650	650	490	490
Breedte	mm	605	780	955	1130	1305	1480	1130	1480
Diepte	mm	275	275	275	275	275	275	275	275
Gewichten									
Gewicht	kg	32	40	48	56	64	72	55	71
Gewicht (met stenen)	kg	118	169	220	271	322	373	189	259
Uitvoeringen									
Kleur		alpinewit	alpinewit	alpinewit	alpinewit	alpinewit	alpinewit	alpinewit	alpinewit
Waarden									
Ladingsgraadreductie, 4-traps		100/90/80/70	100/90/80/70	100/90/80/70	100/90/80/70	100/90/80/70	100/90/80/70	100/90/80/70	100/90/80/70
Warmtebehoudend vermogen	%	47	52	55	56	59	60	49	50
Werkingsgeluid	dB(A)	30	32	33	34	34	34	34	35
Commerciële attributen									
Aantal steenpakketten		6	9	12	15	18	21	10	14

NEDERLANDS

SHS

		SHS 1200	SHS 1800	SHS 2400	SHS 3000	SHS 3600	SHS 4200	SHS 4800
		200181	200182	200183	200184	200185	200186	200187
Elektrische gegevens								
Aansluitvermogen	W	1200	1800	2400	3000	3600	4200	4800
Nominale spanning	V	400	400	400	400	400	400	400
Fasen		3/N/PE	3/N/PE	3/N/PE	3/N/PE	3/N/PE	3/N/PE	3/N/PE
Frequentie	Hz	50/-	50/-	50/-	50/-	50/-	50/-	50/-
Nominale oplading	kWh	9,6	14,4	19,2	24,0	28,8	33,6	38,4
Elektrische bijverwarming	kW	0,35	0,50	0,80	1,00	1,20	1,50	1,70
Energiegegevens								
Jaarrendement elektrische verwarming η_s	%	39,5	39,5	39,5	39,5	39,5	39,5	39,5
Afmetingen								
Hoogte	mm	546	546	546	546	546	546	546
Breedte	mm	580	741	902	1063	1224	1385	1546
Diepte	mm	218	218	218	218	218	218	218
Gewichten								
Gewicht	kg	24	30	37	43	50	57	63
Gewicht (met stenen)	kg	74	106	138	169	201	233	265
Uitvoeringen								
Kleur		alpinewit	alpinewit	alpinewit	alpinewit	alpinewit	alpinewit	alpinewit
Waarden								
Ladingsgraadreductie, 4-traps		100/90/80/70	100/90/80/70	100/90/80/70	100/90/80/70	100/90/80/70	100/90/80/70	100/90/80/70
Warmtebehoudend vermogen	%	39	44	46	48	49	51	51
Werkingsgeluid	dB(A)	29	28,5	31	32	32	32	32
Commerciële attributen								
Aantal steenpakketten		6	9	12	15	18	21	24

Garantie

Voor toestellen die buiten Duitsland zijn gekocht, gelden de garantievoorwaarden van onze Duitse ondernemingen niet. Bovendien kan in landen waar één van onze dochtermaatschappijen verantwoordelijk is voor de verkoop van onze producten, alleen garantie worden verleend door deze dochtermaatschappij. Een dergelijk garantie wordt alleen verstrekt, wanneer de dochtermaatschappij eigen garantievoorwaarden heeft gepubliceerd. In andere situaties wordt er geen garantie verleend.

Voor toestellen die in landen worden gekocht waar wij geen dochtermaatschappijen hebben die onze producten verkopen, verlenen wij geen garantie. Een eventueel door de importeur verzekerde garantie blijft onverminderd van kracht.

Milieu en recycling

- ▶ Gooi het toestel en de materialen na gebruik weg conform de nationale voorschriften.



- ▶ Wanneer op het toestel een doorgestreepte vuilcontainer is afgebeeld, brengt u het toestel voor hergebruik en recycling naar de gemeentelijke inzamelpunten of terugnamepunten in de handel.



Dit document bestaat uit recyclebaar papier.

- ▶ Gooi het document na de levenscyclus van het toestel overeenkomstig de nationale voorschriften weg.

ZVLÁŠTNÍ POKYNY

OBSLUHA

1. Obecné pokyny	88
1.1 Bezpečnostní pokyny	88
1.2 Jiné symboly použité v této dokumentaci	89
1.3 Upozornění na přístroji	89
1.4 Měrné jednotky	89
1.5 Obrázky	89
2. Zabezpečení	89
2.1 Správné používání	89
2.2 Všeobecné bezpečnostní pokyny	89
2.3 Kontrolní symbol	90
3. Popis přístroje	90
4. Obsluha	90
4.1 Ovládací jednotka	90
4.2 Ukládání tepla	91
4.3 Uvolňování tepla	92
5. Nastavení u integrovaného prostorového termostatu	92
5.1 Standardní zobrazení	92
5.2 Základní nabídka	93
5.3 Konfigurační nabídka	93
6. Nastavení u prostorového termostatu montovaného na stěnu	95
6.1 Standardní zobrazení	95
6.2 Základní nabídka	95
6.3 Konfigurační nabídka	95
7. Čištění, péče a údržba	95
7.1 Čištění sítka proti prachu	96
8. Odstranění problémů	96

INSTALACE

9. Zabezpečení	97
9.1 Všeobecné bezpečnostní pokyny	97
9.2 Předpisy, normy a ustanovení	97
10. Popis přístroje	97
10.1 Princip činnosti	97
10.2 Rozsah dodávky	98
10.3 Příslušenství	98
11. Příprava	98
11.1 Místo montáže	98
11.2 Minimální vzdálenosti	98
12. Montáž	98
12.1 Otevření přístroje	98
12.2 Nastavte regulaci nabíjení	99
12.3 Síťová přípojka / přívodní vedení	99
12.4 Připojení elektrického napětí	100
12.5 Instalace na podlahu	100
12.6 Varianty montáže SHS	101
12.7 Vložení akumulární vyzdívkou	101
12.8 Předání přístroje	102
12.9 Uzavření přístroje	102

13. Konfigurační nabídka	103
14. Uvedení do provozu	105
14.1 Kontrola před uvedením do provozu	105
14.2 První uvedení do provozu	105
15. Přestavba přístroje	105
16. Předání přístroje	105
17. Odstraňování poruch	106
17.1 Tabulka poruch	106
17.2 Symboly na typovém štítku	107
18. Čištění a údržba	107
19. Technické údaje	108
19.1 Rozměry a přípojky	108
19.2 Schéma elektrického zapojení	110
19.3 Snížení připojovaného příkonu při zvýšení jmenovité doby nabíjení	111
19.4 Snížení příkonu při zachování jmenovité doby nabíjení	111
19.5 Údaje ke spotřebě energie	112
19.6 Tabulka údajů	113

ZÁRUKA

ŽIVOTNÍ PROSTŘEDÍ A RECYKLACE

ZVLÁŠTNÍ POKYNY

- Tento návod k obsluze a instalaci pečlivě uschovejte, aby byl v případě potřeby k dispozici.
- Děti do 3 let udržujte v dostatečné vzdálenosti od přístroje, pokud není zajištěn stálý dohled.
- Děti ve věku 3 až 7 let smějí přístroj zapínat a vypínat, jsou-li pod dohledem nebo byly poučeny o bezpečném použití přístroje a pochopily z něho vyplývající rizika. Předpokladem k tomu je, aby montáž přístroje byla provedena podle popisu. Děti ve věku 3–7 let nesmějí přístroj nastavovat.
- Přístroj smí používat děti od 8 let a osoby se sníženými fyzickými, sensorickými nebo mentálními schopnostmi nebo s nedostatkem zkušeností a znalostí pouze pod dozorem nebo po poučení o bezpečném používání přístroje, a poté, co porozuměly nebezpečí, které z jeho používání plyne.
- Nenechávejte děti, aby si s přístrojem hrály. Čištění a uživatelskou údržbu nesmějí provádět děti bez dozoru.
- Části přístroje mohou být velmi horké a způsobit popáleniny. Jsou-li přítomny děti a osoby vyžadující ochranu, je nutná zvláštní opatrnost.
- Při prvním nabíjení se může tvořit zápach. Zajistěte dostatečné větrání prostoru.
- Dodržujte minimální vzdálenosti od přilehlých předmětů nebo jiných hořlavých materiálů (viz kapitola „Instalace/Minimální vzdálenosti“).
- Aby se zabránilo přehřátí přístroje, nezakrývejte jej.
- Nepokládejte na přístroj ani v jeho bezprostřední blízkosti žádné předměty. O přístroj neopírejte žádné předměty.
- Neinstalujte přístroj přímo pod zásuvku.
- Dodržujte hodnoty jmenovitého dohřívání v kapitole „Technické údaje/Tabulka údajů“.

- Instalujte přístroj tak, aby se osoba ve sprše nebo ve vaně nemohla dostat do kontaktu se spínači a regulátory.
- Přípojka k elektrické síti smí být provedena pouze jako pevná přípojka. Přístroj musí být možné odpojit od síťové přípojky na všech pólech na vzdálenost nejméně 3 mm.
- Upevněte přístroj způsobem popsaným v kapitole „Instalace / Montáž“.
- Instalaci, uvedení do provozu, údržbu a opravy přístroje smí provádět pouze kvalifikovaný odborník podle tohoto návodu.
- Poškozená tepelná izolace může způsobit přehřátí krytu. Pokud na dílech tepelné izolace zjistíte poškození nebo změny, pak tyto díly vyměňte.
- K zajištění stability přístroje přístroj instalujte pouze na rovné ploše. Vyhněte se nerovnoměrným plochám, které vznikají například u koberců nebo kachliček a které částečně zasahují pod přístroj.

OBSLUHA

1. Obecné pokyny

Kapitoly „Zvláštní pokyny“ a „Obsluha“ jsou určeny uživatelům přístroje a instalačním technikům.

Kapitola „Instalace“ je určena instalačním technikům.



Upozornění

Dříve, než zahájíte provoz, si pozorně přečtete tento návod a pečlivě jej uschovejte. Případně předejte návod dalšímu uživateli.

1.1 Bezpečnostní pokyny




1.1.1 Struktura bezpečnostních pokynů



UVOZUJÍCÍ SLOVO - Druh nebezpečí
Zde jsou uvedeny možné následky nedodržení bezpečnostních pokynů.

► Zde jsou uvedena opatření k odvrácení nebezpečí.

1.1.2 Symboly, druh nebezpečí

Symbol	Druh nebezpečí
	Úraz
	Úraz elektrickým proudem
	Popálení (popálení, opaření)

1.1.3 Uvozující slova

UVOZUJÍCÍ SLOVO	Význam
NEBEZPEČÍ	Pokyny, jejichž nedodržení má za následek vážné nebo smrtelné úrazy.
VÝSTRAHA	Pokyny, jejichž nedodržení může mít za následek vážné nebo smrtelné úrazy.
POZOR	Pokyny, jejichž nedodržení může mít za následek středně vážné nebo lehké úrazy.



1.2 Jiné symboly použité v této dokumentaci



Upozornění


Obecné pokyny jsou označeny symbolem zobrazeným vedle.

► Texty upozornění čtete pečlivě.

Symbol	Význam
	Věcné škody (poškození přístroje, následné škody, poškození životního prostředí)
	Likvidace přístroje

► Tento symbol vás vyzývá k určitému jednání. Potřebné úkony jsou popsány po jednotlivých krocích.

1.3 Upozornění na přístroji

Symbol	Význam
	Nezakrývejte přístroj

1.4 Měrné jednotky



Upozornění

Pokud není uvedeno jinak, jsou všechny rozměry uvedeny v milimetrech.

1.5 Obrázky

Obrázky v této dokumentaci jsou ilustrační a mohou se lišit od stávajícího typu přístroje.

2. Zabezpečení

2.1 Správné používání

Přístroj je určen k vytápění obytných místností.

Přístroj je určen k použití v domácnostech. Mohou jej tedy bezpečně obsluhovat neškolené osoby. Lze jej používat i mimo domácnosti, např. v drobném průmyslu, pokud je provozován stejným způsobem jako v domácnostech.

Jiné použití nebo použití nad rámec daného rozsahu je považováno za použití v rozporu s určením. K použití v souladu s určením patří také dodržování tohoto návodu a návodů k používanému příslušenství.

2.2 Všeobecné bezpečnostní pokyny

Dodržujte následující bezpečnostní pokyny a předpisy.

- Elektrickou instalaci a instalaci přístroje smí provést pouze autorizovaný servis nebo naši technici zákaznického servisu v souladu s tímto návodem.
- Instalační firma nese při instalaci a při prvním uvedení do provozu odpovědnost za dodržení platných předpisů.
- Používejte přístroj pouze v plně instalovaném stavu a se všemi bezpečnostními zařízeními.



VÝSTRAHA úraz

- Děti do 3 let udržujte v dostatečné vzdálenosti od přístroje, pokud není zajištěn stálý dohled.
- Děti ve věku 3 až 7 let smějí přístroj zapínat a vypínat, jsou-li pod dohledem nebo byly poučeny o bezpečném použití přístroje a pochopily z něho vyplývající rizika. Předpokladem k tomu je, aby montáž přístroje byla provedena podle popisu. Děti ve věku 3–7 let nesmějí přístroj nastavovat.
- Přístroj smí používat děti od 8 let a osoby se sníženými fyzickými, sensorickými nebo mentálními schopnostmi nebo s nedostatkem zkušeností a znalostí pouze pod dozorem nebo po poučení o bezpečném používání přístroje, a poté, co porozuměly nebezpečí, které z jeho používání plyne.
- Nenechávejte děti, aby si s přístrojem hrály. Čištění a uživatelskou údržbu nesmějí provádět děti bez dozoru.



VÝSTRAHA popálení

Nepoužívejte přístroj...

- pokud nejsou dosaženy minimální vzdálenosti od ploch přilehlých předmětů nebo jiných hořlavých materiálů.
- Nebezpečí požáru nebo exploze v místnostech s chemikáliemi, prachem, plyny nebo výpary. Před zahájením provozu prostor dostatečně odvětrejte.
- v bezprostřední blízkosti potrubí nebo nádob, které obsahují nebo rozvádějí hořlavé nebo výbušné látky.
- pokud se v místě instalace provádějí práce, jako například pokládka, broušení, nátěry.
- pokud je některá část přístroje poškozena nebo pokud je přístroj vadný.



VÝSTRAHA popálení

- Na přístroj ani do jeho bezprostřední blízkosti nepokládejte žádné hořlavé, vznětlivé nebo tepelně izolační materiály nebo předměty. O přístroj neopírejte žádné předměty. To může způsobit akumulaci tepla, vedoucí k nadměrné teplotě povrchu tělesa přístroje a předmětů.
- Dbejte na to, aby nebyl blokován vstup a výstup vzduchu.
- Mezi přístroj a stěnu nezasouvejte žádné předměty.



POZOR, nebezpečí popálení

Povrchy tělesa přístroje a unikající vzduch mohou být během provozu velmi horké (nad 80 °C) a způsobit popáleniny. Jsou-li přítomny děti a osoby vyžadující ochranu, je nutná zvláštní opatrnost.



VÝSTRAHA – přehřátí

Aby se zabránilo přehřátí přístroje, nezakrývejte jej.

2.3 Kontrolní symbol

Viz typový štítek na přístroji. Typový štítek je umístěn na levé postranní stěně přístroje.

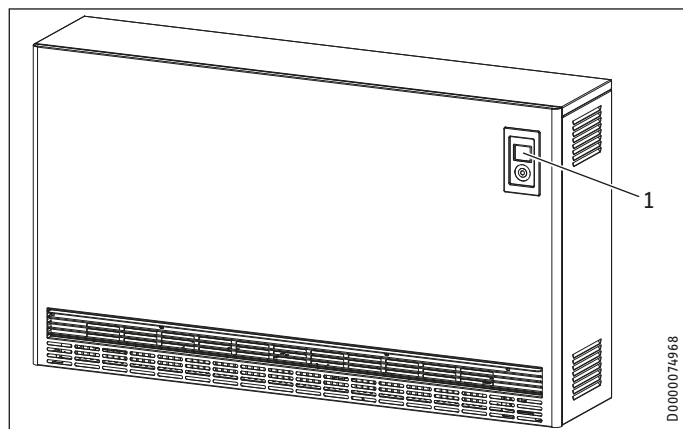
3. Popis přístroje

Tento přístroj zajišťuje ukládání elektricky vyrobeného tepla. Teplo je vyráběno z elektrické energie během doby s nízkým tarifem.

Doba s nízkým tarifem se liší podle jednotlivých výrobců elektrické energie. Doba s nízkým tarifem připadá převážně na noční hodiny.

Uložené teplo se uvolňuje do prostoru podle požadované prostorové teploty jako teplý vzduch pomocí ventilátoru a z malé části přes povrch přístroje.

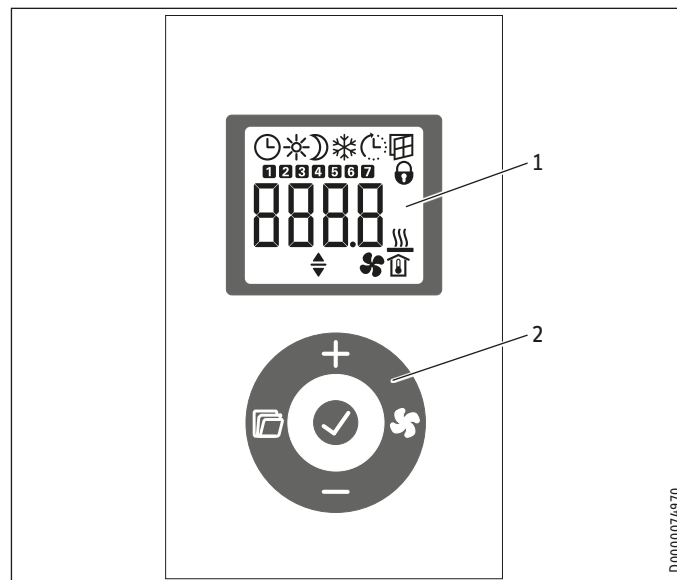
4. Obsluha



1 Ovládací jednotka

4.1 Ovládací jednotka

Ovládání probíhá pomocí ovládací jednotky, která se nachází nahoře vpravo na čelní straně přístroje.



1 Ukazatel
2 Ovládací panel

4.1.1 Ovládací panel

Tlačítko	Název	Popis
	Tlačítko „Ventilátor“	Zapnutí a vypnutí spuštění ventilátoru
	Tlačítko „OK“	Výběr; Potvrzení nastavení
	tlačítko „Nabídka“	Vyvolání a opuštění nabídky
	Tlačítko „+“	Vyvolání položek nabídky; Změna nastavení
	Tlačítko „-“	Vyvolání položek nabídky; Změna nastavení

4.1.2 Ukazatel












Pokud v průběhu 30 sekund neproběhne žádná akce obsluhy, podsvícení displeje se vypne. Stisknutím libovolného tlačítka podsvícení displeje opět zapnete.

Symbyly



Upozornění

Pokud je odběr tepla (vybíjení) řízen prostorovým termostatem namontovaným na stěně, nebudou zobrazeny všechny symboly.

Symbol	Popis
	Zobrazení času: Zobrazení aktuálního času nebo naprogramovaného času zahájení Provoz časovače: Přístroj topí podle aktivovaného časového programu.
	Komfortní režim: Přístroj udržuje nastavenou komfortní teplotu. Standardní hodnota: 21,0 °C. Toto nastavení použijte pro komfortní teploty místnosti v přítomnosti osob.
	Útlumový režim: Přístroj udržuje nastavenou útlumovou teplotu. Standardní hodnota: 18,0 °C. Toto nastavení použijte např. v noci nebo v nepřítomnosti po dobu několika hodin.
	Adaptivní start: V provozu časovače jsou spínací časy topného zařízení přizpůsobeny tak, aby nastavená požadovaná teplota místnosti byla již dosažena k naprogramovanému času zahájení. Předpoklad: Funkce „Adaptivní start“ je zapnutá (viz kapitola „Nastavení při integrovaném prostorovém termostatu / Základní nabídka“).
	Zjištění otevřeného okna: Aby se zamezilo zbytečné spotřebě energie při větrání, přístroj automaticky sníží při otevřeném okně nastavenou požadovanou teplotu v místnosti na 7,0 °C na dobu jedné hodiny. Bliká symbol „Zjištění otevřeného okna“. Detekci otevřeného okna lze ručně ukončit po větrání stisknutím tlačítka „+“ nebo „OK“. Přístroj se znovu zahřeje místnost na nastavenou požadovanou teplotu. Předpoklad: Zjištění otevřeného okna je zapnuté (viz kapitola „Nastavení při integrovaném prostorovém termostatu / Základní nabídka“).
	Zámek ovládání: Chcete-li ovládací panel zamknout nebo odemknout, stiskněte současně tlačítka „+“ a „-“ na 5 sekund.
	Spuštění přídavného topení (příslušenství): Pokud akumulované množství tepla k vytápění místnosti již není dostatečné, topí dodatečně přídavné topení.
	Zobrazení teploty místnosti
	Aktivní spuštění ventilátoru: Když teplota místnosti klesne pod nastavenou požadovanou teplotu v místnosti, zapne se ventilátor a uvolní ohřátý vzduch do místnosti, dokud se nedosáhne nastavené teploty.
	Parametry lze editovat: Zobrazený parametr lze změnit pomocí tlačítek „+“ a „-“.
	Dny v týdnu: 1 = Pondělí, 2 = Úterý ... 7 = Neděle

4.2 Ukládání tepla

Regulací nabíjení se určuje stupeň ukládání tepla (nabíjení).

Nastavení, které musíte na regulaci ohřevu provést, závisí na tom, zda přístroj používáte s centrální regulací nabíjení podle počasí nebo bez ní.

Řídicí systém nabíjení podle počasí se nachází v rozvaděči.

4.2.1 Přístroje s řídicím systémem nabíjení podle počasí

- Vyvolejte tlačítkem „Nabídka“ zeslabovač stupně nabití v základní nabídce (viz kapitola „Nastavení při integrovaném prostorovém termostatu / Základní nabídka“).
- Stiskněte tlačítko „OK“. Jakmile se zobrazí symbol „Parametr lze editovat“, nastavte pomocí tlačítek „+“ a „-“ zeslabovač stupně nabití na 100 %.



Upozornění

Pokud je odběr tepla (vybíjení) řízen prostorovým termostatem namontovaným na stěně, nastavte na standardním displeji zeslabovač stupně nabití pomocí tlačítek „+“ a „-“.

Řídicí systém nabíjení podle počasí zajišťuje správné nabití.



Upozornění

Dbejte přitom návodu k řídicímu systému nabíjení nebo skupinové řídicí jednotce.

Chcete-li použít odlišnou regulaci jednotlivých přístrojů, můžete omezovačem stupně nabití provést dodatečnou ruční úpravu množství nabití.

Pokud nastavíte omezovač stupně nabití na 0 %, nebude se nabíjet.

4.2.2 Přístroje bez řídicího systému nabíjení podle počasí

Máte následující dvě možnosti nabíjení bez počasím regulovaného řízení nabíjení:

Regulace nabíjení pomocí zeslabovače stupně nabití

Množství nabíjení se nastavuje pomocí omezovače stupně nabití.

- Vyvolejte tlačítkem „Nabídka“ zeslabovač stupně nabití v základní nabídce (viz kapitola „Nastavení při integrovaném prostorovém termostatu / Základní nabídka“).
- Stiskněte tlačítko „OK“. Jakmile se zobrazí symbol „Parametr lze editovat“, nastavte pomocí tlačítek „+“ a „-“ omezovač stupně nabití.



Upozornění

Pokud je odběr tepla (vybíjení) řízen prostorovým termostatem namontovaným na stěně, nastavte na standardním displeji zeslabovač stupně nabití pomocí tlačítek „+“ a „-“.

Přitom platí následující orientační hodnoty:

Hodnota	Množství nabití
0 %	bez nabití (v létě)
30 %	cca 1/3 plného nabití pro přechodná období, jako je jaro nebo podzim
70 %	cca 2/3 plného nabití pro mírné zimní dny
100 %	Plné nabití pro chladné zimní dny

Po nezbytné krátké zkušenosti poznáte, jak najít vždy to správné nastavení.

Nastavení u integrovaného prostorového termostatu

Regulace nabíjení podle teploty v místnosti (C-PLUS TECHNOLOGY)

Regulace nabíjení podle teploty v místnosti automaticky přizpůsobuje velikost nabití podle spotřeby tepla v místnosti. Potřebná velikost nabití se stanovuje v závislosti na teplotě v místnosti, běhu ventilátoru a zbytkovém nabití přístroje. Cílem je, aby na konci dne bylo množství tepla ještě dostatečné k udržování nastavené teploty v místnosti.

Upozornění

- Příklad musí být stále pod napětím.
- Uvolnění nabíjení může proběhnout přes signál EVU LF (signál LF musí být připojen) nebo interní hodiny, lze vybrat prostřednictvím parametru P15 v konfigurační nabídce.
- Je nezbytně nutné, aby bylo vždy zapnuté uvolnění ventilátoru.
- Při prvním uvádění do provozu a přerušení napětí na nejméně 8 hodin se dosáhne nabití 60 %.
- Regulace nabíjení podle teploty v místnosti je závislá na poměrech v místnosti. Sluneční záření a nepříznivé počasí mohou mít vliv na velikost nabití.
- Zjištění optimálně přizpůsobené velikosti nabití může trvat několik dní.
- Pokud byl přístroj delší dobu v útlumovém režimu (např. při nepřítomnosti), musí se aktivovat komfortní režim s předstihem 1-2 dnů.
- Pokud je výdej tepla (vybíjení) řízen prostorovým termostatem namontovaným na stěně, může to mít negativní vliv na komfort. Přístroji chybí informace o teplotě v místnosti. Doporučujeme používat integrovaný prostorový termostat.

Jestliže je v místnosti večer stále příliš teplo, můžete pomocí zeslabovače stupně nabití snížit úroveň energie v přístroji.

Upozornění

U regulace nabíjení podle teploty v místnosti se značně liší funkce zeslabovače stupně nabití od funkce uvedené v kapitole „Ukládání tepla / Regulace nabíjení pomocí zeslabovače stupně nabití“. I při nastavení 0 % může probíhat nabíjení.

- ▶ Vyvolejte tlačítkem „Nabídka“ zeslabovač stupně nabití v základní nabídce (viz kapitola „Nastavení při integrovaném prostorovém termostatu / Základní nabídka“).
- ▶ Stiskněte tlačítko „OK“. Jakmile se zobrazí symbol „Parametr lze editovat“, nastavte pomocí tlačítek „+“ a „-“ zeslabovač stupně nabití.

Když místnost nepotřebuje již žádnou topnou energii, postupně se velikost nabití snižuje až na nulu. Příklad se začne opět nabíjet, až když je topná energie v místnosti opět zapotřebí.

4.3 Uvolňování tepla

Uvolnění tepla (vybíjení) je řízeno pomocí prostorového termostatu integrovaného v přístroji nebo 2bodového prostorového termostatu namontovaného na stěně (viz kapitola „Příslušenství“).

Prostorový termostat řídí uvolňování tepla automaticky pomocí ventilátoru tak, aby se udržovala nastavená požadovaná teplota v místnosti. Aby ventilátor mohl běžet, musí být zapnuto spuštění ventilátoru.

Upozornění

Po dobu několika dnů nepřítomnosti v topné sezoně je vhodné nastavit redukovanou teplotu místnosti např. 10 °C. Tímto nastavením se vyhnete silnému prochlazení prostoru (ochrana před mrazem).

4.3.1 Zapnutí a vypnutí spuštění ventilátoru

- ▶ K zapnutí a vypnutí spuštění ventilátoru stiskněte tlačítko „Ventilátor“. Při zapnutém spuštění ventilátoru se na displeji zobrazí „Symbol ventilátoru“.

Upozornění

U regulace nabíjení podle teploty v místnosti musí být stále zapnuté uvolnění ventilátoru.

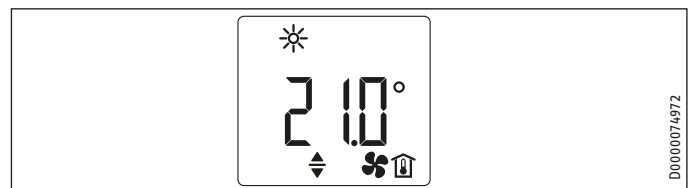
5. Nastavení u integrovaného prostorového termostatu

Všechna nastavení zůstávají při přerušení napětí zachována. Příklad má rezervu chodu, která zajišťuje, aby den v týdnu a čas zůstaly zachovány několik hodin.

Upozornění

Při přerušení napětí delším než 8 hodin jste po přerušení napětí vyzváni k nastavení dne v týdnu a času. Na displeji bliká „- -: -“. Při aktivovaném zámku ovládání podržte k odemknutí ovládacího panelu stisknutá současně tlačítka „+“ a „-“ po dobu 5 sekund.

5.1 Standardní zobrazení



Standardní zobrazení je ukázáno trvale. Pokud se nacházíte v nabídce a neprovedete po dobu delší než 30 sekund žádnou akci obsluhy, přístroj se automaticky přepne na standardní zobrazení.







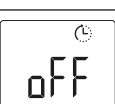

Ve standardním zobrazení vidíte aktuální požadovanou teplotu místnosti a symbol „Parametry lze editovat“. Pomocí tlačítek „+“ a „-“ lze požadovanou teplotu místnosti změnit.

Pokud požadovaná teplota místnosti odpovídá jedné z nastavených hodnot pro komfortní nebo útlumovou teplotu, v liště nabídky se zobrazí symbol příslušného provozního režimu (komfortní režim, útlumový režim).

Požadovanou teplotu místnosti je také možné změnit ručně v provozu časovače. Změněná požadovaná teplota místnosti zůstane zachována až do příštího naprogramovaného okamžiku sepnutí.

5.2 Základní nabídka

Abyste se dostali do základní nabídky, musíte krátce stisknout tlačítko „Nabídka“. Nyní máte přístup k následujícím položkám nabídky:

Ukazatel	Popis
	Nastavení omezovače stupně nabití Pro dny, kdy je spotřeba tepla nižší, můžete provést ruční úpravu množství nabití v krocích po 10 %.
	Nastavení dne v týdnu a času Dny v týdnu: 1 = pondělí až 7 = neděle
	Nastavení komfortní teploty Komfortní teplota musí být nastavena o nejméně 0,5 °C vyšší než útlumová teplota.
	Nastavení útlumové teploty Útlumová teplota musí být nastavena o nejméně 0,5 °C nižší než komfortní teplota.
	Zapnutí a vypnutí funkce „Zjištění otevřeného okna“
	Výběr nebo deaktivace (off) časového programu (Pro1, Pro2, Pro3)
	Zapnutí a vypnutí funkce „Adaptivní start“
	Zapnutí a vypnutí přídatného topení (příslušenství) Zobrazení jen při instalovaném a aktivovaném přídatném topení.

Chcete-li změnit nastavení položky nabídky, vyvolejte příslušnou položku nabídky tlačítkem „+“ a „-“. Stiskněte tlačítko „OK“.

Jakmile se zobrazí symbol „Parametry lze editovat“, můžete nastavení položky nabídky změnit pomocí tlačítek „+“ a „-“. K uložení nastavení stiskněte tlačítko „OK“.

K opuštění základní nabídky stiskněte tlačítko „Nabídka“. Zobrazí se standardní zobrazení.

5.3 Konfigurační nabídka

Ukazatel	Popis
I1-I2	Skutečné hodnoty
Pro1-Pro3	Časové programy
P1-P5	Parametry
CodE	Přístup pro autorizovaný servis

V konfigurační nabídce můžete vyvolat skutečné hodnoty, naprogramovat časové programy pro provoz časovače a nastavit parametry.

Chcete-li vstoupit do konfigurační nabídky, podržte stisknuté tlačítko „Nabídka“. Po cca 3 sekundách se zobrazí skutečná hodnota I1.

Tlačítka „+“ a „-“ lze přepínat mezi jednotlivými skutečnými hodnotami, časovými programy a parametry.

K opuštění konfigurační nabídky stiskněte tlačítko „Nabídka“. Zobrazí se standardní zobrazení.

5.3.1 Skutečné hodnoty

Můžete vyvolat následující skutečné hodnoty:

Ukazatel	Popis	Jednotka
I1	Skutečná hodnota teploty místnosti	[°C] [°F]
I2	Relativní doba ohřevu (Počítadlo lze resetovat pomocí parametru P5.)	[h]



Upozornění

Počítadlo relativní doby ohřevu (I2) počítá dobu nabíjení v celých provozních hodinách. Pokud byl přístroj nabíjen celou hodinu, dokonce i v intervalech, počítadlo se zvýší.

5.3.2 Časové programy

K dispozici jsou tři časové programy pro používání přístroje v provozu časovače. Časové programy Pro1 a Pro2 jsou přednastaveny sériově. Časový program Pro3 lze nastavit podle vašich individuálních požadavků.

Ukazatel	Popis
Pro1	Časový program „denně“ - opakování: Pondělí až neděle
Pro2	Časový program „v pracovních dnech“ - opakování: Pondělí až pátek
Pro3	Časový program „uživatelsky definovaný“ - až 14 volně konfigurovatelných komfortních fází



Upozornění

Chcete-li použít provoz časovače, musíte v základní nabídce vybrat požadovaný časový program (viz kapitola „Nastavení při integrovaném prostorovém termostatu / Základní nabídka“).



Upozornění

Při nastavování časových programů zkontrolujte, zda je správně nastaven den v týdnu a čas.



Upozornění

Pro všechny časové programy (Pro1, Pro2, Pro3) platí: Pokud je čas ukončení po 23:59 hod., automaticky se nastaví na další den v týdnu. Komfortní fáze je udržována přes půlnoc a končí následující den v týdnu k nastavenému času ukončení.

Časové programy Pro1 a Pro2

Pomocí časových programů Pro1 a Pro2 lze nastavit čas zahájení a ukončení komfortního režimu. Během tohoto období přístroj topí na nastavenou komfortní teplotu. Mimo tuto pevně stanovenou dobu pracuje přístroj v útlumovém režimu. Výsledkem je fáze komfortu a poklesu, které se opakují denně (Pro1) nebo každý pracovní den (Pro2).

Od výrobce jsou tyto fáze konfigurovány takto:

- 08:00 – 22:00 hod.: Komfortní režim
- 22:00 – 8:00 hod.: Režim spouštění



Upozornění

Když je aktivován časový program Pro2, přístroj pracuje o víkendů výhradně v útlumovém režimu.

Chcete-li upravit časové programy Pro1 a Pro2 podle svých potřeb, postupujte následovně:

- ▶ Stisknutím tlačítek „+“ a „-“ vyvolejte v konfigurační nabídce požadovaný časový program.
- ▶ Stiskněte tlačítko „OK“.
Zobrazí se čas zahájení komfortního režimu.
- ▶ Nastavte požadovaný čas zahájení pomocí tlačítek „+“ a „-“.
- ▶ Stiskněte tlačítko „OK“.
Zobrazí se čas ukončení komfortního režimu.
- ▶ Nastavte požadovaný čas ukončení pomocí tlačítek „+“ a „-“.
- ▶ K uložení stiskněte tlačítko „OK“.

Časový program Pro3

Pomocí časového programu Pro3 můžete definovat až 14 samostatných komfortních fází, které se opakují jednou týdně.

Chcete-li nakonfigurovat komfortní fázi v časovém programu Pro3, postupujte následovně:

- ▶ Stisknutím tlačítek „+“ a „-“ vyvolejte v konfigurační nabídce časový program Pro3.
- ▶ Stiskněte tlačítko „OK“.
Displej zobrazuje „3---“.
- ▶ Stiskněte tlačítko „OK“.
Zobrazí se den v týdnu nebo skupina dnů v týdnu.
- ▶ Nastavte požadovaný den v týdnu nebo požadovanou skupinu dnů v týdnu pomocí tlačítek „+“ a „-“.
- ▶ Stiskněte tlačítko „OK“.
Zobrazí se čas zahájení komfortního režimu.
- ▶ Nastavte požadovaný čas zahájení pomocí tlačítek „+“ a „-“.
- ▶ Stiskněte tlačítko „OK“.
Zobrazí se čas ukončení komfortního režimu.
- ▶ Nastavte požadovaný čas ukončení pomocí tlačítek „+“ a „-“.
- ▶ Stiskněte tlačítko „OK“.
Komfortní fáze „3-01“ je nakonfigurována.
- ▶ Chcete-li konfigurovat další komfortní fázi, zvolte v časovém programu Pro3 pomocí tlačítek „+“ a „-“ zobrazení „3---“.
Postupujte podle popisu výše.



Upozornění

K vynulování nastavených komfortních fází aktivujte parametr P4.

- ▶ Dbejte na to, že aktivací parametru P4 se resetují všechny časové programy (Pro1, Pro2, Pro3) do stavu při dodání.

5.3.3 Parametry

Můžete vyvolat následující parametry:

Ukazatel	Popis	Možnosti
P1	Ofset teploty místnosti	±3 °C ±5 °F
P2	Časový formát	12 h 24 h
P3	Jednotka ukazatele teploty	°C °F
P4	Reset časových programů (provoz časovače).	on off
P5	Reset relativní doby ohřevu	on off

Chcete-li změnit hodnotu parametru, vyvolejte příslušný parametr tlačítky „+“ a „-“. Stiskněte tlačítko „OK“.

Jakmile se zobrazí symbol „Parametry lze editovat“, můžete hodnotu parametru změnit pomocí tlačítek „+“ a „-“. K uložení nastavené hodnoty stiskněte tlačítko „OK“.

P1: Ofset teploty místnosti

Nerovnoměrné rozložení teploty v místnosti může vést k rozdílu mezi zobrazenou skutečnou teplotou I1 a vámi naměřenou teplotou místnosti. Chcete-li rozdíl vyrovnat, můžete nastavit ofset teploty místnosti ± 3 °C pomocí parametru P1.

Příklad: Přístroj zobrazuje I1 = 21,0 °C. Vámi naměřená teplota místnosti je 20,0 °C. Rozdíl je 1,0 °C.

- ▶ Chcete-li rozdíl vyrovnat, nastavte ofset P1 = -1,0.

P2: Časový formát

Pomocí parametru P2 lze určit, zda se čas zobrazí ve 12hodinovém nebo 24hodinovém formátu.

P3: Jednotka ukazatele teploty

Pomocí parametru P3 lze určit, zda se teplota místnosti zobrazí ve stupních Celsia [°C] nebo stupních Fahrenheita [°F].

P4: Reset časových programů

Aktivací parametru P4 resetujete všechny časové programy na stav při dodání.

P5: Reset relativní doby ohřevu

Aktivováním parametru P5 resetujete počítadlo relativní doby ohřevu (I2).

5.3.4 Přístup pro autorizovaný servis

Ukazatel	Popis
CodE	Přístup pro autorizovaný servis



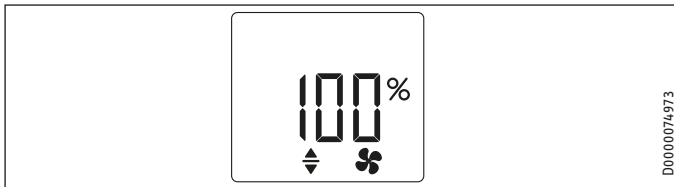
Upozornění
Některé položky menu jsou chráněné kódem a může je číst a nastavovat jen autorizovaný servisní personál.

6. Nastavení u prostorového termostatu montovaného na stěnu



Upozornění
Pokud je odběr tepla (vybíjení) řízen prostorovým termostatem namontovaným na stěně, máte v přístroji k dispozici jen velmi omezené možnosti nastavení.

6.1 Standardní zobrazení



Standardní zobrazení je ukázáno trvale. Pokud se nacházíte v nabídce a neprovedete po dobu delší než 30 sekund žádnou akci obsluhy, přístroj se automaticky přepne na standardní zobrazení.

Ve standardním zobrazení vidíte aktuální nastavení omezovače stupně nabití a symbol „Parametry lze editovat“. Pomocí tlačítek „+“ a „-“ lze pro dny, kdy je spotřeba tepla nižší, provést ruční úpravu množství nabití v krocích po 10 %.

6.2 Základní nabídka



Upozornění
Základní nabídku je možné vyvolat pouze v případě, že je přístroj vybaven přídatným topením (příslušenství).

Abyste se dostali do základní nabídky, musíte krátce stisknout tlačítko „Nabídka“.

Ukazatel	Popis
	Zapnutí a vypnutí přídatného topení (příslušenství) Dokonce i s prostorovým termostatem montovaným na stěnu a se spínačem přídatného topení je nutné v základní nabídce zapnout přídatné topení.

Chcete-li změnit nastavení bodu nabídky, stiskněte tlačítko „OK“.

Jakmile se zobrazí symbol „Parametry lze editovat“, můžete nastavení položky nabídky změnit pomocí tlačítek „+“ a „-“. K uložení nastavení stiskněte tlačítko „OK“.

K opuštění základní nabídky stiskněte tlačítko „Nabídka“. Zobrazí se standardní zobrazení.

6.3 Konfigurační nabídka

Ukazatel	Popis
I2	Skutečná hodnota
P5	Parametry
CodE	Přístup pro autorizovaný servis

Chcete-li vstoupit do konfigurační nabídky, podržte stisknuté tlačítko „Nabídka“. Po cca 3 sekundách se zobrazí skutečná hodnota I2.

Pomocí tlačítek „+“ a „-“ lze přepínat mezi skutečnou hodnotou a parametrem.

K opuštění konfigurační nabídky stiskněte tlačítko „Nabídka“. Zobrazí se standardní zobrazení.

6.3.1 Skutečná hodnota

Ukazatel	Popis	Jednotka
I2	Relativní doba ohřevu (Počítadlo lze resetovat pomocí parametru P5.)	[h]



Upozornění
Počítadlo relativní doby ohřevu (I2) počítá dobu nabíjení v celých provozních hodinách. Pokud byl přístroj nabíjen celou hodinu, dokonce i v intervalech, počítadlo se zvýší.

6.3.2 Parametry

Ukazatel	Popis	Možnosti
P5	Reset relativní doby ohřevu Aktivováním parametru resetujete počítadlo relativní doby ohřevu (I2).	on off

Pokud chcete změnit nastavení parametru, stiskněte tlačítko „OK“.

Jakmile se zobrazí symbol „Parametry lze editovat“, můžete nastavení parametru změnit pomocí tlačítek „+“ a „-“. K uložení nastavení stiskněte tlačítko „OK“.

6.3.3 Přístup pro autorizovaný servis

Ukazatel	Popis
CodE	Přístup pro autorizovaný servis



Upozornění
Některé položky menu jsou chráněné kódem a může je číst a nastavovat jen autorizovaný servisní personál.

7. Čištění, péče a údržba



Věcné škody

- Nestříkejte do větracích otvorů čisticí spreje.
- Pamatujte, že do přístroje nesmí vniknout žádná vlhkost.

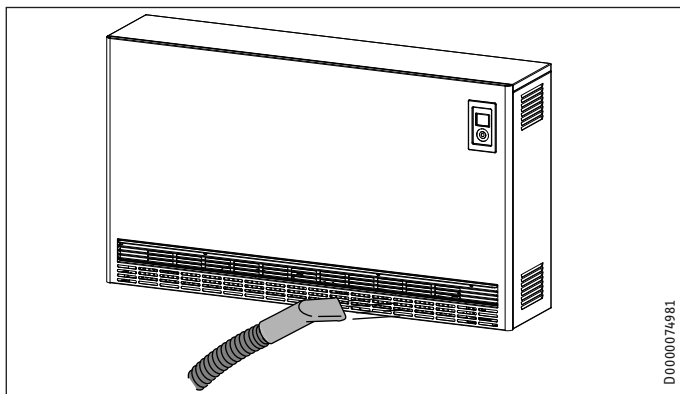
- Pokud se na přístroji objeví mírně zahnědlé zbarvení, setřete je vlhkou utěrkou.
- Přístroj čistěte v ochlazeném stavu běžnými čisticími prostředky. Nepoužívejte čisticí písků a leptavé prostředky.

7.1 Čištění sítka proti prachu



Upozornění

Pravidelně čistěte vláknové sítko usazené pod vstupem vzduchu. Tím zajistíte bezvadné vybíjení přístroje. V případě zanesení sítka vypněte ventilátor.



▶ Vláknové sítka usazené pod vstupem vzduchu čistěte vysavačem.

8. Odstranění problémů

Problém	Příčina	Odstranění
Přístroj se neohřívá.	Nabití nebylo nastaveno nebo bylo nastaveno příliš nízké nabití. Chybí napájení.	Nastavte vyšší nabití. Zkontrolujte pojistky a ochranný spínač domovní instalace.
Přístroj se při regulaci nabití podle teploty v místnosti neohřívá.	Je nastavena příliš nízká teplota na přístroji. Uvolnění ventilátoru je vypnuté.	Zkontrolujte nastavenou teplotu místnosti. Případně doladte. Zapněte uvolnění ventilátoru.
Místnost není dostatečně teplá, přestože přístroj je horký.	Přehřátí. Bezpečnostní omezovač teploty omezuje topný výkon. Je nastavena příliš nízká teplota na přístroji. Uvolnění ventilátoru je vypnuté. Potřeba tepla v místnosti je vyšší než výkon přístroje.	Odstraňte příčinu (nečistoty nebo překážky na vstupu nebo výstupu vzduchu). Dodržte minimální vzdálenosti! Zkontrolujte nastavenou teplotu místnosti. Případně doladte. Zapněte uvolnění ventilátoru.
Přístroj vyrábí i při mírných klimatických podmínkách velké množství tepla.	Nastavení na řídicím systému nabití a/nebo regulaci nabití není správné.	Upravte nastavení.
Místnost je příliš teplá.	Je nastavena příliš vysoká teplota na přístroji.	Zkontrolujte nastavenou teplotu místnosti. Případně doladte.
V místnosti je při regulaci nabití podle teploty v místnosti večer příliš teplo.	Hladina energie v přístroji je příliš vysoká.	Snižte hladinu energie v přístroji pomocí zeslabovače stupně nabití.
Přístroj se nevybíjí.	Sítka je ucpané.	Viz kapitola „Čištění, péče a údržba“.

Problém	Příčina	Odstranění
Zjištění otevřeného okna nereaguje.	Přístroj nezjistí žádný významný pokles teploty v důsledku větrání. (Zjištění otevřeného okna vyžaduje dříve stabilní teplotu místnosti.)	Po nastavení na přístroji vyčkejte, dokud se teplota místnosti zcela nestabilizuje. Vyhněte se překážkám pro výměnu vzduchu mezi přístrojem a vzduchem v místnosti. Uzamkněte ventilátor na dobu větrání.
Funkce „Adaptivní start“ nefunguje podle potřeby.	Funkce má vliv pouze na provoz časovače. Teplota místnosti se silně mění nebo proces učení přístroje není dokončen. Funkce „Adaptivní start“ není aktivována.	V základní nabídce zapněte zjištění otevřeného okna. Provoz časovače použijte pro optimální komfort topení. Počkejte několik dní, než se chování stabilizuje. Zapněte v základní nabídce funkci „Adaptivní start“.
Zobrazení ukazuje „E1“, „E2“ nebo „E3“.	Byla zjištěna vnitřní chyba.	Informujte autorizovaný servis.



Upozornění

Změny nebo opravy řídicího systému nabití se projeví teprve po opětovném nabití.

Pokud nedokážete příčinu odstranit, kontaktujte specializovaného odborníka. K získání lepší a rychlejší pomoci sdělte číslo z typového štítku (000000-0000-000000).

INSTALACE

9. Zabezpečení

Instalaci, uvedení do provozu, údržbu a opravy přístroje smí provádět pouze odborník.



VÝSTRAHA elektrický proud
Bezpečnostní nálepka „Achtung - Fernsteuerung! [Pozor - dálkové ovládání!]“ na plechovém úhelníku síťové přípojovací svorky musí být přelepena přiloženou bezpečnostní nálepkou v příslušném místním jazyce.

9.1 Všeobecné bezpečnostní pokyny

Řádnou funkci a spolehlivý provoz lze zaručit pouze v případě použití původního příslušenství a originálních náhradních dílů určených pro tento přístroj.

9.2 Předpisy, normy a ustanovení



VÝSTRAHA elektrický proud
Veškerá elektrická zapojení a instalace provádějte podle předpisů.



VÝSTRAHA elektrický proud
Přípojka k elektrické síti smí být provedena pouze jako pevná přípojka.
Přístroj musí být možné odpojit od síťové přípojky na všech pólech na vzdálenost nejméně 3 mm.



Věcné škody
Dodržujte údaje uvedené na typovém štítku. Uvedené napětí se musí shodovat se síťovým napětím.
Provozní prostředky přizpůsobte jmenovitému příkonu přístrojů.



Věcné škody
Upevněte přístroj na stěnu nebo podlahu tak, aby byla zaručena jeho stabilita.



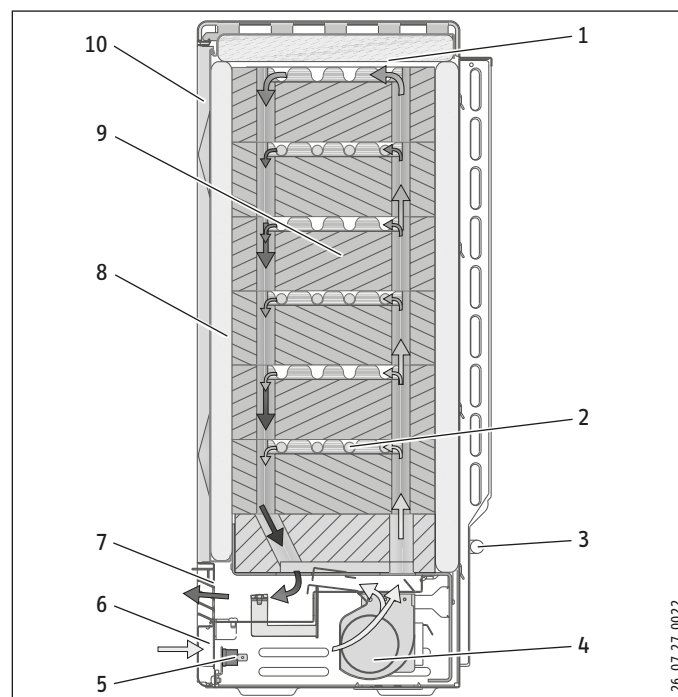
Věcné škody

- Neinstalujte přístroj přímo pod zásuvku.
- Pamatujte, že se přívodní kabel nesmí dotýkat žádných částí přístroje.



Upozornění
Dodržujte všechny národní a místní předpisy a ustanovení.

10. Popis přístroje



- 1 Krycí plech
- 2 Topná tělesa
- 3 Snímač teploty v místnosti
- 4 Ventilátor (M1)
- 5 Ochranný regulátor teploty (N5)
- 6 Vstup vzduchu
- 7 Výstup vzduchu
- 8 Izolace
- 9 Akumulační cihly
- 10 Přední stěna a vnitřní přední stěna

10.1 Princip činnosti

Akumulační vyzdívka se nahřívá prostřednictvím topných těles uložených mezi řadami cihel vyzdívky. Regulátorem nabíjení se nastavuje nabíjení. Začátek a trvání doby nabíjení určuje příslušné elektrorozvodné závody.

Přehřátí přístroje brání dva vestavěné ochranné regulátory teploty a bezpečnostní omezovač teploty. Zatímco ochranný regulátor teploty se sám opět zapne, bezpečnostní omezovač teploty se musí po odstranění příčiny závady znovu zapnout stisknutím knoflíku umístěného uprostřed omezovače.

Uložené teplo se uvolňuje pomocí ventilátoru, částečně i přes povrch přístroje. Přitom ventilátor nasává vzduch z místnosti přes otvor vstupního vzduchu a fouká jej přes vzduchové kanály akumulací vyzdívky, kde se ohřívá.

Před výstupem přes mřížku pro výstup vzduchu se takto vyrobený horký vzduch smíchá pomocí dvou směšovací klapky s chladnějším venkovním vzduchem, aby vystupující vzduch nepřekročil maximální přípustnou teplotu. Poloha směšovací klapky a tím směšovací poměr vzduchu se reguluje pomocí bimetalického regulátoru.

10.2 Rozsah dodávky

Spolu s přístrojem je dodáváno:

- Akumulační cihly
- 2 nástěnné držáky jen u SHS

10.3 Příslušenství

- 2bodový prostorový termostat (regulace vybíjení)
- Přídavné topení
- Konstrukční sada DC Control Input (řídící signál DC)
- Konstrukční sada jednofázové přípojky
- Dvouokruhová konstrukční sada ZK*
- Konzoly Vario
- Opěrná konzola*

* jen pro SHS

11. Příprava



Upozornění

Na svorkách L a N svorkovnice X2 musí být přítomno trvalé napětí.



Upozornění

Je-li přístroj připojen k automatickému řídicímu systému dobíjení, musí být nastaveno řízení nabíjení pro elektronický regulátor nabíjení bez korekce napětí.

11.1 Místo montáže



VÝSTRAHA popálení

- Zajistěte, aby stěna, na kterou se přístroj instaluje, odolávala teplotám alespoň 85 °C a podlaha alespoň 80 °C.
- Dodržujte minimální vzdálenosti od sousedních povrchů.



Upozornění

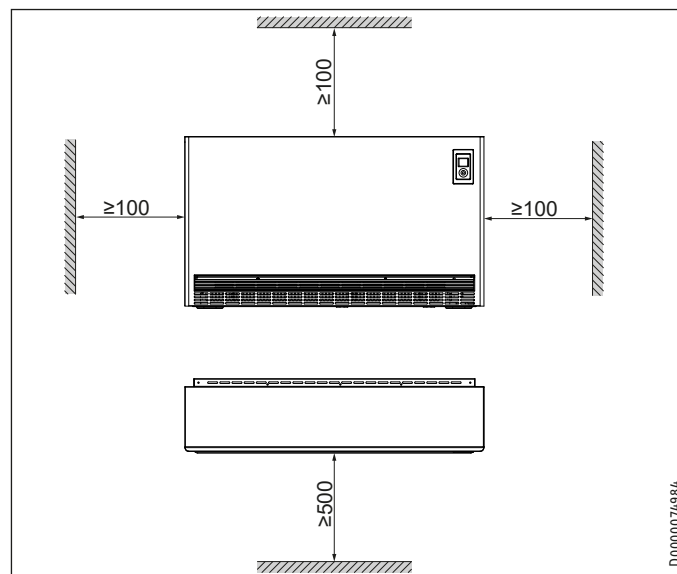
Pokud se přístroj instaluje v místnostech, ve kterých hrozí výskyt spalin, oleje nebo výparů nebo ve kterých probíhá práce s rozpouštědly a chemikáliemi, může následkem provozu vzniknout na přístroji dlouhodobé načichnutí nebo znečištění.



Věcné škody

Přístroj musí být instalován rovnoběžně se stěnou.

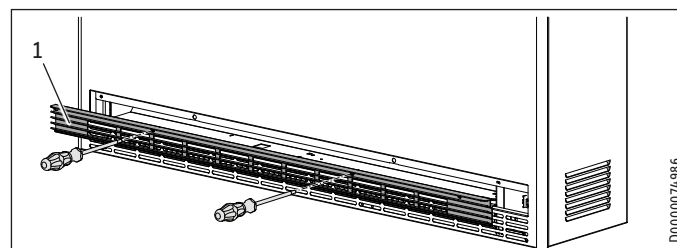
11.2 Minimální vzdálenosti



- Zajistěte, aby mohl z přístroje volně unikat horký vzduch.

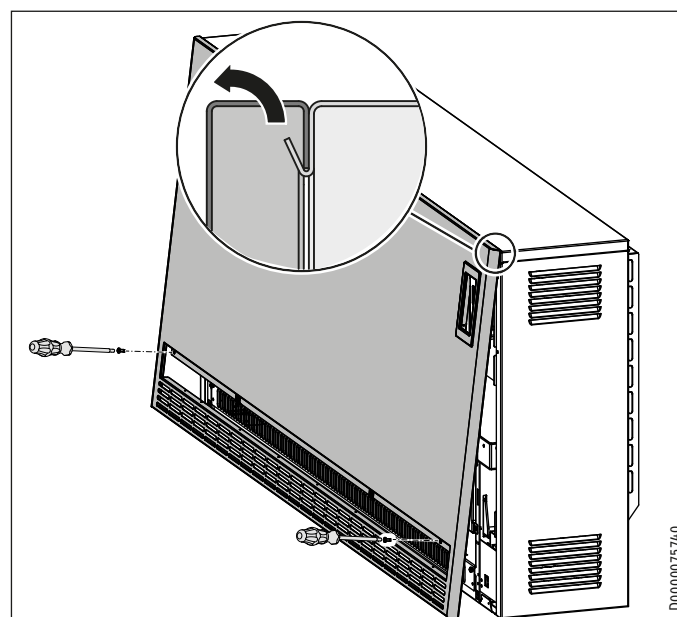
12. Montáž

12.1 Otevření přístroje

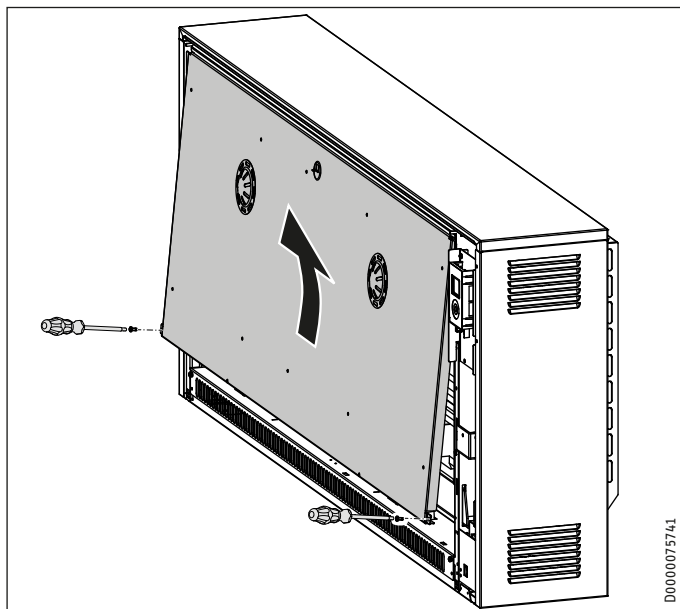


- 1 Mřížka na výstupu vzduchu

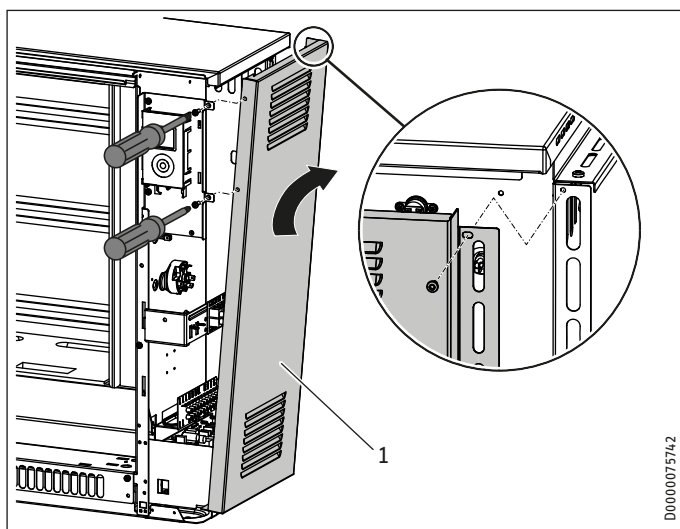
- Povolte oba čtvrté otočné uzávěry mřížky na výstupu vzduchu a vyjměte je.



- ▶ Povolte šrouby přední stěny.
- ▶ Přední stěnu potáhněte dopředu a vyzdvihněte ji směrem vzhůru.



- ▶ Uvolněte šrouby vnitřní přední stěny na spodní hraně.
- ▶ Vnitřní přední stěnu potáhněte dopředu a vyzdvihněte ji směrem vzhůru.



- 1 Pravá postranní stěna (s uvolněným šroubením)
- ▶ Uvolněte 3 šrouby vpředu a vzadu na pravé postranní stěně.
 - ▶ Postranní stěnu lehce přitáhněte směrem dopředu a sklopte ji nahoru na stranu.
 - ▶ Lehce nadzvedněte postranní stěnu a sejměte ji.

12.2 Nastavte regulaci nabíjení



Upozornění

Zohledněte následující údaje. Po montáži lze někdy tato nastavení provést v závislosti na místě a způsobu montáže pouze podmíněně.

12.2.1 Snížení příkonu

Zapojení přístroje je ze závodu nastaveno na maximální výkon (100 %).

Přemostěním, resp. odstraněním přemostění na připojovacích svorkách můžete příkon snížit o 3 výkonové stupně (viz kapitola „Technické údaje / Snížení příkonu“).

Dimenzování průřezů vodičů a zajištění je třeba provést v souladu s maximálním možným výkonem přístroje.



Upozornění

Dodržujte předpisy příslušných elektrorozvodných závodů.

12.2.2 Úprava výkonu v souladu se zvýšenou jmenovitou dobou nabíjení

Přeložením, resp. odstraněním přemostění na připojovacích svorkách lze příkon upravit na jmenovitou dobu nabíjení určenou elektrorozvodnými závody. Sériově jsou akumulární kamna dimenzována na jmenovitou dobu nabíjení v délce:

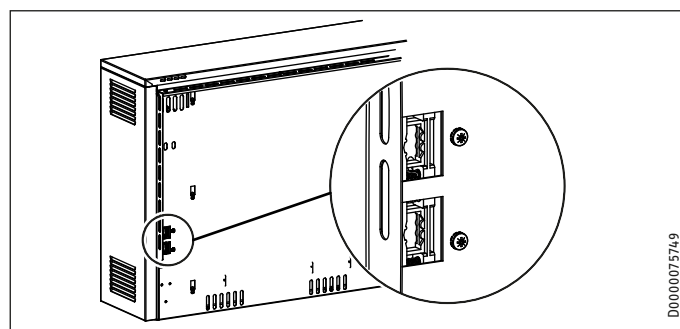
- 8 hodin SHF, SHS
- 7 hodin SHL

Dbejte minimálních odstupů (viz kapitola „Technické údaje/Minimální odstup“).

12.2.3 Přípojka k řídicímu signálu DC

Je-li v zařízení instalován řídicí systém nabíjení (stejnoseměrné napětí 0,91 V – 1,43 V), potřebujete konstrukční sadu DC Control Input (příslušenství). Řídicí signál DC musí být připojen na svorky A1/Z1 „DC + (kladný pól)“ a A2/Z2 „DC – (záporný pól)“ na svorkovnici X3. Dbejte na polaritu.

12.3 Síťová přípojka / přívodní vedení



VÝSTRAHA elektrický proud

▶ Před zahájením práce na přístroji odpojte přívodní vedení v rozvaděči od napětí.

- ▶ Protáhněte síťová přívodní vedení a přívodní vedení regulátoru nabíjení a vybijení otvory v zadní stěně přístroje a zapojte (viz kapitola „Technické údaje / Schéma elektrického zapojení“).
- ▶ Položte přívodní vedení v délce cca 260 mm a podle potřeby zkraťte. Kable nesmí přilíhat k větracím otvorům v postranní stěně.

12.4 Připojení elektrického napětí

12.4.1 Obecné informace

VÝSTRAHA elektrický proud
Je-li přístroj připojen k automatickému řídicímu systému nabíjení, může být na svorkách A1/Z1 a A2/Z2 napětí i tehdy, jsou-li vyjmuté pojistky.

VÝSTRAHA elektrický proud
Bezpečnostní nálepka „Achtung - Fernsteuerung! [Pozor – dálkové ovládání!]“ na plechovém úhelníku síťové připojovací svorky musí být přelepena příloženou bezpečnostní nálepkou v příslušném místním jazyce.

Elektrické připojení topných těles probíhá při 3/N/PE~400 V. S konstrukční sadou jednofázového připojení je možné i připojení 1/N/PE~230 V.

Připojení pomocí NYM je možné. Počet přívodních vedení a žil kabelu, jakož i průřezy vodiče závisí na připojovací hodnotě přístroje a typu síťové přípojky a dále na zvláštních předpisech elektroizvodny.

Dodržujte schéma elektrického zapojení a výkonové stupně (viz kapitola „Technické údaje“).

12.4.2 Připojení přístroje

VÝSTRAHA elektrický proud
Dbejte bezpodmínečně na bezvadné připojení ochranného vodiče.

VÝSTRAHA elektrický proud
Přívodní vedení nesmí být poškozená, vyjmutá nebo vytažená z přístroje.
► Položte přívodní vedení odpovídajícím způsobem.

Upozornění
Na svorkách L a N svorkovnice X2 musí být přítomno trvalé napětí.

► Elektrická přívodní vedení zajistíte proti vytržení a připojte je podle schématu zapojení v přístroji (na vnitřní straně pravé postranní stěny) nebo podle schématu elektrického zapojení v kapitole „Technické údaje“.

Pokud je plechový úhelník usazený v prostoru rozvaděče obtížně dostupný pro umístění svorek síťového zapojení kvůli malé vzdálenosti mezi stěnami, můžete ho po uvolnění upevňovacího šroubu vychýlit vpřed.

12.4.3 Řízení bez stykače k topení

Pokud se nemá instalovat stykač topení (částečně požadavek elektrorozvodného závodu), může být použita funkce elektroniky akumulčních kamen.

- K tomu připojte buď signály elektrorozvodného závodu LF a N nebo signály SH a N příslušného řízení nabíjení přímo na svorkách LF/SH a N akumulčních kamen.
- V konfigurační nabídce nastavte parametr P15 na 1 (viz kapitola „Instalace/Konfigurační nabídka“).

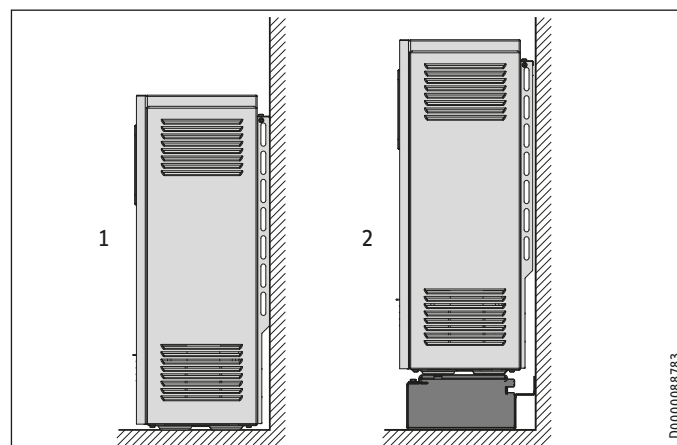
Topná tělesa v přístroji se zapnou teprve tehdy, dojde-li ze strany elektrorozvodných závodů k uvolnění tarifu pro nabíjení a nabíjení povolí elektronický regulátor nabíjení.

12.4.4 Typový štítek přístroje

Upozornění
Poznamenejte si příkon a jmenovitou dobu nabíjení.

► Vyznačte proto na typovém štítku příslušná políčka.

12.5 Instalace na podlahu



- 1 Instalace na podlahu
- 2 Instalace s podlahovými konzolami

Instalační plocha přístroje musí být rovná a musí mít dostatečnou nosnost. Informace o hmotnosti přístroje získáte v kapitole „Technické údaje / Tabulka údajů“. V případě pochybností kontaktujte znalce v oboru stavebnictví.

Přístroje mohou být umístěny na libovolnou běžnou podlahu, ale v oblasti nohou přístrojů se pod tlakem a vlivem tepla mohou vyskytnout změny na podlaze z PVC, parketách a koberci s dlouhým nebo vysokým vlasem. V těchto případech musí být používány tepelně odolné podložky (které musí poskytnout zákazník).

Stabilita přístroje musí být zajištěna upevněním ke stěně nebo podlaze.

Montáž na stěnu

Pro upevnění na stěnu u dostatečně nosné stěny se v zadní stěně přístroje v prostoru rozvaděče nachází otvor.

► Přišroubujte přístroj vhodným šroubem ke stěně, aby nedošlo k jeho překlopení.

Upevnění k podlaze

Případně můžete přístroj sešroubovat pomocí čtyř otvorů (Ø9 mm) v patkách přístroje s podlahou.

- Demontujte mřížku výstupu vzduchu, přední stěnu a konstrukční skupinu rozvodu vzduchu (viz kapitoly „Montáž/Otevření přístroje“ a „Čištění přístroje“).
- Přišroubujte přístroj pomocí vhodných šroubů k podlaze.

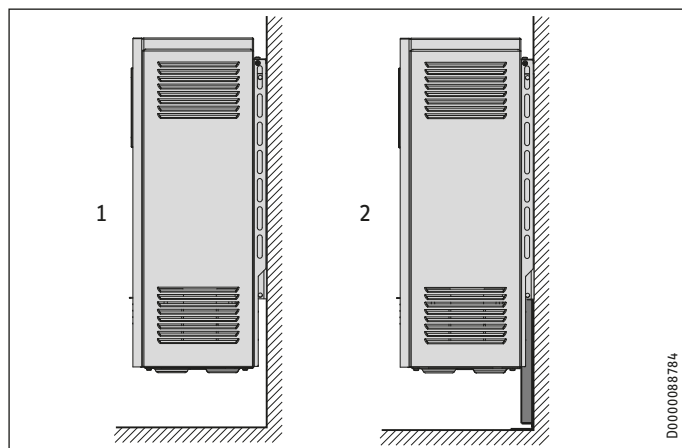
12.5.1 Instalace s podlahovými konzolami

Stacionární konzola Vario (příslušenství) umožňuje instalaci přístroje v určité vzdálenosti nad podlahou.

Pokud je možné upevnit přístroj na dostatečně nosnou stěnu, stačí jen našroubovat konzolu pod jeho opěrné nohy.

Není-li pro upevnění k dispozici vhodná stěna, musí se konzola přišroubovat k podlaze a k nohám přístroje.

12.6 Varianty montáže SHS



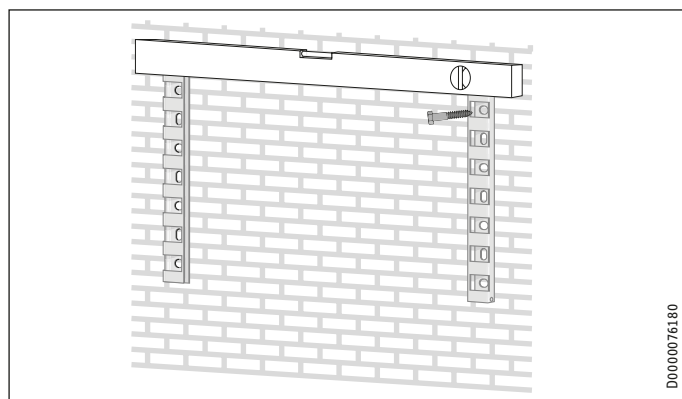
- 1 Montáž při dostatečně nosné stěně s nástěnným držákem (SHS 1200-3600)
- 2 Montáž pomocí opěrné konzoly, není-li stěna dostatečně nosná

12.6.1 Upevnění přístroje nad podlahu pomocí nástěnných držáků

Při tomto způsobu montáže postupujte takto:

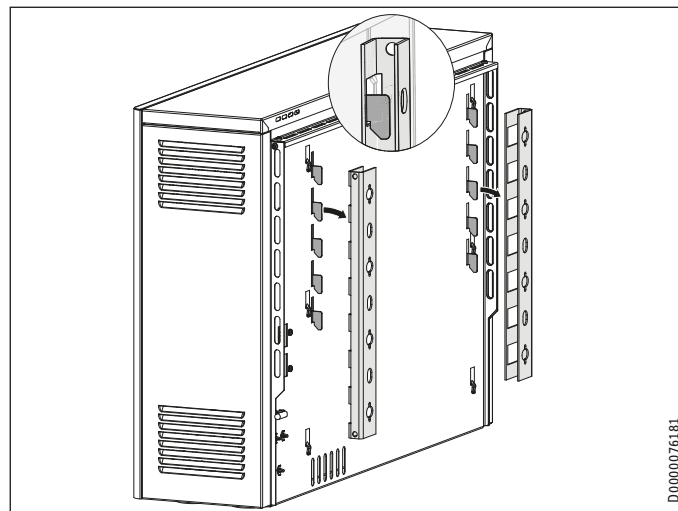
Pokud je k dispozici dostatečně nosná stěna, lze přístroj upevnit pomocí přiložených nástěnných držáků na tuto stěnu. Přitom platí:

- SHS 1200-3600: Nástěnný držák udrží hmotnost přístroje.
- SHS 4200-4800: Nástěnný držák musí být podepřen dodatečnou opěrnou konzolou (příslušenství).
- U stěny, která je nosná pouze částečně, potřebujete pro přístroje SHS 1200-3600 dodatečně také opěrnou konzolu (příslušenství).



- Odšroubujte oba nástěnné držáky od zadní strany přístroje.

- Upevněte nástěnné držáky s přihlednutím k minimální vzdálenosti a rozměrům pro odstupy od otvorů na stěně k upevnění přístroje. (Rozměry viz kapitola „Minimální odstupy“ a „Technické údaje / Rozměry a přípojky“).



- Zavěste přístroj do nástěnných držáků.

12.7 Vložení akumuláční vyzdívký



VÝSTRAHA popálení

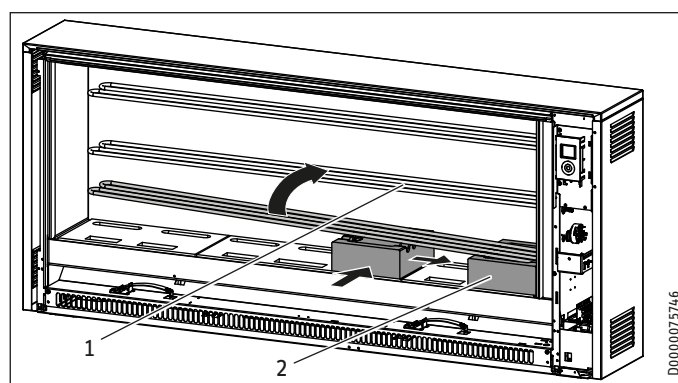
Poškozená tepelná izolace může způsobit přehřátí pláště.

- Zkontrolujte tepelnou izolaci v přístroji, zda nebyla při přepravě poškozena.
- Vyměňte vadné části tepelné izolace.

Přístroj musí být zcela očištěn od cizích těles a zbytků obalu.

- Odstraňte krycí plech a vloženou lepenku z vnitřního prostoru přístroje.

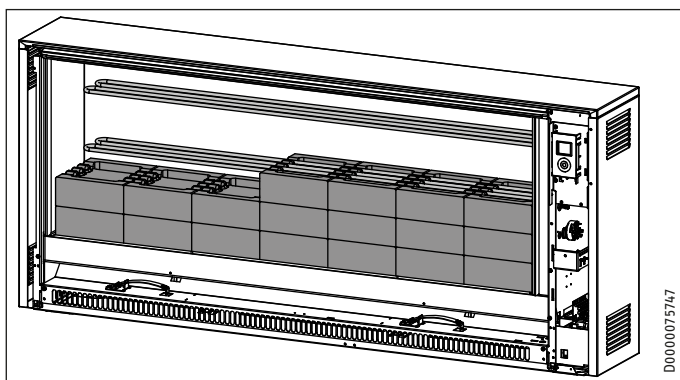
Cihly akumuláční vyzdívký se dodávají ve zvláštním obalu. Akumuláční cihly s lehkým poškozením způsobeným přepravou lze použít. Funkce přístroje tím není omezena.



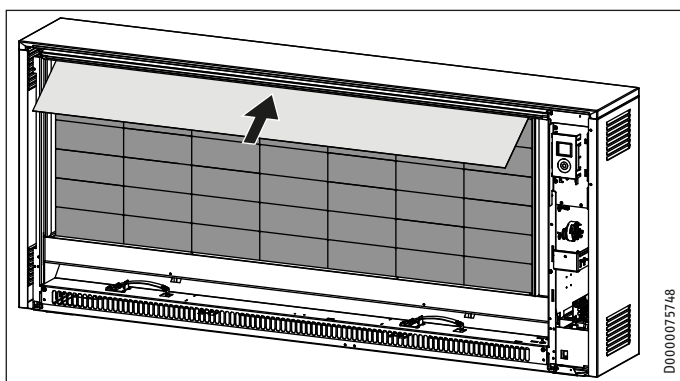
- 1 Topná tělesa
- 2 Akumuláční cihla

- Při instalaci akumuláčních cihel topná tělesa mírně zvedněte.
- Dbejte při zvedání topných těles na to, aby průchozí otvory v postranní tepelné izolaci nebyly topným tělesem rozšířeny.
- Vložte první akumuláční cihlu při dodržení určitého rozestupu k pravé tepelné izolaci, a sice štěrbinou topného tělesa nahoru.

- ▶ Přisuňte akumulční cihlu k pravé a současně zadní tepelné izolaci. Podélné otvory tvoří topné kanály.



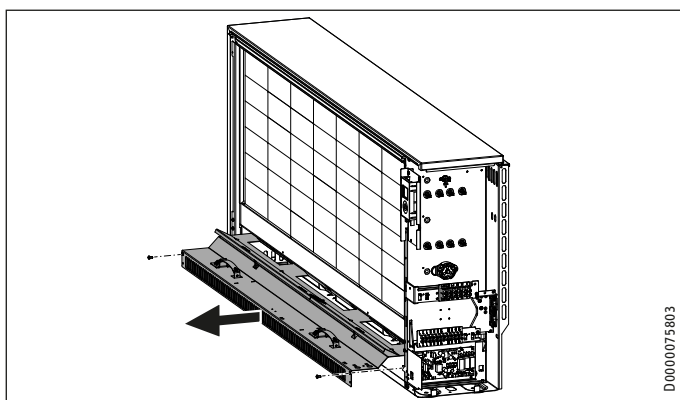
- ▶ Další akumulční cihly vložte v předepsaném pořadí.



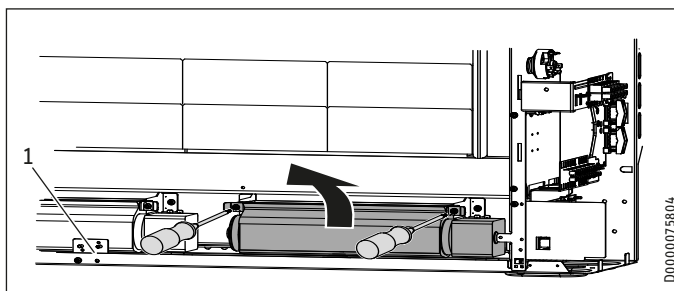
- ▶ Krycí plech sejmутý z vnitřního prostoru posuňte nad horní akumulční cihly.

12.8 Předání přístroje

- ▶ Po instalaci a vsazení akumulční vyzdívky přístroj vyčistěte. Postupujte takto:



- ▶ Vyjměte konstrukční skupinu rozvodu vzduchu.



1 Ochranný regulátor teploty (N5)

- ▶ Zvedněte ventilátor a vyjměte ho. K tomu musíte uvolnit šrouby usazené vpředu na přídržovacím úhelníku.
- ▶ Pamatujte na uložení kabelů.

U některých přístrojů je k tomu třeba vyšroubovat ochranný regulátor teploty (N5) včetně úchytného plechu.

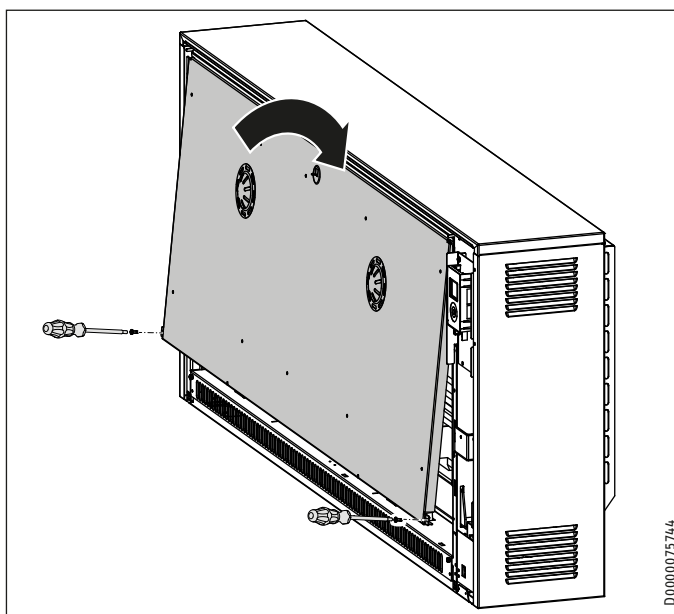


Věcné škody

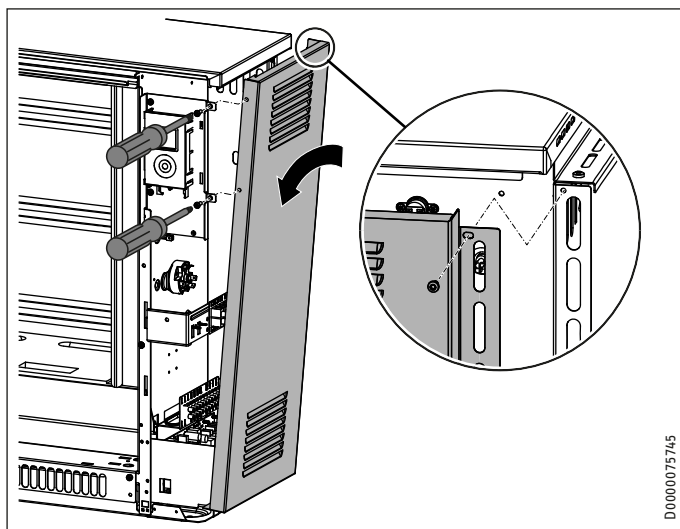
Při ukládání demontovaných částí dbejte na to, aby se nepoškodily vodiče.

- ▶ Vyčistěte spodní plech a ventilátor. Dávejte pozor, abyste nepoškodili lamely.
- ▶ V případě potřeby znovu namontujte ventilátor, ochranný regulátor teploty a konstrukční skupinu rozvodu vzduchu.
- ▶ Pamatujte na správné uložení kabelů.

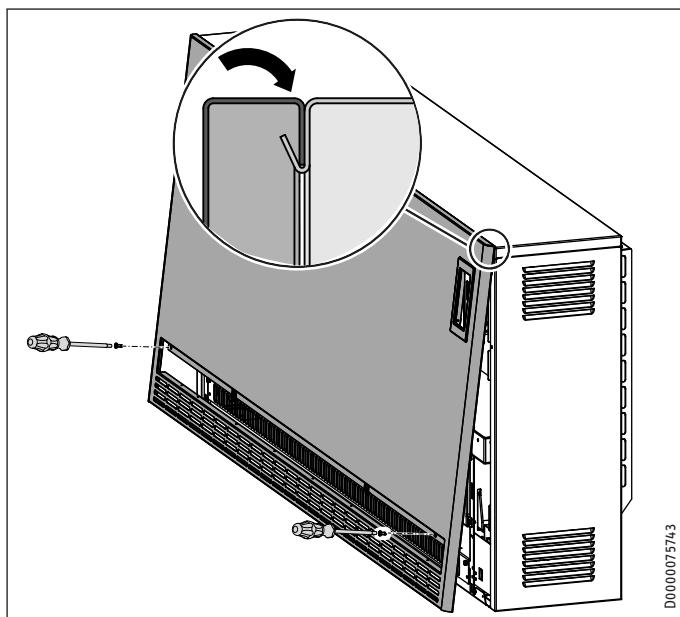
12.9 Uzavření přístroje



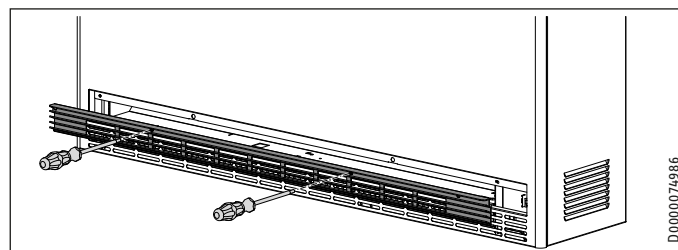
- ▶ Nasadte zpět vnitřní přední stěnu.



- ▶ Nasadte pravou dolní postranní stěnu a vyklopte ji nahoru na přístroj.
- ▶ Zavěste horní postranní stěnu na víko a zatlačte ji dozadu. Ujistěte se, že postranní stěna spočívá na úchytném plechu ovládací jednotky.
- ▶ Postranní stěnu přišroubujte 3 šrouby včetně ozubených kotoučů.



- ▶ Před montáží přední stěny sundejte ochrannou fólii z ovládací jednotky.
- ▶ Nasadte zpět přední stěnu.
- ▶ Přední stěnu přišroubujte šrouby včetně ozubených kotoučů.



- ▶ Nasadte mřížku výstupu vzduchu přes oba čtvrtěční otočné uzávěry.

13. Konfigurační nabídka

V konfigurační nabídce jsou skutečné hodnoty a parametry rozděleny do dvou úrovní přístupu.

Úroveň přístupu	Popis
A0	Skutečné hodnoty a parametry, které jsou odblokovány pro uživatele přístroje a dostupné bez kódu. Parametry lze vybírat tlačítkem „+“ nebo „-“.
A1	Po zadání čtyřmístného číselného kódu se aktivují další skutečné hodnoty a parametry, které jsou vyhrazeny pro autorizovaný servis. Parametry lze vybírat jen tlačítkem „+“.

Chcete-li vstoupit do konfigurační nabídky, podržte stisknuté tlačítko „Nabídka“. Po cca 3 sekundách se zobrazí skutečná hodnota I1.

Uvolnění skutečných hodnot a parametrů v úrovni přístupu A1

- ▶ Pomocí tlačítek „+“ nebo „-“ vyvolejte bod nabídky „Code“.
- ▶ Střídavě s bodem nabídky se zobrazí úroveň přístupu A0.
- ▶ Stiskněte tlačítko „OK“.
- ▶ Pomocí tlačítek „+“ nebo „-“ zadejte kód 1 0 0 0.

Po správném zadání kódu jsou vidět skutečné hodnoty a parametry, které byly dříve zablokované.

Chcete-li změnit hodnotu parametru, vyvolejte příslušný parametr tlačítkem „+“. Stiskněte tlačítko „OK“.

Jakmile se zobrazí symbol „Parametry lze editovat“, můžete hodnotu parametru změnit pomocí tlačítek „+“ a „-“. K uložení nastavené hodnoty stiskněte tlačítko „OK“.

Pokud stisknete tlačítko „Nabídka“ nebo neprovedete po dobu delší než 10 sekund žádnou akci obsluhy, přístroj se automaticky přepne na standardní zobrazení. Blokování parametrů se znovu aktivuje.

Zobrazení, úroveň přístupu	Význam	Možnosti	Popis	
I1*	A0	Skutečná hodnota teploty místnosti [°C, °F]		
I2	A0	Relativní doba ohřevu [h]		
I3	A1	Požadovaný stupeň nabití dalšího nabíjení [%]		
I4	A1	Skutečný stupeň nabití [%]		
Pro1*	A0	Časový program Pro1		
Pro2*	A0	Časový program Pro2		
Pro3*	A0	Časový program Pro3		
P1*	A0	Ofset teploty místnosti	±3 °C ±5 °F	
P2*	A0	Časový formát	12 h 24 h	
P3*	A0	Jednotka ukazatele teploty	°C °F	
P4*	A0	Reset časových programů	on off	
P5	A0	Reset relativní doby ohřevu	on off	
P6	A1	Řídicí signál SL	0	Vstup SL deaktivován (tovární nastavení): Řízení ventilátoru se provádí pomocí integrovaného prostorového termostatu.
			1	Vstup SL aktivován: Řízení ventilátoru se provádí pomocí 2bodového prostorového termostatu montovaného na stěnu.
P7*	A1	Typ řízení ventilátoru	0	Dvoubodová regulace: Ventilátor je zapínán a vypínán integrovaným prostorovým termostatem podle spotřeby tepla.
			1	Proporcionální regulace (tovární nastavení): Integrovaný prostorový termostat plynule přizpůsobuje otáčky motorů ventilátorů podle spotřeby tepla.
P8	A1	Snížení vypínací teploty	100 %	Ve spojení s měnitelným příkonem lze nastavit čtyři různé stupně nabití pro elektronický regulátor nabíjení. Nastavení z výroby je 100 % (žádné snížení). Je-li vybráno jiné nastavení, sníží se stupeň nabití (sníží se vypínací teplota elektrického regulátoru nabíjení). Viz kapitola „Technické údaje / Snížení příkonu při zachování jmenovité doby nabíjení“.
			90 %	
			80 %	
			70 %	
P12	A1	Přídavné topení (příslušenství)	0	Není-li v přístroji instalováno žádné přídavné topení (tovární nastavení).
			1	Přídavné topení instalované v přístroji se aktivuje.
P14	A1	Zdroj požadovaného stupně nabití	1	Množství nabíjení se reguluje pouze pomocí zeslabovače stupně nabití.
			2	Vedení řídicího systému nabíjení je připojeno k řídicímu signálu AC (tovární nastavení). Systém ED a postup při poruchách lze nastavit prostřednictvím parametrů P17 a P18.
			3	Vedení řídicího systému nabíjení je připojeno k řídicímu signálu DC. Postup při poruchách lze nastavit prostřednictvím parametru P18.
			4	Velikost nabití je určována prostřednictvím regulace nabíjení podle teploty v místnosti. Uvolnění nabíjení lze vybrat prostřednictvím parametru P15 (P15=1 nebo P15=3).
P15	A1	Zdroj aktivace nízkého tarifu	0	Trvalé spuštění (tovární nastavení): Topná tělesa se zapnou po uvolnění nabíjení stykačem topení a elektronickým regulátorem nabíjení.
			1	Uvolnění prostřednictvím hardwarového signálu LF: Topná tělesa se zapnou teprve tehdy, dojde-li ze strany elektrorozvodných závodů k uvolnění tarifu pro nabíjení a nabíjení povolí elektronický regulátor nabíjení. Signál EVU LF musí být připojen ke svorce LF/SH.
			3	Uvolnění prostřednictvím hodin: Topná tělesa se zapnou teprve tehdy, když toto povolí interní hodiny a elektronický regulátor nabíjení. Během 24 hodin je možné jen jedno povolení. Počáteční čas uvolnění se nastavuje parametrem P19 a doba nabíjení parametrem P20.
P17	A1	Systém ED	30 % - 80 %	Vedení řídicího systému nabíjení musí být připojeno k řídicímu signálu AC (signál střídavého napětí na svorkách A1 a A2). Elektronický regulátor nabíjení přístroje lze provozovat na řízeních nabíjení u systémů ED 80 %, 72 %, 68 %, 40 % a 37 %. Nastavení z výroby je určeno pro 80% systémy ED. Pokud je přístroj provozován na jiných systémech ED, musí být tento parametr nastaven na odpovídající procentuální hodnotu.
P18	A1	Postup při poruchách	0	Přístroj je nastaven na „negativní chování při poruchách“ (akumulační kamna se při vadném řídicím systému nenabíjí). Nastavení je možné pouze při provozu s digitálními řízeními nabíjení. U řízení nabíjení AC je navíc zapotřebí také 80% signál ED.
			1	Přístroj je nastaven na „pozitivní chování při poruchách“ (tovární nastavení). Má-li řídicí systém nabíjení závadu (například výpadek řídicího signálu), bude přístroj plně nabít.
P19	A1	Počáteční čas uvolnění prostřednictvím hodin	- :- -	Nastavte počáteční čas uvolnění nabíjení prostřednictvím interních hodin. Tovární nastavení je 00:00 hodin. Při nastavování počátečního času zkontrolujte, zda je správně nastaven den v týdnu a čas.
P20	A1	Doba uvolnění prostřednictvím hodin	00:00 h - 22:00 h	Nastavte dobu nabíjení pro uvolnění nabíjení prostřednictvím interních hodin. Tovární nastavení je 8 hodin. Maximální doba nabíjení činí 22 hodin.

* Zobrazuje se jen v případě, že řízení ventilátoru zajišťuje integrovaný prostorový termostat.

14. Uvedení do provozu

14.1 Kontrola před uvedením do provozu

Před uvedením do provozu můžete provést zkoušku funkce. Vyvolejte k tomu režim uvedení do provozu v konfigurační nabídce.

- ▶ Chcete-li vstoupit do konfigurační nabídky, podržte stisknuté tlačítko „Nabídka“ cca 3 sekundy.

Nejprve musíte uvolnit úroveň přístupu A1, která je vyhrazena autorizovanému servisu.

- ▶ Pomocí tlačítek „+“ nebo „-“ vyvolejte bod nabídky „CodE“.
- ▶ Stiskněte tlačítko „OK“.
Zobrazí se zadání kódu. První číslice bliká.
- ▶ Pomocí tlačítek „+“ nebo „-“ zadejte kód 1000. Po zadání každé číslice stiskněte tlačítko „OK“.
- ▶ Po zadání správného kódu vyvolejte tlačítkem „+“ skutečnou hodnotu 14.
- ▶ Chcete-li vstoupit do režimu uvedení do provozu, podržte stisknutá současně tlačítka „Nabídka“ a „+“ cca 3 sekundy.

V režimu uvedení do provozu se provede první nabíjení. Množství nabití odpovídá nastavení na omezovači stupně nabití. Na displeji se zobrazí průběh nabíjení v procentech.



Upozornění

- Pokud je omezovač stupně nabití nastaven na 0 %, nedojde k žádnému nabíjení.
- Po dosažení množství nabití opustí přístroj automaticky režim uvedení do provozu.

- ▶ Zkontrolujte funkci ventilátoru zapnutím spuštění ventilátoru pomocí tlačítka „Ventilátor“.
- ▶ Chcete-li opustit režim uvedení do provozu, podržte stisknutá současně tlačítka „Nabídka“ a „-“ cca 3 sekundy.

14.2 První uvedení do provozu

Přístroj můžete uvést do provozu ihned po úspěšné montáži.

- ▶ Nabíjení nastavte pomocí omezovače stupně nabití nebo řídicího systému nabíjení.

14.2.1 Nabíjení

Při prvním nabíjení může vznikat zápach.

- ▶ Zajistěte dostatečné větrání prostoru. Vyklopením okna do větrací polohy např. dosáhnete 1,5násobku výměny vzduchu.

Pokud přístroj instalujete v ložnici, nemělo by probíhat první nabíjení během spánku.

15. Přestavba přístroje

Pro přestavbu, nastavbu a vestavbu je rozhodující vždy návod přiložený k příslušné konstrukční sadě.

16. Předání přístroje

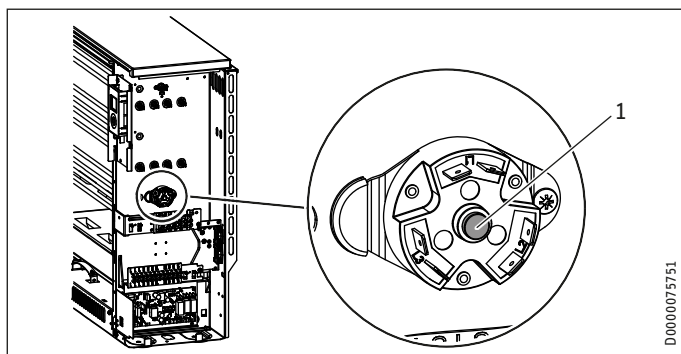
Vysvětlete uživateli funkce přístroje. Upozorněte jej především na bezpečnostní pokyny. Předajte uživateli tento návod k obsluze a instalaci.

17. Odstraňování poruch

17.1 Tabulka poruch

Závada	Příčina	Odstranění
Přístroj se neohřívá.	Řízení stykače topného tělesa není v pořádku. Chybějící napájení akumulčních kamen. Chybějící napájení v regulátoru nabíjení.	Zkontrolujte řízení stykače topného tělesa. Zkontrolujte pojistky vnitřní instalace. Zkontrolujte napájení. Viz kapitola „Elektrické připojení“ a/ nebo „Technické údaje“.
	Bezpečnostní omezovač teploty (F1) se spustil.	Uvolněte opět omezovač teploty (viz kapitola „Uvolnění bezpečnostního omezovače teploty“).
	Řídicí systém dobíjení je špatně nastaven. Regulátor nabíjení nepracuje bezchybně.	Zkontrolujte nastavení řídicího systému nabíjení. Zkontrolujte nastavení parametrů P14, P15, P17 a P18 v konfigurační nabídce (viz kapitola „Instalace/Konfigurační nabídka“).
Přístroj se při mírných venkovních teplotách příliš nabíjí (za použití řízení nabíjení).	Je přerušen přenos řídicího signálu. Topná křivka je špatně nastavena. Vadné čidlo venkovní teploty. Regulátor nabíjení vysílá špatný řídicí signál.	Zkontrolujte, zda akumulční kamna přijímají řídicí signál řídicího systému nabíjení. Zkontrolujte nastavení řízení nabíjení Přeměřte čidlo venkovní teploty a případně ho vyměňte. Zkontrolujte nastavení parametrů P17 a P18 v konfigurační nabídce (viz kapitola „Instalace/Konfigurační nabídka“).
Přístroj se při mírných venkovních teplotách příliš nabíjí (za použití řízení nabíjení).	Nastavení omezovače stupně nabití na akumulčních kamnech.	Zkontrolujte nastavení omezovače stupně nabití.
V místnosti je při regulaci nabíjení podle teploty v místnosti večer příliš teplo.	Hladina energie v přístroji je příliš vysoká.	Snižte hladinu energie v přístroji pomocí zeslabovače stupně nabití.
Přístroj se nevybíjí.	Ventilátory se netočí. Vláknové sítko ve vstupu vzduchu je ucpané.	Zkontrolujte... ... nastavení parametru P6 v konfigurační nabídce (viz kapitola „Instalace/Konfigurační nabídka“). ... zda je zapnuto spuštění ventilátoru. ... zda je napětí ventilátoru v akumulčních kamnech. Vyčistěte sítko. Viz kapitola „Čištění, péče a údržba“. Zkontrolujte, zda něco nebrání přívodu vzduchu, např. u koberců s vysokým vlasem. Zkontrolujte, zda se nespustil ochranný regulátor teploty (N5) na výstupu vzduchu.
Zobrazení ukazuje kód chyby „E1“.	Snímač teploty v místnosti je vadný.	Přeměřte snímač teploty v místnosti a případně ho vyměňte.
Zobrazení ukazuje kód chyby „E2“.	Snímač teploty jádra je vadný.	Přeměřte snímač teploty jádra a případně ho vyměňte.
Zobrazení ukazuje kód chyby „E3“.	Řídicí signál DC je připojen s prepólováním.	Zkontrolujte připojení řídicího signálu DC.

17.1.1 Uvolnění bezpečnostního omezovače teploty (F1)



1 Tlačítko Reset bezpečnostního omezovače teploty

Po odstranění příčiny chyby lze bezpečnostní omezovač teploty opět uvolnit stisknutím tlačítka Reset.

17.2 Symboly na typovém štítku



Symboly typového štítku (příklad SHF 7000)

- Celková hmotnost
- Nabíjení
- Vybíjení
- Přídatné topení
- Ventilátor

18. Čištění a údržba

Kanál ventilátoru za mřížkou výstupu vzduchu se musí každé dva roky kontrolovat. Zde může docházet k usazování mírných nečistot.



Upozornění

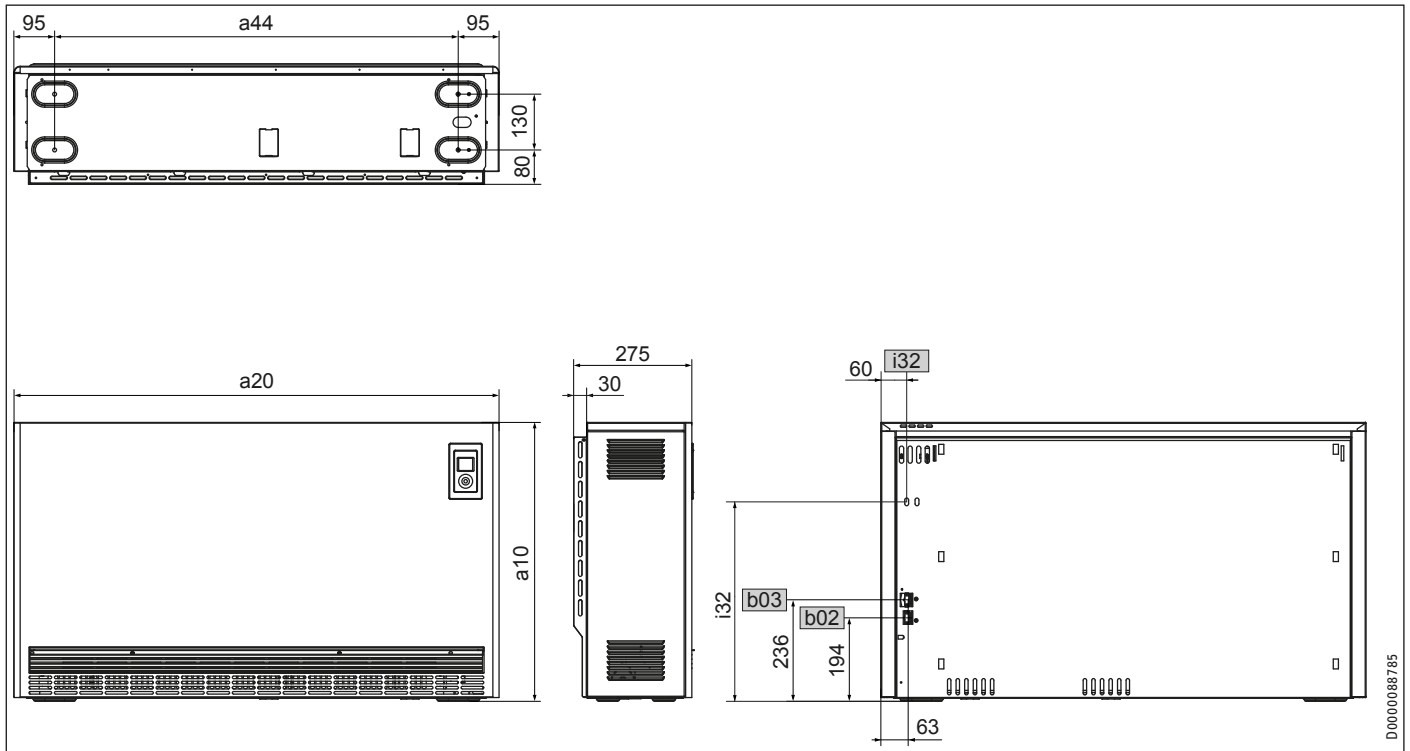
Při pravidelné údržbě doporučujeme nechat otestovat také kontrolní a regulační zařízení.

- ▶ Bezpečnostní, kontrolní a regulační zařízení a celý řídicí systém nabíjení a vybíjení nechejte otestovat autorizovaným servisem nejpozději 10 let po prvním uvedení do provozu.

19. Technické údaje

19.1 Rozměry a přípojky

SHF | SHL



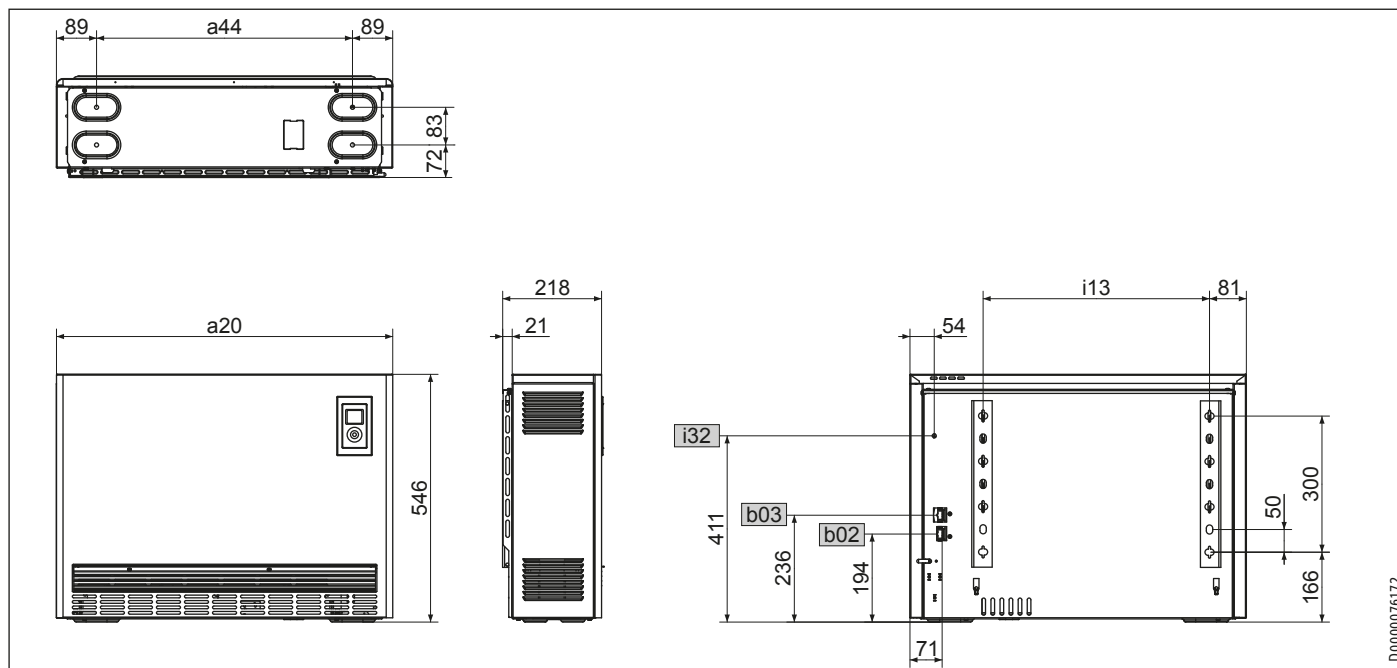
D000008785

			SHF 2000	SHF 3000	SHF 4000	SHF 5000	SHF 6000	SHF 7000	SHL 3500	SHL 5000
a10	Přístroj	Výška	mm	650	650	650	650	650	490	490
a20	Přístroj	Šířka	mm	605	780	955	1130	1305	1130	1480
a44	Přístroj	Vzdálenost stavěcích noh	mm	415	590	765	940	1115	940	1290
b02	Průchodka el. rozvodu I									
b03	Průchodka el. rozvodu II									
i32	Fixace	Výška	mm	464	464	464	464	464	306	306

INSTALACE

Technické údaje

SHS

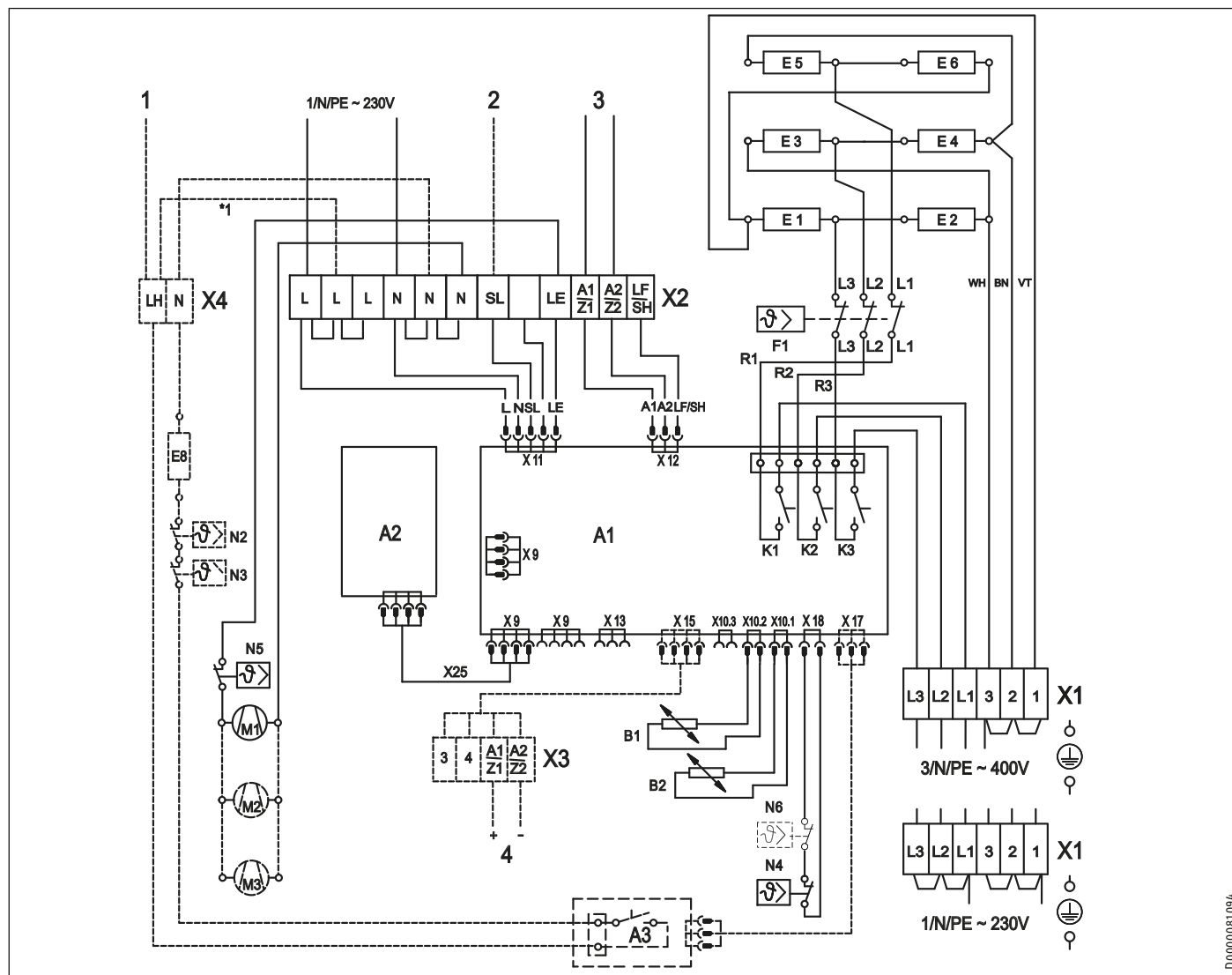


D0000076172

ČESKY

			SHS 1200	SHS 1800	SHS 2400	SHS 3000	SHS 3600	SHS 4200	SHS 4800	
a20	Přístroj	Šířka	mm	580	741	902	1063	1224	1385	1546
a44	Přístroj	Vzdálenost stavěcích noh	mm	402	563	724	885	1046	1207	1368
b02	Průchodka el. rozvodu I									
b03	Průchodka el. rozvodu II									
i13	Zavěšení na zeď	Vodorovný rozestup mezi otvory	mm	337,5	498,5	659,5	820,5	981,5	1142,5	1303,5
i32	Fixace									

19.2 Schéma elektrického zapojení



Část zásobníku

A1	Elektronický regulátor nabíjení/vybíjení
A2	Elektronika ovládacího pultu
B1	Čidlo ve vyzdívice - nabíjení
B2	Snímač teploty místnosti - vybíjení
F1	Bezpečnostní omezovač teploty
E1-E6	Topná tělesa
M1-M3	Ventilátor akumulčních kamen
N4	Omezovač teploty - nabíjení
N5	Ochranný regulátor teploty
N6	Omezovač teploty - stupeň nabití pouze SHF 6000-7000, SHS 3000-4800, SHL 5000
X25	Spojovací vedení vnitřní A1-A2
X1	Síťová přípojovací svorka
X2	Přípojovací svorka

Příslušenství

(Není součástí dodávky. Zakřížkujte příslušné instalované příslušenství v políčkách.)

Přípojení stejnosměrného proudu
X3 Přípojovací svorka DC (0,91-1,43 V)

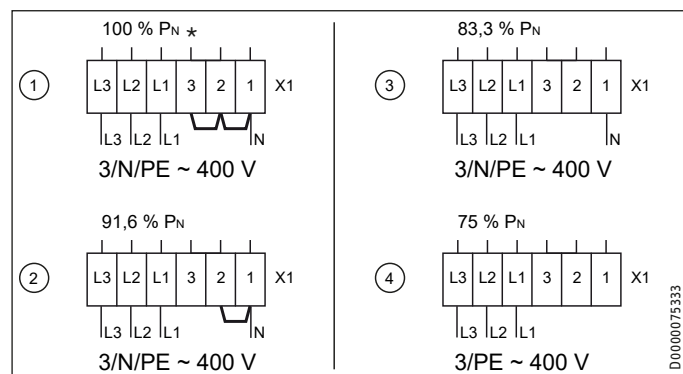
Přídavné topení (interní ovládání)
*1 / žíla LH - L

Přídavné topení (externí ovládání)
A3 Konstrukční skupina relé přídavného topení
E8 Přídavné topné těleso
N2 Regulátor teploty přídavného topení
N3 Regulátor teploty přídavného topení
X4 Přípojovací svorka

Přípojky

1 (LH) Přídavné topení externí ovládání (LH)
2 (SL) Ventilátor externí ovládání (LE)
3 (A1/A2) Systém řízení nabíjení 230 V AC
4 (A1/A2) DC řízení nabíjení systém nízkého napětí

19.3 Snížení příkonu při zvýšení jmenovité doby nabíjení



* Sériové zapojení

SHF | SHS

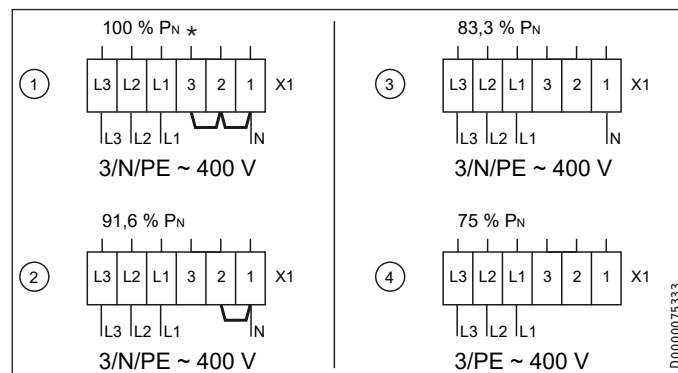
Varianty výkonu					
Možnosti připojení		①	②	③	④
Připojovací kabely		100 %	91,6 %	83,3 %	75 %
Jmenovitá doba nabíjení		8 h	9 h	10 h	-
Typy					
SHF 2000	kW	2,00	1,83	1,67	1,50
SHF 3000	kW	3,00	2,75	2,50	2,25
SHF 4000	kW	4,00	3,66	3,33	3,00
SHF 5000	kW	5,00	4,58	4,16	3,75
SHF 6000	kW	6,00	5,50	5,00	4,50
SHF 7000	kW	7,00	6,42	5,83	5,25
SHS 1200	kW	1,20	1,10	1,00	0,90
SHS 1800	kW	1,80	1,65	1,50	1,35
SHS 2400	kW	2,40	2,20	2,00	1,80
SHS 3000	kW	3,00	2,76	2,49	2,25
SHS 3600	kW	3,60	3,30	3,00	2,70
SHS 4200	kW	4,20	3,86	3,51	3,15
SHS 4800	kW	4,80	4,40	4,00	3,60

SHL

Varianty výkonu					
Možnosti připojení		①	②	③	④
Připojovací kabely		100 %	91,6 %	83,3 %	75 %
Jmenovitá doba nabíjení		7 h	8 h	9 h	10 h
Typy					
SHL 3500	kW	3,50	3,21	2,92	2,63
SHL 5000	kW	5,00	4,58	4,16	3,75

19.4 Snížení příkonu při zachování jmenovité doby nabíjení

- Jmenovitá doba nabíjení SHL: 7 hodin
- Jmenovitá doba nabíjení SHF, SHS: 8 hodin



* Sériové zapojení

Varianty výkonu					
Možnosti připojení		①	②	③	④
Připojovací kabely		100 %	91,6 %	83,3 %	75 %
Stupně nabití volitelné pomocí parametru P8		100 %	90 %	80 %	70 %

INSTALACE

Technické údaje

19.5 Údaje ke spotřebě energie

Údaje o výrobku odpovídají nařízením EU ke směrnicí o ekodesignu výrobků v souvislosti se spotřebou energie (ErP).

Informace o výrobku týkající se elektrických topidel do jednotlivých místností podle nařízení (EU) 2015/1188

		SHF 2000	SHF 3000	SHF 4000	SHF 5000	SHF 6000	SHF 7000	SHL 3500	SHL 5000
		200175	200176	200177	200178	200179	200180	200304	200305
Výrobce		STIEBEL ELTRON	STIEBEL ELTRON	STIEBEL ELTRON	STIEBEL ELTRON	STIEBEL ELTRON	STIEBEL ELTRON	STIEBEL ELTRON	STIEBEL ELTRON
Tepelný výkon									
Jmenovitý tepelný výkon P_{nom}	kW	1,0	1,5	2,0	2,5	3,0	3,5	1,5	2,2
Minimální tepelný výkon (směrná hodnota) P_{min}	kW	0,0	0,0	0,0	0,0	0,0	0,0	0,0	0,0
Maximální trvalý tepelný výkon $P_{max,c}$	kW	1,3	2,3	3,0	3,5	4,3	4,9	2,7	3,9

		SHS 1200	SHS 1800	SHS 2400	SHS 3000	SHS 3600	SHS 4200	SHS 4800	
		200181	200182	200183	200184	200185	200186	200187	
Výrobce		STIEBEL ELTRON	STIEBEL ELTRON	STIEBEL ELTRON	STIEBEL ELTRON	STIEBEL ELTRON	STIEBEL ELTRON	STIEBEL ELTRON	
Tepelný výkon									
Jmenovitý tepelný výkon P_{nom}	kW	0,6	0,9	1,2	1,5	1,8	2,1	2,4	
Minimální tepelný výkon (směrná hodnota) P_{min}	kW	0,0	0,0	0,0	0,0	0,0	0,0	0,0	
Maximální trvalý tepelný výkon $P_{max,c}$	kW	1,0	1,5	1,8	2,2	2,6	2,8	3,7	

Spotřeba pomocného proudu									
Při jmenovitém tepelném výkonu e_{lmax}	kW	0,000	0,000	0,000	0,000	0,000	0,000	0,000	0,000
Při minimálním tepelném výkonu e_{lmin}	kW	0,000	0,000	0,000	0,000	0,000	0,000	0,000	0,000
V pohotovostním stavu e_{lsb}	kW	0,000	0,000	0,000	0,000	0,000	0,000	0,000	0,000
Typ regulace přívodu tepla									
Ruční regulace přívodu tepla s integrovaným termostatem		-	-	-	-	-	-	-	-
Ruční regulace přívodu tepla se zpětnou vazbou o teplotě místnosti a/nebo venkovní teplotě		-	-	-	-	-	-	-	-
Elektronická regulace přívodu tepla se zpětnou vazbou o teplotě místnosti a/nebo venkovní teplotě		x	x	x	x	x	x	x	x
Uvolňování tepla s podporou ventilátoru		x	x	x	x	x	x	x	x
Druh tepelného výkonu/kontroly teploty místnosti									
Jednostupňový tepelný výkon, žádná kontrola teploty místnosti		-	-	-	-	-	-	-	-
Dva nebo více ručně nastavitelných stupňů, bez kontroly teploty místnosti		-	-	-	-	-	-	-	-
Kontrola teploty místnosti s mechanickým termostatem		-	-	-	-	-	-	-	-
S elektronickou kontrolou teploty místnosti		-	-	-	-	-	-	-	-
Elektronická kontrola teploty místnosti a regulace denní doby		-	-	-	-	-	-	-	-
Elektronická kontrola teploty místnosti a regulace podle dnů v týdnu		x	x	x	x	x	x	x	x
Jiné možnosti regulace									
Kontrola teploty místnosti se zjištěním přítomnosti		-	-	-	-	-	-	-	-
Kontrola teploty místnosti se zjištěním otevřeného okna		x	x	x	x	x	x	x	x
S možností dálkového ovládání		-	-	-	-	-	-	-	-
S adaptivní regulací zahájení topení		x	x	x	x	x	x	x	x
S omezením doby provozu		-	-	-	-	-	-	-	-
Se snímačem s černou kuličkou		-	-	-	-	-	-	-	-

INSTALACE

Technické údaje

19.6 Tabulka údajů

SHF | SHL

		SHF 2000	SHF 3000	SHF 4000	SHF 5000	SHF 6000	SHF 7000	SHL 3500	SHL 5000
		200175	200176	200177	200178	200179	200180	200304	200305
Elektrotechnické údaje									
Přípojovací výkon	W	2000	3000	4000	5000	6000	7000	3500	5000
Jmenovité napětí	V	400	400	400	400	400	400	400	400
Fáze		3/N/PE	3/N/PE	3/N/PE	3/N/PE	3/N/PE	3/N/PE	3/N/PE	3/N/PE
Frekvence	Hz	50/-	50/-	50/-	50/-	50/-	50/-	50/-	50/-
Jmenovité dohřívání	kWh	16	24	32	40	48	56	28	40
Elektrické přídatné topení	kW	0,35	0,50	0,80	1,00	1,20	1,50	1,00	1,50
Energetické údaje									
Koeficient ročního využití elektrického vytápění η_s	%	39,5	39,5	39,5	39,5	39,5	39,5	39,5	39,5
Rozměry									
Výška	mm	650	650	650	650	650	650	490	490
Šířka	mm	605	780	955	1130	1305	1480	1130	1480
Hloubka	mm	275	275	275	275	275	275	275	275
Hmotnosti									
Hmotnost	kg	32	40	48	56	64	72	55	71
Hmotnost (s kameny)	kg	118	169	220	271	322	373	189	259
Provedení									
Barva		Alpská bílá	Alpská bílá	Alpská bílá	Alpská bílá	Alpská bílá	Alpská bílá	Alpská bílá	Alpská bílá
Hodnoty									
4stupňová redukce stupně naplnění		100/90/80/70	100/90/80/70	100/90/80/70	100/90/80/70	100/90/80/70	100/90/80/70	100/90/80/70	100/90/80/70
Schopnost akumulace tepla	%	47	52	55	56	59	60	49	50
Provozní hluk	dB(A)	30	32	33	34	34	34	34	35
Obchodní atributy									
Počet sad cihel		6	9	12	15	18	21	10	14

SHS

		SHS 1200	SHS 1800	SHS 2400	SHS 3000	SHS 3600	SHS 4200	SHS 4800	
		200181	200182	200183	200184	200185	200186	200187	
Elektrotechnické údaje									
Přípojovací výkon	W	1200	1800	2400	3000	3600	4200	4800	
Jmenovité napětí	V	400	400	400	400	400	400	400	
Fáze		3/N/PE	3/N/PE	3/N/PE	3/N/PE	3/N/PE	3/N/PE	3/N/PE	
Frekvence	Hz	50/-	50/-	50/-	50/-	50/-	50/-	50/-	
Jmenovité dohřívání	kWh	9,6	14,4	19,2	24,0	28,8	33,6	38,4	
Elektrické přídatné topení	kW	0,35	0,50	0,80	1,00	1,20	1,50	1,70	
Energetické údaje									
Koeficient ročního využití elektrického vytápění η_s	%	39,5	39,5	39,5	39,5	39,5	39,5	39,5	
Rozměry									
Výška	mm	546	546	546	546	546	546	546	
Šířka	mm	580	741	902	1063	1224	1385	1546	
Hloubka	mm	218	218	218	218	218	218	218	
Hmotnosti									
Hmotnost	kg	24	30	37	43	50	57	63	
Hmotnost (s kameny)	kg	74	106	138	169	201	233	265	
Provedení									
Barva		Alpská bílá	Alpská bílá	Alpská bílá	Alpská bílá	Alpská bílá	Alpská bílá	Alpská bílá	
Hodnoty									
4stupňová redukce stupně naplnění		100/90/80/70	100/90/80/70	100/90/80/70	100/90/80/70	100/90/80/70	100/90/80/70	100/90/80/70	
Schopnost akumulace tepla	%	39	44	46	48	49	51	51	
Provozní hluk	dB(A)	29	28,5	31	32	32	32	32	
Obchodní atributy									
Počet sad cihel		6	9	12	15	18	21	24	

Záruka

Pro přístroje nabyté mimo území Německa neplatí záruční podmínky poskytované našimi firmami v Německu. V zemích, ve kterých některá z našich dceřiných společností distribuuje naše výrobky, poskytuje záruku jenom tato dceřiná společnost. Takovou záruku lze poskytnout pouze tehdy, pokud dceřiná společnost vydala vlastní záruční podmínky. Jinak nelze záruku poskytnout.

Na přístroje zakoupené v zemích, ve kterých nejsou naše výrobky distribuovány žádnou z dceřiných společností, neposkytujeme žádnou záruku. Případné záruky závazně přislíbené dovozcem zůstávají proto nedotčené.

Životní prostředí a recyklace

► Přístroje a materiály zlikvidujte po použití v souladu s platnými národními předpisy.



► Je-li na přístroji vyobrazen symbol přeškrtnuté popelnice, odevzdejte přístroj na obecní sběrná místa nebo místa zpětného odběru k opětovnému použití a recyklaci.



Tento dokument je vyroben z recyklovatelného papíru.

► Dokument zlikvidujte po skončení životního cyklu přístroje podle národních předpisů.

WSKAZÓWKI SPECJALNE

OBSŁUGA

1. Wskazówki ogólne	116
1.1 Wskazówki dotyczące bezpieczeństwa	116
1.2 Inne oznaczenia stosowane w niniejszej dokumentacji	117
1.3 Wskazówki na urządzeniu	117
1.4 Jednostki miar	117
1.5 Ilustracje	117
2. Bezpieczeństwo	117
2.1 Użytkowanie zgodne z przeznaczeniem	117
2.2 Ogólne wskazówki dotyczące bezpieczeństwa	117
2.3 Znak kontroli	118
3. Opis urządzenia	118
4. Obsługa	118
4.1 Panel obsługowy	118
4.2 Magazynowanie energii cieplnej	119
4.3 Oddawanie ciepła	120
5. Nastawy przy wbudowanym regulatorze temperatury pomieszczenia	120
5.1 Wskazanie standardowe	121
5.2 Menu podstawowe	121
5.3 Menu konfiguracyjne	121
6. Nastawy przy zamontowanym na ścianie regulatorze temperatury pomieszczenia	123
6.1 Wskazanie standardowe	123
6.2 Menu podstawowe	123
6.3 Menu konfiguracyjne	123
7. Czyszczenie i konserwacja	124
7.1 Czyszczenie sitka	124
8. Usuwanie problemów	124

INSTALACJA

9. Bezpieczeństwo	125
9.1 Ogólne wskazówki dotyczące bezpieczeństwa	125
9.2 Przepisy, normy i wymogi	125
10. Opis urządzenia	126
10.1 Zasada działania	126
10.2 Zakres dostawy	126
10.3 Osprzęt	126
11. Przygotowanie	126
11.1 Miejsce montażu	126
11.2 Minimalne odległości	127
12. Montaż	127
12.1 Otwieranie urządzenia	127
12.2 Ustawianie regulacji ładowania	127
12.3 Przyłącze sieciowe / przewody przyłączeniowe	128
12.4 Podłączenie elektryczne	128
12.5 Ustawienie na podłożu	129
12.6 Warianty montażu SHS	129
12.7 Układanie wkładów akumulujących ciepło	130
12.8 Czyszczenie urządzenia	131
12.9 Zamknięcie urządzenia	131

13. Menu konfiguracyjne	132
14. Uruchomienie	134
14.1 Kontrola przed uruchomieniem	134
14.2 Pierwsze uruchomienie	134
15. Modyfikacja urządzenia	134
16. Przekazanie	134
17. Usuwanie usterek	135
17.1 Tabela usterek	135
17.2 Symbole na tabliczce znamionowej	136
18. Konserwacja i czyszczenie	136
19. Dane techniczne	137
19.1 Wymiary i przyłącza	137
19.2 Schemat połączeń elektrycznych	139
19.3 Ograniczenie mocy przyłączeniowej przy podwyższeniu znamionowego czasu ładowania	140
19.4 Ograniczenie mocy przyłączeniowej przy zachowaniu znamionowego czasu ładowania	140
19.5 Dane dotyczące zużycia energii	141
19.6 Tabela danych	142

GWARANCJA

OCHRONA ŚRODOWISKA I RECYCLING

WSKAZÓWKI SPECJALNE

- Niniejszą instrukcję obsługi i instalacji należy starannie przechowywać, tak aby w razie potrzeby mieć do niej dostęp.
- Nie zezwalać dzieciom poniżej 3. roku życia na zbliżanie się do urządzenia, jeśli nie jest możliwy stały nadzór.
- Urządzenie może być włączane i wyłączane przez dzieci w wieku od 3 do 7 lat, jeśli odbywa się to pod nadzorem, lub dzieci zostały poinstruowane o zasadach bezpiecznego korzystania z urządzenia i zrozumiały zagrożenia wynikające z jego użytkowania. Warunkiem jest zamontowanie urządzenia zgodnie z opisem. Dzieci w wieku od 3 do 7 lat nie mogą regulować urządzenia.

- Dzieci w wieku powyżej 8 lat, osoby o obniżonej sprawności ruchowej, sensorycznej lub umysłowej, lub też osoby bez doświadczenia i odpowiedniej wiedzy mogą obsługiwać urządzenie pod nadzorem lub samodzielnie o ile zostały poinstruowane o zasadach bezpiecznego użytkowania urządzenia i rozumieją ewentualne zagrożenia.
- Urządzenie nie może być używane przez dzieci do zabawy. Czyszczenia oraz konserwacji ze strony użytkownika nie wolno powierzać dzieciom bez nadzoru.
- Elementy urządzenia mogą się mocno nagrzać i powodować poparzenia. W obecności dzieci lub osób wymagających opieki należy zachować szczególną ostrożność.
- Podczas pierwszego ładowania może wydzielać się zapach. Zadbaj o właściwą wentylację pomieszczenia.
- Zachować minimalne odległości od powierzchni sąsiadujących obiektów lub innych palnych materiałów (patrz rozdział „Instalacja / Minimalne odstęp”).
- Nie zakrywać urządzenia, aby nie doprowadzić do jego przegrzania.
- Nie odkładać żadnych przedmiotów na urządzeniu ani w jego bezpośredniej bliskości. Nie opierać żadnych przedmiotów o urządzenie.
- Nie montować urządzenia bezpośrednio pod ściennym gniazdem elektrycznym.
- Zwrócić uwagę na wartości ładowania znamionowego w rozdziale „Dane techniczne / Tabela danych”.
- Urządzenie zamontować w taki sposób, aby elementy przełączające i regulacyjne nie były dostępne dla osób przebywających w wannie lub w kabinie prysznicowej.
- Podłączenie do sieci elektrycznej dopuszczalne jest wyłącznie w formie przyłącza stałego. Urządzenie musi mieć możliwość odłączenia od sieci elektrycznej za pomocą wielobiegowego wyłącznika z rozwarciem styków wynoszącym min. 3 mm.

- Zamocować urządzenie w sposób opisany w rozdziale „Instalacja / Montaż”.
- Instalacja, uruchomienie, jak również konserwacja i naprawa urządzenia mogą być przeprowadzone wyłącznie przez wykwalifikowanego wyspecjalizowanego instalatora zgodnie z niniejszą instrukcją.
- Uszkodzona warstwa izolacji cieplnej może być przyczyną nadmiernego nagrzewania się obudowy urządzenia. W przypadku stwierdzenia uszkodzeń lub zmian na elementach izolacji termicznej należy wymienić te elementy.
- Urządzenie musi stać na równej nawierzchni, aby zapewniona była jego stabilność. Unikać nierównych powierzchni ustawienia, które mogą powstać w przypadku częściowego dochodzenia pod urządzenie wykładzin lub kafelków.

OBSŁUGA

1. Wskazówki ogólne

Rozdziały „Wskazówki specjalne” i „Obsługa” są przeznaczone dla użytkowników urządzenia i wyspecjalizowanych instalatorów.

Rozdział „Instalacja” przeznaczony jest dla wyspecjalizowanego instalatora.



Wskazówka

Przed przystąpieniem do użytkowania należy dokładnie zapoznać się z niniejszą instrukcją i zachować ją do późniejszego wykorzystania.

W przypadku przekazania produktu innemu użytkownikowi należy załączyć niniejszą instrukcję.

1.1 Wskazówki dotyczące bezpieczeństwa

1.1.1 Struktura wskazówek dotyczących bezpieczeństwa



HASŁO OSTRZEGAWCZE – rodzaj zagrożenia

W tym miejscu określone są potencjalne skutki nieprzestrzegania wskazówki dotyczącej bezpieczeństwa.

► W tym miejscu są określone środki zapobiegające zagrożeniu.

1.1.2 Symbole i rodzaje zagrożenia

Symbol	Rodzaj zagrożenia
	Obrażenia ciała
	Porażenie prądem elektrycznym
	Poparzenie (Poparzenie)

1.1.3 Hasła ostrzegawcze

HASŁO OSTRZEGAWCZE	Znaczenie
ZAGROŻENIE	Wskazówki, których nieprzestrzeganie prowadzi do ciężkich obrażeń ciała lub śmierci.
OSTRZEŻENIE	Wskazówki, których nieprzestrzeganie może prowadzić do ciężkich obrażeń ciała lub śmierci.
OSTROŻNIE	Wskazówki, których nieprzestrzeganie może prowadzić do średnich lub lekkich obrażeń ciała.

1.2 Inne oznaczenia stosowane w niniejszej dokumentacji



Wskazówka

Wskazówki ogólne są oznaczone symbolem umieszczonym obok.

► Należy dokładnie zapoznać się z treścią wskazówek.

Symbol	Znaczenie
	Szkody materialne (uszkodzenia urządzenia, szkody wtórne, szkody dla środowiska naturalnego)
	Utylizacja urządzenia

► Ten symbol informuje o konieczności wykonania jakiejś czynności. Wymagane czynności opisane są krok po kroku.

1.3 Wskazówki na urządzeniu

Symbol	Znaczenie
	Nie zakrywać urządzenia

1.4 Jednostki miar



Wskazówka

Jeśli nie określono innych jednostek, wszystkie wymiary podane są w milimetrach.

1.5 Ilustracje

Ilustracje w niniejszej dokumentacji mają charakter przykładowy i mogą różnić się od posiadanego typu urządzenia.

2. Bezpieczeństwo

2.1 Użytkowanie zgodne z przeznaczeniem

Urządzenie służy do ogrzewania pomieszczeń mieszkalnych.

Urządzenie przeznaczone jest do użytku w budownictwie mieszkaniowym. Może być bezpiecznie użytkowane przez nieprzeszkolone osoby. Urządzenie może być użytkowane również poza budownictwem mieszkaniowym, np. w budynkach gospodarczych i przemysłowych, pod warunkiem użytkowania zgodnego z przeznaczeniem.

Inne lub wykraczające poza obowiązujące ustalenia użytkowanie traktowane jest jako niezgodne z przeznaczeniem. Do użytkowania zgodnego z przeznaczeniem należy również przestrzeganie niniejszej instrukcji obsługi oraz instrukcji obsługi użytego osprzętu.

2.2 Ogólne wskazówki dotyczące bezpieczeństwa

Przestrzegać poniższych wskazówek dotyczących bezpieczeństwa i przepisów.

- Instalację elektryczną i montaż urządzenia mogą wykonywać wyłącznie wyspecjalizowani instalatorzy lub technicy naszego serwisu na podstawie niniejszej instrukcji.
- Podczas instalacji i pierwszego uruchomienia wyspecjalizowany instalator odpowiedzialny jest za przestrzeganie obowiązujących przepisów.
- Urządzenie należy użytkować wyłącznie w stanie całkowicie zmontowanym i z wszystkimi elementami zabezpieczającymi.



OSTRZEŻENIE - obrażenia ciała

- Nie zezwalać dzieciom poniżej 3. roku życia na zbliżanie się do urządzenia, jeśli nie jest możliwy stały nadzór.
- Urządzenie może być włączane i wyłączane przez dzieci w wieku od 3 do 7 lat, jeśli odbywa się to pod nadzorem, lub dzieci zostały poinstruowane o zasadach bezpiecznego korzystania z urządzenia i zrozumiały zagrożenia wynikające z jego użytkowania. Warunkiem jest zamontowanie urządzenia zgodnie z opisem. Dzieci w wieku od 3 do 7 lat nie mogą regulować urządzenia.
- Dzieci w wieku powyżej 8 lat, osoby o obniżonej sprawności ruchowej, sensorycznej lub umysłowej, lub też osoby bez doświadczenia i odpowiedniej wiedzy mogą obsługiwać urządzenie pod nadzorem lub samodzielnie o ile zostały poinstruowane o zasadach bezpiecznego użytkowania urządzenia i rozumieją ewentualne zagrożenia.
- Urządzenie nie może być używane przez dzieci do zabawy. Czyszczenia oraz konserwacji ze strony użytkownika nie wolno powierzać dzieciom bez nadzoru.

**OSTRZEŻENIE - poparzenie**

Nie korzystaj z urządzenia ...

- jeśli nie są zapewnione minimalne odległości od powierzchni sąsiednich obiektów lub innych materiałów palnych.
- w pomieszczeniach, w których zachodzi ryzyko pożaru lub wybuchu wskutek obecności chemikaliów, pyłów, gazów lub oparów. Przed użyciem urządzenia należy odpowiednio przewietrzyć pomieszczenie.
- Nie montować w bezpośredniej bliskości rur lub pojemników, przewodzących lub zawierających materiały łatwopalne albo wybuchowe.
- jeśli w miejscu ustawienia urządzenia układane są podłogi oraz odbywa się szlifowanie, lakierowanie.
- jeśli uszkodzony jest jakiś element urządzenia lub stwierdzono nieprawidłowość w jego działaniu.

**OSTRZEŻENIE - poparzenie**

- Nie odkładać palnych, łatwopalnych lub termoizolacyjnych przedmiotów ani materiałów na urządzeniu lub w jego bezpośredniej bliskości. Nie opierać żadnych przedmiotów o urządzenie. Wskutek tego może dochodzić do akumulowania się ciepła, które powoduje nadmierny wzrost temperatury powierzchni obudowy i przedmiotów.
- Zwracać uwagę, aby wlot i wylot powietrza nie był zablokowany.
- Nie umieszczać żadnych przedmiotów między urządzeniem a ścianą.

**OSTROŻNIE poparzenie**

Powierzchnie obudowy urządzenia i wyływające powietrze mogą rozgrzewać się podczas pracy do wysokich temperatur (powyżej 80°C) i spowodować poparzenia. W obecności dzieci lub osób wymagających opieki należy zachować szczególną ostrożność.

**OSTROŻNIE - przegrzanie**

Nie zakrywać urządzenia, aby nie doprowadzić do jego przegrzania.

2.3 Znak kontroli

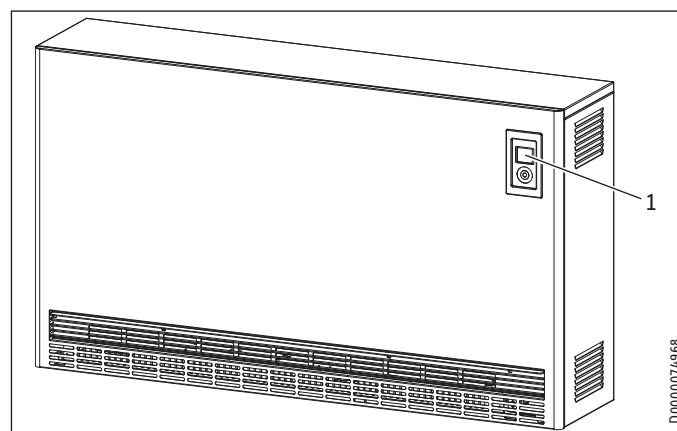
Patrz tabliczka znamionowa na urządzeniu. Tabliczka znamionowa znajduje się na lewej ścianie bocznej urządzenia.

3. Opis urządzenia

Urządzenie służy do magazynowania wytworzonej elektrycznie energii cieplnej. Energia cieplna jest wytwarzana w czasie obciążenia korzystnej cenowo niskiej taryfy.

Czas obowiązywania niskiej taryfy określa odpowiedni zakład energetyczny. Z reguły niska taryfa obowiązuje w godzinach nocnych.

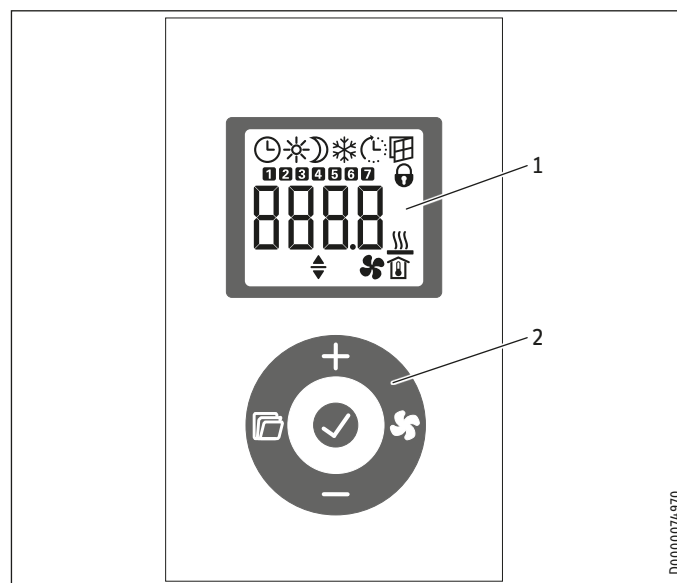
Nagromadzone ciepło jest oddawane do otoczenia odpowiednio do nastawy temperatury w formie ciepłego powietrza tłoczonego przez dmuchawę oraz w niewielkiej części także poprzez powierzchnię urządzenia.

4. Obsługa

1 Panel obsługowy

4.1 Panel obsługowy

Do obsługi służy panel obsługowy znajdujący się z przodu urządzenia, w jego prawym górnym rogu.



1 Wyświetlacz

2 Panel obsługowy

4.1.1 Panel obsługowy

Przycisk	Nazwa	Opis
	Przycisk „Dmuchawa”	Włączanie i wyłączanie aktywacji dmuchawy
	Przycisk „OK”	Wybór; zatwierdzanie nastaw
	Przycisk „Menu”	Wyświetlanie i wychodzenie z menu
	Przycisk „+”	Wybór punktów menu; zmiana nastaw
	Przycisk „-”	Wybór punktów menu; zmiana nastaw

4.1.2 Wyświetlacz

Jeśli przez 30 sekund nie nastąpi żadna reakcja ze strony użytkownika, podświetlenie wyświetlacza wyłączy się. Naciśnięcie dowolnego przycisku spowoduje ponowne włączenie podświetlenia tła.

Symbole



Wskazówka

Jeśli oddawanie ciepła (rozładowanie) regulowane jest przez regulator temperatury pomieszczenia zamontowany na ścianie, nie wszystkie symbole będą wyświetlane.

Symbol	Opis
	Wskazanie godziny: Wskazanie aktualnej godziny lub zaprogramowanej godziny rozpoczęcia Tryb programatora czasowego: Urządzenie grzeje zgodnie z włączonym programem czasowym.
	Tryb komfortowy: Urządzenie utrzymuje nastawioną temperaturę komfortową. Wartość standardowa: 21,0 °C. Ta nastawa służy do utrzymywania komfortowej temperatury pomieszczenia podczas obecności osób.
	Tryb obniżony: Urządzenie utrzymuje nastawioną temperaturę obniżoną. Wartość standardowa: 18,0 °C. Z tej nastawy należy korzystać np. nocą lub podczas nieobecności osób przez kilka godzin.
	Start adaptacyjny: W trybie programatora czasowego czasy przełączania urządzenia grzewczego są dopasowywane w taki sposób, że nastawiona temperatura zadana pomieszczenia jest osiągnięta już o zaprogramowanej godzinie rozpoczęcia. Warunek: włączona jest funkcja „Start adaptacyjny” (patrz rozdział „Nastawy przy wbudowanym regulatorze temperatury pomieszczenia / Menu podstawowe”).
	Wykrywanie otwartego okna Aby uniknąć niepotrzebnego zużycia energii podczas wietrzenia, przy otwartym oknie urządzenie automatycznie obniża nastawioną temperaturę zadana pomieszczenia na jedną godzinę do 7,0°C. Symbol „Wykrywanie otwartego okna” miga. Wykrywanie otwartego okna po wietrzeniu można ręcznie zakończyć przyciskiem „+” lub „OK”. Urządzenie znów grzeje do nastawionej temperatury zadanej pomieszczenia. Warunek: włączone jest wykrywanie otwartego okna (patrz rozdział „Nastawy przy wbudowanym regulatorze temperatury pomieszczenia / Menu podstawowe”).
	Blokada obsługi: W celu zablokowania lub odblokowania panelu obsługowego przytrzymać równocześnie przycisk „+” i „-” przez 5 sekund.
	Aktywowanie ogrzewania dodatkowego (osprzęt): Jeśli ilość ciepła w piecu nie wystarcza już do ogrzania pomieszczenia, dodatkowo pracuje ogrzewanie dodatkowe.
	Wskazanie temperatury pomieszczenia
	Uruchomienie dmuchawy aktywne: Jeśli temperatura pomieszczenia spadnie poniżej nastawionej temperatury zadanej, dmuchawa włączy się i ciepłe powietrze będzie oddawane do pomieszczenia, aż do osiągnięcia temperatury nastawionej.
	Parametr edytowalny: Wyświetlony parametr można zmieniać przyciskiem „+” i „-”.
	Dni tygodnia: 1 = poniedziałek, 2 = wtorek ... 7 = niedziela

4.2 Magazynowanie energii cieplnej

Pokrętko regulacji ładowania umożliwia nastawienie stopnia akumulacji ciepła (ładowania urządzenia).

Wybór właściwego nastawienia zależy od tego, czy stosowane urządzenie posiada centralny sterownik ładowania zależny od warunków atmosferycznych.

Sterownik ładowania zależny od warunków atmosferycznych znajduje się w szafie sterowniczej.

4.2.1 Piec akumulacyjny ze sterownikiem ładowania zależnym od warunków atmosferycznych

- ▶ Wywołać przyciskiem „Menu” osłabiacz stopnia ładowania w menu podstawowym (patrz rozdział „Nastawy przy wbudowanym regulatorze temperatury pomieszczenia / Menu podstawowe”).
- ▶ Nacisnąć przycisk „OK”. Gdy wyświetlony zostanie symbol „Parametr edytowalny”, przyciskiem „+” i „-” nastawić stopień ładowania na 100%.



Wskazówka

Jeśli oddawanie ciepła (rozładowanie) regulowane jest za pomocą regulatora temperatury pomieszczenia zamontowanego na ścianie, we wskazaniu głównym nastawić stopień ładowania przyciskiem „+” i „-”.

Sterownik ładowania zależny od warunków atmosferycznych steruje właściwym ładowaniem pieca akumulacyjnego.



Wskazówka

Należy przy tym przestrzegać instrukcji obsługi sterownika ładowania lub sterownika grupowego.

Za pomocą osłabiacza stopnia ładowania można ponadto nastawić ręcznie inny stopień ładowania dla poszczególnych urządzeń.

Jeśli stopień ładowania zostanie nastawiony na 0%, ładowanie nie będzie przeprowadzane.

4.2.2 Piec akumulacyjny bez sterownika ładowania zależnego od warunków atmosferycznych

Istnieją dwie możliwości ładowania bez sterowania ładowaniem zależnego od warunków atmosferycznych:

Regulacja ładowania za pomocą osłabiacza stopnia ładowania

Stopień ładowania nastawia się za pomocą funkcji stopnia ładowania.

- ▶ Wywołać przyciskiem „Menu” osłabiacz stopnia ładowania w menu podstawowym (patrz rozdział „Nastawy przy wbudowanym regulatorze temperatury pomieszczenia / Menu podstawowe”).
- ▶ Nacisnąć przycisk „OK”. Gdy wyświetlony zostanie symbol „Parametr edytowalny”, przyciskiem „+” i „-” nastawić stopień ładowania.



Wskazówka

Jeśli oddawanie ciepła (rozładowanie) regulowane jest za pomocą regulatora temperatury pomieszczenia zamontowanego na ścianie, we wskazaniu głównym nastawić stopień ładowania przyciskiem „+” i „-”.

Obowiązują tutaj następujące wartości orientacyjne:

Wartość	Stopień ładowania
0 %	bez ładowania (latem)
30 %	ok. 1/3 pełnego ładowania w okresach przejściowych, takich jak wiosna lub jesień
70 %	ok. 2/3 pełnego ładowania w dni łagodnej zimy
100 %	pełne ładowanie w zimne dni zimowe

Po krótkim okresie przystosowawczym i zdobyciu odpowiedniego doświadczenia znalezienie odpowiedniego nastawienia urządzenia nie sprawia już trudności.

Regulacja ładowania sterowana temperaturą pomieszczenia (C-PLUS TECHNOLOGY)

Regulacja ładowania sterowana temperaturą pomieszczenia dopasowuje automatycznie stopień ładowania do zapotrzebowania ciepła w pomieszczeniu. Wymagany stopień ładowania określany jest w zależności od temperatury pomieszczenia, pracy wentylatora i resztkowego naładowania urządzenia. Celem jest zapewnienie wystarczającej ilości ciepła na koniec dnia, tak aby utrzymać nastawioną temperaturę pomieszczenia.



Wskazówka

- Urządzenie musi być stale zasilane prądem.
- Uwolnienie ładowania może zostać dokonane za pomocą sygnału zakładu energetycznego LF (sygnał LF musi być podłączony) lub wewnętrznego zegara, zależnie od nastawy parametru P15 w menu konfiguracyjnym.
- Bez względu na wymagane jest włączenie aktywacji dmuchawy na stałe.
- Przy pierwszym uruchomieniu i przerwaniu zasilania na co najmniej 8 godzin osiągnięty poziom ładowania wynosi 60%.
- Regulacja ładowania sterowana temperaturą pomieszczenia zależy od warunków w pomieszczeniu. Promieniowanie słoneczne i niekorzystne warunki pogodowe mogą potencjalnie niekorzystnie oddziaływać na stopień ładowania.
- Określenie optymalnie dopasowanego stopnia ładowania może trwać kilka dni.
- Jeśli urządzenie przez dłuższy czas znajdowało się w trybie obniżania temperatury (np. podczas nieobecności), należy aktywować tryb komfortowy z 1-2-dniowym wyprzedzeniem.
- Jeśli oddawanie ciepła (rozładowanie) regulowane jest przez regulator temperatury pomieszczenia zamontowany na ścianie, może dojść do obniżenia komfortu. Urządzenie nie otrzymuje informacji o temperaturze pomieszczenia. Zaleca się używanie wbudowanego regulatora temperatury pomieszczenia.

Jeśli wieczorami w pomieszczeniu jest stale za ciepło, poziom energii w urządzeniu można obniżyć za pomocą osłabiacza stopnia ładowania.



Wskazówka

W przypadku regulacji ładowania sterowanego temperaturą pomieszczenia funkcja osłabiacza stopnia ładowania znacząco różni się od funkcji opisanej w rozdziale „Magazynowanie energii cieplnej / Regulacja ładowania za pomocą osłabiacza stopnia ładowania”. Ładowanie może odbywać się także przy nastawie 0%.

- ▶ Wywołać przyciskiem „Menu” osłabiacz stopnia ładowania w menu podstawowym (patrz rozdział „Nastawy przy wbudowanym regulatorze temperatury pomieszczenia / Menu podstawowe”).
- ▶ Nacisnąć przycisk „OK”. Gdy wyświetlony zostanie symbol „Parametr edytowalny”, przyciskiem „+” i „-” nastawić stopień ładowania.

Jeśli pomieszczenie nie będzie wymagać większej ilości energii grzewczej, stopień ładowania zostanie stopniowo zredukowany do zera. Dopiero gdy w pomieszczeniu ponownie będzie wymagana energia grzewcza, urządzenie rozpocznie ponowne ładowanie.

4.3 Oddawanie ciepła

Oddawanie ciepła (rozładowanie) jest regulowane przez regulator temperatury pomieszczenia wbudowany w urządzenie lub 2-punktowy regulator temperatury pomieszczenia zamontowany na ścianie (patrz rozdział „Osprzęt”).

Regulator temperatury pomieszczenia reguluje automatycznie proces oddawania ciepła poprzez dmuchawę, aby w pomieszczeniu utrzymać nastawioną temperaturę zadaną pomieszczenia. Aby dmuchawa mogła pracować, włączone musi być uruchomienie dmuchawy.



Wskazówka

W przypadku kilkudniowej nieobecności w sezonie grzewczym sensowne jest nastawienie obniżonej temperatury pomieszczenia, np. 10°C. Pozwoli to na uniknięcie zbyt silnego wychłodzenia pomieszczenia (ochrona przed zamarzaniem).

4.3.1 Włączanie i wyłączenie aktywacji dmuchawy

- ▶ Aby włączyć i wyłączyć uruchomienie dmuchawy, nacisnąć przycisk „Dmuchawa”. Przy włączonym uruchomieniu dmuchawy we wskazaniu pokazywany jest „symbol dmuchawy”.



Wskazówka

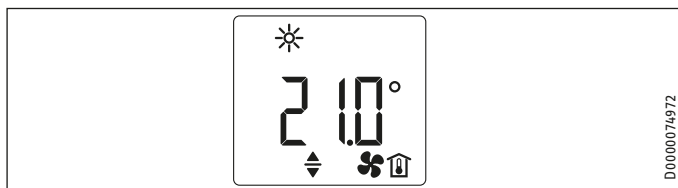
W przypadku regulacji ładowania sterowanej temperaturą pomieszczenia zawsze musi być włączona aktywacja dmuchawy.

5. Nastawy przy wbudowanym regulatorze temperatury pomieszczenia

Wszystkie nastawy pozostają zachowane w przypadku przerwania napięcia. Rezerwa chodu urządzenia pozwala utrzymać dzień tygodnia i godzinę przez kilka godzin.

**Wskazówka**

Jeśli napięcie było przerwane przez czas dłuższy niż 8 godzin, konieczne będzie następnie ustawienie dnia tygodnia i godziny. Na wskazaniu będzie migać „- :- -”. W przypadku aktywowanej blokady obsługi w celu odblokowania panelu obsługowego należy przytrzymać przez 5 sekund wciśnięte jednocześnie przyciski „+” i „-”.

5.1 Wskazanie standardowe

Wskazanie standardowe jest wyświetlane na stałe. Jeśli wyświetlone jest menu i przez 30 sekund nie zostanie wykonana żadna czynność obsługowa, urządzenie automatycznie przejdzie do wskazania standardowego.

We wskazaniu standardowym wyświetlana jest aktualna temperatura zadana pomieszczenia oraz symbol „Parametr edytowalny”. Przyciskiem „+” i „-” można zmienić temperaturę zadaną pomieszczenia.

Jeśli nastawiona temperatura zadana pomieszczenia odpowiada jednej z nastawionych wartości temperatury komfortowej lub obniżenia, na pasku menu wyświetlany jest symbol odpowiedniego trybu pracy (temperatura komfortowa, tryb obniżony).

Temperaturę zadaną pomieszczenia można zmieniać również ręcznie, w trybie programatora czasowego. Zmieniona temperatura zadana pomieszczenia pozostanie zachowana do następnego zaprogramowanego czasu przełączenia.

5.2 Menu podstawowe

Aby przejść do menu podstawowego, naciśnięć krótko przycisk „Menu”. Teraz można wyświetlić następujące punkty menu:

Wyświetlacz	Opis
	Nastawianie stopnia ładowania. Dla dni, w które jest mniejsze zapotrzebowanie ciepła, można ręcznie dostosować stopień ładowania w krokach co 10%.
	Nastawianie dnia tygodnia i godziny Dni tygodnia: 1 = poniedziałek do 7 = niedziela
	Nastawianie temperatury komfortowej Nastawiona temperatura komfortowa musi być przynajmniej o 0,5°C wyższa od temperatury obniżonej.
	Nastawianie temperatury obniżonej Nastawiona temperatura obniżona musi być przynajmniej o 0,5°C niższa od temperatury komfortowej.
	Włączanie i wyłączanie funkcji „Wykrywanie otwartego okna”

Wyświetlacz	Opis
	Wybór programu czasowego (Pro1, Pro2, Pro3) lub jego wyłączenie (off)
	Włączanie i wyłączanie funkcji „Start adaptacyjny”
	Włączanie i wyłączanie ogrzewania dodatkowego (osprzęt) Wskazanie tylko przy zainstalowanym i aktywowanym ogrzewaniu dodatkowym.

Aby zmienić nastawę punktu menu, wyświetlić odpowiedni punkt menu przyciskiem „+” i „-”. Naciśnięć przycisk „OK”.

Gdy wyświetlony zostanie symbol „Parametr edytowalny”, przyciskiem „+” i „-” można zmienić nastawę punktu menu. Aby zapisać nastawy, naciśnięć przycisk „OK”.

Aby wyjść z menu podstawowego, naciśnięć przycisk „Menu”. Wyświetlone zostanie wskazanie standardowe.

5.3 Menu konfiguracyjne

Wyświetlacz	Opis
I1-I2	Wartości rzeczywiste
Pro1-Pro3	Programy czasowe
P1-P5	Parametry
CodE	Dostęp dla wyspecjalizowanego instalatora

W menu konfiguracyjnym można wyświetlać wartości rzeczywiste, programować programy czasowe dla trybu programatora czasowego i nastawiać parametry.

Aby przejść do menu konfiguracyjnego, przytrzymać przycisk „Menu”. Po ok. 3 sekundach wyświetlana jest wartość rzeczywista I1.

Przyciskiem „+” i „-” można przechodzić między poszczególnymi wartościami rzeczywistymi, programami czasowymi i parametrami.

Aby wyjść z menu konfiguracyjnego, naciśnięć przycisk „Menu”. Wyświetlone zostanie wskazanie standardowe.

5.3.1 Wartości rzeczywiste

Można wyświetlić następujące wartości rzeczywiste:

Wyświetlacz	Opis	Jednostka
I1	Rzeczywista temperatura pomieszczenia	[°C] [°F]
I2	Względny czas grzania (Za pomocą parametru P5 można wyzerować licznik.)	[h]

**Wskazówka**

Licznik względnego czasu grzania (I2) zlicza czas ładowania w pełnych godzinach. Jeśli urządzenie było ładowane przez pełną godzinę, również w sposób przerywany, zwiększana jest wartość licznika.

5.3.2 Programy czasowe

W celu korzystania z urządzenia w trybie programatora czasowego dostępne są trzy programy czasowe. Programy czasowe Pro1 i Pro2 są fabrycznie skonfigurowane. Program czasowy Pro3 można nastawić zgodnie z indywidualnymi potrzebami.

Wyświetlacz	Opis
Pro1	Program czasowy „codziennie” - powtarzanie: od poniedziałku do niedzieli
Pro2	Program czasowy „dni robocze” - powtarzanie: od poniedziałku do piątku
Pro3	Program czasowy „zdefiniowany przez użytkownika” - do 14 faz komfortowych z możliwością dowolnej konfiguracji



Wskazówka

Chcąc korzystać z trybu programatora czasowego, w menu podstawowym należy wybrać żądany program czasowy (patrz rozdział „Nastawy przy wbudowanym regulatorze temperatury pomieszczenia / Menu podstawowe”).



Wskazówka

Przy nastawianiu programów czasowych należy zwrócić uwagę, aby dzień tygodnia i godzina były prawidłowo nastawione.



Wskazówka

Zasada obowiązująca dla wszystkich programów czasowych (Pro1, Pro2, Pro3):
Jeśli godzina zakończenia przekracza godzinę 23:59, godzina zakończenia zostanie automatycznie przesunięta na następny dzień tygodnia. Faza komfortowa jest utrzymywana przez północ i kończy się następnego dnia o nastawionej godzinie zakończenia.

Program czasowy Pro1 i Pro2

Program czasowy Pro1 i Pro2 pozwala na określenie godziny rozpoczęcia i zakończenia trybu komfortowego. W tym przedziale czasu urządzenie grzeje do nastawionej temperatury komfortowej. Poza tym okresem czasu urządzenie pracuje w trybie obniżonym. Z takiego układu wynika faza komfortowa i obniżona, która powtarza się codziennie (Pro1) bądź każdego dnia roboczego (Pro2).

Te fazy skonfigurowane są fabrycznie w następujący sposób:

- godz. 08:00 – godz. 22:00: Tryb komfortowy
- godz. 22:00 – godz. 08:00: Tryb obniżony



Wskazówka

Przy aktywowanym programie czasowym Pro2 urządzenie pracuje w weekend wyłącznie w trybie obniżonym.

Aby dopasować programy czasowe Pro1 i Pro2 do własnych potrzeb, należy postępować następująco:

- ▶ W menu konfiguracyjnym wybrać przyciskiem „+” i „-” żądany program czasowy.
- ▶ Nacisnąć przycisk „OK”.
Wyświetlona zostanie godzina rozpoczęcia trybu komfortowego.
- ▶ Nastawić żądaną godzinę rozpoczęcia przyciskiem „+” i „-”.

- ▶ Nacisnąć przycisk „OK”.
Wyświetlona zostanie godzina zakończenia trybu komfortowego.
- ▶ Nastawić żądaną godzinę zakończenia przyciskiem „+” i „-”.
- ▶ W celu zatwierdzenia nacisnąć przycisk „OK”.

Program czasowy Pro3

Z pomocą programu czasowego Pro3 można określić do 14 oddzielnych faz komfortowych, które powtarzają się co tydzień.

Aby skonfigurować fazę komfortową w programie czasowym Pro3, postępować następująco:

- ▶ W menu konfiguracyjnym wybrać przyciskiem „+” i „-” żądany program czasowy Pro3.
- ▶ Nacisnąć przycisk „OK”.
Na ekranie widoczne jest wskazanie „3---”.
- ▶ Nacisnąć przycisk „OK”.
Wyświetlony zostanie dzień tygodnia bądź grupa dni tygodnia.
- ▶ Nastawić przyciskiem „+” i „-” żądany dzień tygodnia bądź żądaną grupę dni tygodnia.
- ▶ Nacisnąć przycisk „OK”.
Wyświetlona zostanie godzina rozpoczęcia trybu komfortowego.
- ▶ Nastawić żądaną godzinę rozpoczęcia przyciskiem „+” i „-”.
- ▶ Nacisnąć przycisk „OK”.
Wyświetlona zostanie godzina zakończenia trybu komfortowego.
- ▶ Nastawić żądaną godzinę zakończenia przyciskiem „+” i „-”.
- ▶ Nacisnąć przycisk „OK”.
Faza komfortowa „3-01” jest skonfigurowana.
- ▶ Aby skonfigurować kolejną fazę komfortową, wybrać w programie czasowym Pro3 wskazanie „3---” przyciskiem „+” i „-”. Postępować zgodnie z opisem.



Wskazówka

Zaprogramowane fazy komfortowe można zresetować, uaktywniając parametr P4.

- ▶ Uaktywnienie parametru P4 skutkuje przywróceniem nastawy fabrycznej wszystkich programów czasowych (Pro1, Pro2, Pro3).

5.3.3 Parametry

Można wyświetlić następujące parametry:

Wyświetlacz	Opis	Opcje
P1	Margines temperatury pomieszczenia	±3 °C ±5 °F
P2	Format godziny	12 h 24 h
P3	Jednostka wskazania temperatury	°C °F
P4	Reset programów czasowych (tryb programatora czasowego)	on off
P5	Reset względnego czasu grzania	on off

Aby zmienić wartość parametru, wybrać odpowiedni parametr przyciskiem „+” i „-”. Nacisnąć przycisk „OK”.

Gdy wyświetlony zostanie symbol „Parametr edytowalny”, przyciskiem „+” i „-” można zmienić wartość parametru. Aby zapisać nastawioną wartość, nacisnąć przycisk „OK”.

P1: Margines temperatury pomieszczenia

Nierównomierny rozkład temperatury w pomieszczeniu może prowadzić do różnicy między wyświetlaną temperaturą rzeczywistą I1, a temperaturą pomieszczenia zmierzoną przez użytkownika. Aby wyrównać tę różnicę, za pomocą parametru P1 można nastawić tolerancję temperatury pomieszczenia równy ± 3 °C.

Przykład: Urządzenie wskazuje I1 = 21,0 °C. Temperatura zmierzona przez użytkownika wynosi 20,0 °C. Występuje różnica 1,0 °C.

► Aby wyrównać różnicę, należy nastawić tolerancję P1 = -1,0.

P2: Format godziny

Parametr P2 pozwala określić, czy godzina wyświetlana będzie w formacie 12-godzinnym, czy też 24-godzinnym.

P3: Jednostka wskazania temperatury

Za pomocą parametru P3 można określić, czy temperatura będzie wyświetlana w stopniach Celsjusza [°C], czy też w stopniach Fahrenheita [°F].

P4: Reset programów czasowych

Aktywacja parametru P4 powoduje przywrócenie nastaw fabrycznych wszystkich programów czasowych.

P5: Reset względnego czasu grzania

Poprzez aktywację parametru P5 resetuje się licznik względnego czasu grzania (I2).

5.3.4 Dostęp dla wyspecjalizowanego instalatora

Wyświetlacz	Opis
CodE	Dostęp dla wyspecjalizowanego instalatora



Wskazówka

Niektóre punkty menu zabezpieczone są kodem i tylko wyspecjalizowany instalator może przeglądać je i nastawiać.

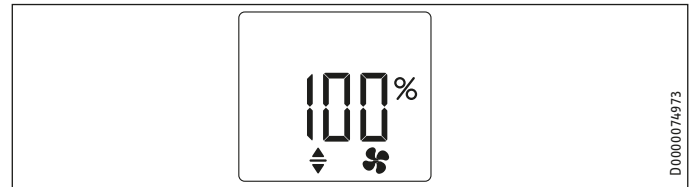
6. Nastawy przy zamontowanym na ścianie regulatorze temperatury pomieszczenia



Wskazówka

Jeśli oddawanie ciepła (rozładowanie) jest regulowane przez regulator temperatury pomieszczenia zamontowany na ścianie, w urządzeniu dostępne są tylko bardzo ograniczone możliwości nastaw.

6.1 Wskazanie standardowe



Wskazanie standardowe jest wyświetlane na stałe. Jeśli wyświetlone jest menu i przez 30 sekund nie zostanie wykonana żadna czynność obsługowa, urządzenie automatycznie przejdzie do wskazania standardowego.

We wskazaniu standardowym wyświetlana jest aktualna nastawa stopnia ładowania oraz symbol „Parametr edytowalny”. Za pomocą przycisku „+” i „-” można ręcznie dostosować stopień ładowania w krokach co 10% dla dni, w których występuje mniejsze zapotrzebowanie ciepła.

6.2 Menu podstawowe



Wskazówka

Menu podstawowe można wyświetlić tylko wtedy, gdy urządzenie jest wyposażone w ogrzewanie dodatkowe (osprzęt).

Aby przejść do menu podstawowego, nacisnąć krótko przycisk „Menu”.

Wyświetlacz	Opis
OFF	Włączanie i wyłączenie ogrzewania dodatkowego (osprzęt). Również w przypadku regulatora temperatury pomieszczenia zamontowanego na ścianie z przełącznikiem ogrzewania dodatkowego ogrzewanie dodatkowe musi być włączone w menu podstawowym.

Chcąc zmienić nastawę punktu menu, nacisnąć przycisk „OK”.

Gdy wyświetlony zostanie symbol „Parametr edytowalny”, przyciskiem „+” i „-” można zmienić nastawę punktu menu. Aby zatwierdzić nastawę, nacisnąć przycisk „OK”.

Aby wyjść z menu podstawowego, nacisnąć przycisk „Menu”. Wyświetlone zostanie wskazanie standardowe.

6.3 Menu konfiguracyjne

Wyświetlacz	Opis
I2	Wartość rzeczywista
P5	Parametry
CodE	Dostęp dla wyspecjalizowanego instalatora

Aby przejść do menu konfiguracyjnego, przytrzymać przycisk „Menu”. Po ok. 3 sekundach wyświetlana jest wartość rzeczywista I2.

Przyciskiem „+” i „-” można przechodzić między wartością rzeczywistą a parametrem.

Aby wyjść z menu konfiguracyjnego, nacisnąć przycisk „Menu”. Wyświetlone zostanie wskazanie standardowe.

6.3.1 Wartość rzeczywista

Wyświetlacz	Opis	Jednostka
I2	Względny czas grzania (Za pomocą parametru P5 można wyzerować licznik.)	[h]

**Wskazówka**

Licznik względnego czasu grzania (I2) zlicza czas ładowania w pełnych godzinach. Jeśli urządzenie było ładowane przez pełną godzinę, również w sposób przerywany, zwiększana jest wartość licznika.

6.3.2 Parametry

Wyświetlacz	Opis	Opcje
P5	Resetowanie względnego czasu grzania Poprzez aktywację parametru resetuje się licznik względnego czasu grzania (I2).	on off

Chcąc zmienić nastawę parametru, nacisnąć przycisk „OK”.

Gdy wyświetlony zostanie symbol „Parametr edytowalny”, przyciskiem „+” i „-” można zmienić nastawę parametru. Aby zatwierdzić nastawę, nacisnąć przycisk „OK”.

6.3.3 Dostęp dla wyspecjalizowanego instalatora

Wyświetlacz	Opis
CodE	Dostęp dla wyspecjalizowanego instalatora

**Wskazówka**

Niektóre punkty menu zabezpieczone są kodem i tylko wyspecjalizowany instalator może przeglądać je i nastawiać.

7. Czyszczenie i konserwacja

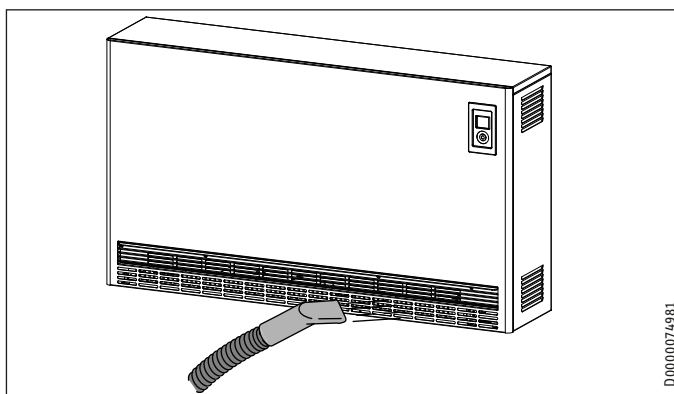
**Szkody materialne**

- Do otworu wentylacyjnego nie przyskać środków czyszczących w aerozolu.
- Uważać, aby do urządzenia nie przedostała się wilgoć.
- Jeżeli na obudowie urządzenia wystąpią nieznaczne brązowe przebarwienia, należy je zetrzeć wilgotną ściereczką.
- Urządzenie należy czyścić, gdy jest schłodzone, przy użyciu standardowych środków czyszczących. Unikać żrących środków czyszczących o właściwościach szorujących.

7.1 Czyszczenie sitka

**Wskazówka**

W regularnych odstępach należy czyścić sitko zamontowane za wlotem powietrza. Zapewni to płynne oddawanie ciepła przez urządzenie. Gdy sitko jest zapchane, dmuchawy należy wyłączyć. Należy wyłączyć dmuchawy.



- Sitko zamontowane za wlotem powietrza czyścić odkurzaczem.

8. Usuwanie problemów

Problem	Przyczyna	Usuwanie
Urządzenie nie rozgrzewa się.	Nie ustawiono poziomu ładowania lub wybrano za niski poziom ładowania. Brak zasilania energią elektryczną.	Nastawić wyższy stopień ładowania. Sprawdź bezpiecznik i wyłącznik różnicowoprądowy w instalacji domowej.
W przypadku regulacji ładowania sterowanej temperaturą pomieszczenia urządzenie nie nagrzewa się.	W urządzeniu nastawiona jest za niska temperatura.	Sprawdzić nastawioną temperaturę pomieszczenia. W razie potrzeby wyregulować.
Pomieszczenie nie jest dostatecznie ogrzewane, mimo że urządzenie nagrzewa się.	Uruchomienie dmuchawy jest wyłączone. Przegrzanie. Ogranicznik temperatury bezpieczeństwa ogranicza moc grzewczą.	Włączyć uruchomienie dmuchawy. Usunąć przyczynę (brud lub przeszkody we wlocie lub wylocie powietrza). Zwrócić uwagę na minimalne odległości!
	W urządzeniu nastawiona jest za niska temperatura.	Sprawdzić nastawioną temperaturę pomieszczenia. W razie potrzeby wyregulować.
	Uruchomienie dmuchawy jest wyłączone. Zapotrzebowanie pomieszczenia na ciepło przekracza moc urządzenia.	Włączyć uruchomienie dmuchawy. Zlikwidować straty ciepła (Zamknąć okna i drzwi. Unikać ciągłego wietrzeżenia.)
Urządzenie oddaje zbyt dużo energii cieplnej również podczas niezbyt chłodnych dni.	Niewłaściwe nastawienie sterownika ładowania lub/i niewłaściwy regulator ładowania.	Zmodyfikuj nastawy.
W pomieszczeniu jest za ciepło.	W urządzeniu nastawiona jest za wysoka temperatura.	Sprawdzić nastawioną temperaturę pomieszczenia. W razie potrzeby wyregulować.

Problem	Przyczyna	Usuwanie
W przypadku regulacji ładowania sterowanej temperaturą pomieszczenia pomieszczenie jest wieczorami stale nagrzane zbyt mocno.	Poziom energii w urządzeniu jest za wysoki.	Obniżyć poziom energii w urządzeniu za pomocą osłabiacza stopnia ładowania.
Urządzenie nie oddaje ciepła.	Sitko jest zapchane.	Patrz rozdział „Czyszczenie i konserwacja”.
Funkcja wykrywania otwartego okna nie reaguje.	Urządzenie nie wykrywa znacznego spadku temperatury wskutek wietrzeń. (Funkcja wykrywania otwartego okna zakłada wcześniejszą stabilną temperaturę pomieszczenia.)	Po wprowadzeniu nastaw w urządzeniu odczekać przez chwilę, aż temperatura pomieszczenia całkowicie się ustabilizuje. Unikać przeszkód w wymianie powietrza między urządzeniem a powietrzem w pomieszczeniu. Zablokować dmuchawę na czas wietrzeń.
Funkcja „Start adaptacyjny” nie działa zgodnie z oczekiwaniami.	Funkcja jest skuteczna tylko w trybie programatora czasowego.	Włączyć w menu podstawowym funkcję wykrywania otwartego okna. Korzystać z trybu programatora czasowego, aby uzyskać optymalny komfort grzewczy.
	Temperatura pomieszczenia znacznie się waha bądź proces programowania urządzenia nie jest zakończony.	Odczekać kilka dni, aż reakcja ustabilizuje się.
	Funkcja „Start adaptacyjny” nie jest uaktywniona.	Włączyć w menu podstawowym funkcję „Start adaptacyjny”.
Na ekranie widoczne jest wskazanie „E1”, „E2” lub „E3”.	Wykryto błąd wewnętrzny.	Powiadomić wyspecjalizowanego instalatora.



Wskazówka

Efekty zmiany nastaw lub usunięć w sterowniku ładowania są widoczne dopiero przy kolejnym procesie ładowania.

Jeśli nie można usunąć przyczyny usterki, należy wezwać wyspecjalizowanego instalatora. W celu usprawnienia i przyspieszenia pomocy należy podać numer urządzenia z tabliczki znamionowej (000000-0000-000000).

INSTALACJA

9. Bezpieczeństwo

Instalacja, uruchomienie, jak również konserwacja i naprawa urządzenia mogą być wykonane wyłącznie przez wyspecjalizowanego instalatora.



OSTRZEŻENIE - porażenie prądem elektrycznym
Naklejka ostrzeżenia „Achtung - Fernsteuerung! [Uwaga - zdalne sterowanie!]” na kątowniku blaszanym sieciowego zacisku przyłączeniowego musi zostać przeniesiona wraz z dołączonymi naklejkami ostrzeżenia w lokalnym języku.

9.1 Ogólne wskazówki dotyczące bezpieczeństwa

Producent zapewnia prawidłowe działanie i bezpieczeństwo eksploatacji tylko w przypadku stosowania oryginalnego osprzętu, przeznaczonego do tego urządzenia, oraz oryginalnych części zamiennych.

9.2 Przepisy, normy i wymagania



OSTRZEŻENIE - porażenie prądem elektrycznym
Wszystkie elektryczne prace przyłączeniowe i instalacyjne należy wykonywać zgodnie z przepisami.



OSTRZEŻENIE - porażenie prądem elektrycznym
Podłączenie do sieci elektrycznej dopuszczalne jest wyłącznie w formie przyłącza stałego. Urządzenie musi mieć możliwość odłączania od sieci elektrycznej za pomocą wielobiegunowego wyłącznika z rozwarciem styków wynoszącym min. 3 mm.



Szkody materialne
Zwrócić uwagę na treść tabliczki znamionowej. Podane napięcie musi być zgodne z napięciem sieciowym. Wyposażenie należy dostosować do poboru znamionowego urządzenia.



Szkody materialne
Urządzenie należy przymocować stabilnie na ścianie lub podłodze.



Szkody materialne

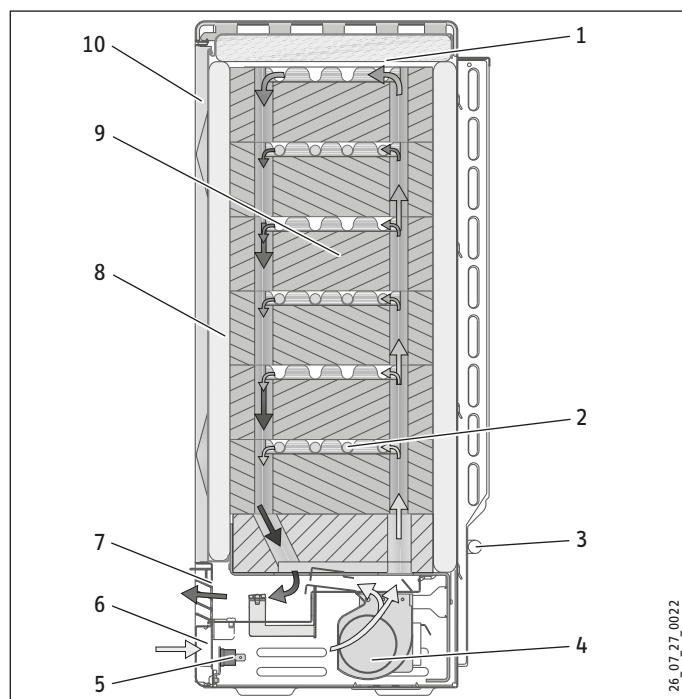
- Nie montować urządzenia bezpośrednio pod gniazdem elektrycznym.
- Zwrócić uwagę na to, aby przewód przyłączeniowy nie stykał się z żadnymi elementami urządzenia.



Wskazówka

Należy przestrzegać krajowych i lokalnych przepisów oraz wymogów.

10. Opis urządzenia



- 1 Osłona blaszana
- 2 Grzałka
- 3 Czujnik temperatury pomieszczenia
- 4 Dmuchawa (M1)
- 5 Regulator temperatury (N5)
- 6 Wlot powietrza
- 7 Wylot powietrza
- 8 Izolacja
- 9 Wkłady akumulujące ciepło
- 10 Ściana przednia i wewnętrzna ściana przednia

10.1 Zasada działania

Wkłady akumulujące ciepło są ogrzewane za pomocą umieszczonych pomiędzy nimi grzałek. Proces ładowania można regulować pokrętkiem regulacji. Godzinę rozpoczęcia oraz czas trwania ładowania określa właściwy zakład energetyczny.

Dwa wbudowane ochronne regulatory temperatury i ogranicznik temperatury bezpieczeństwa zabezpieczają urządzenie przed przegrzaniem. Po usunięciu usterki ochronne regulatory temperatury włączają się samoczynnie, natomiast ogranicznik temperatury bezpieczeństwa należy włączyć ręcznie, naciskając przycisk umieszczony pośrodku ogranicznika.

Nagromadzona energia cieplna jest oddawana do pomieszczenia za pomocą dmuchawy, a częściowo także przez powierzchnię urządzenia. W tym celu dmuchawa zasysa powietrze przez otwór wlotu powietrza, przetłacza je przez kanały powietrzne wkładów akumulujących ciepło, podgrzewając je przy tym.

Przed wylotem na zewnątrz przez kratkę wylotową podgrzane powietrze jest mieszane przy użyciu dwóch klap powietrza z chłodniejszym powietrzem z pomieszczenia, aby temperatura wypływającego powietrza nie przekroczyła maksymalnej wartości. Nastawianiem klapy powietrza, a tym samym proporcją mieszania powietrza steruje regulator bimetaliczny.

10.2 Zakres dostawy

Z urządzeniem dostarczane są:

- Wkłady akumulujące ciepło
- 2 mocowania ściennie tylko w SHS

10.3 Osprzęt

- 2-punktowy regulator temperatury pokojowej (regulator rozładowania)
- Ogrzewanie dodatkowe
- Zestaw montażowy DC Control Input (sygnał sterujący DC)
- Zestaw montażowy do przyłącza jednofazowego
- Dwuobiegowy zestaw montażowy ZK*
- Wsporniki Vario
- Wspornik*

* tylko dla SHS

11. Przygotowanie



Wskazówka

Do zacisków L i N listwy zaciskowej X2 doprowadzone musi być napięcie ciągłe.



Wskazówka

W przypadku podłączania pieca akumulacyjnego do automatycznego sterownika ładowania sterownik ładowania do elektronicznych regulatorów ładowania musi być nastawiony bez korekty napięcia.

11.1 Miejsce montażu



OSTRZEŻENIE - poparzenie

- Ściana, przy której urządzenie ma być zamontowane, musi posiadać odporność termiczną wynoszącą min. 85 °C, a posadzka 80 °C.
- Zachować minimalne odległości od sąsiednich powierzchni obiektów.



Wskazówka

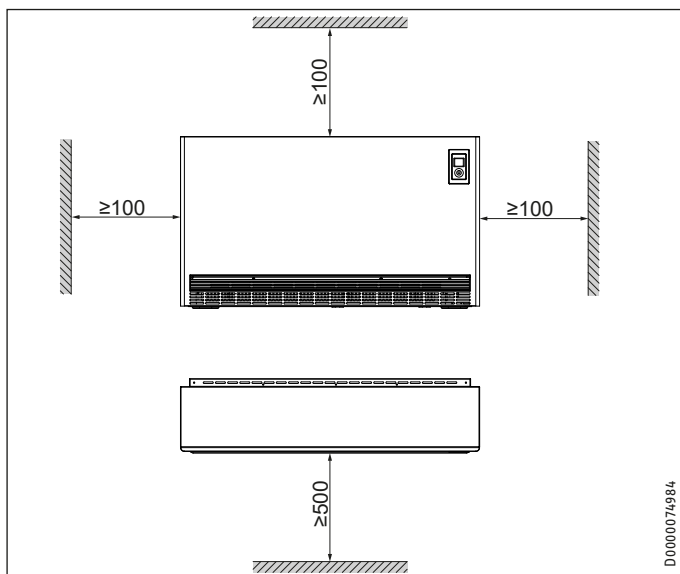
Jeśli piec akumulacyjny zostanie ustawiony w pomieszczeniach, w których występują spaliny, opary oleju lub benzyny itd. lub w których podczas prac wykorzystywane są rozpuszczalniki i środki chemiczne, wskutek eksploatacji urządzenia przez dłuższy czas może utrzymywać się nieprzyjemny zapach, jak również może dojść do zanieczyszczenia urządzenia.



Szkody materialne

Piec akumulacyjny musi być ustawiony w jednej płaszczyźnie ze ścianą.

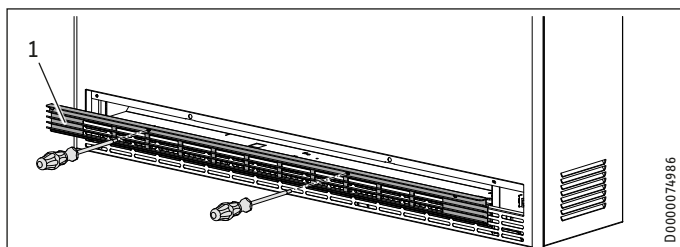
11.2 Minimalne odległości



- ▶ Należy zapewnić płynną wymianę energii cieplnej między urządzeniem a otoczeniem.

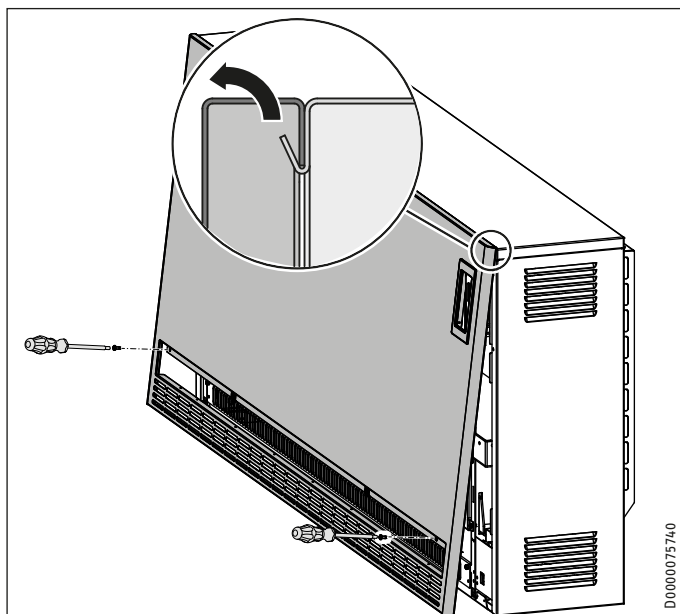
12. Montaż

12.1 Otwieranie urządzenia

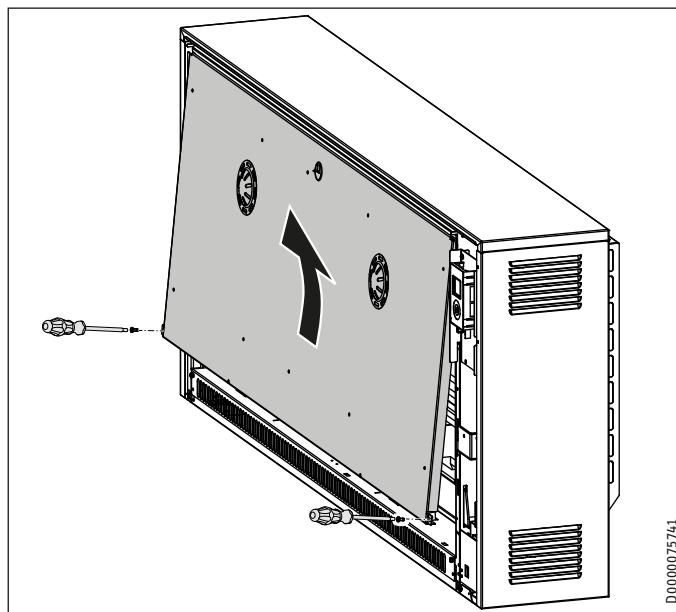


1 Kratka wylotu powietrza

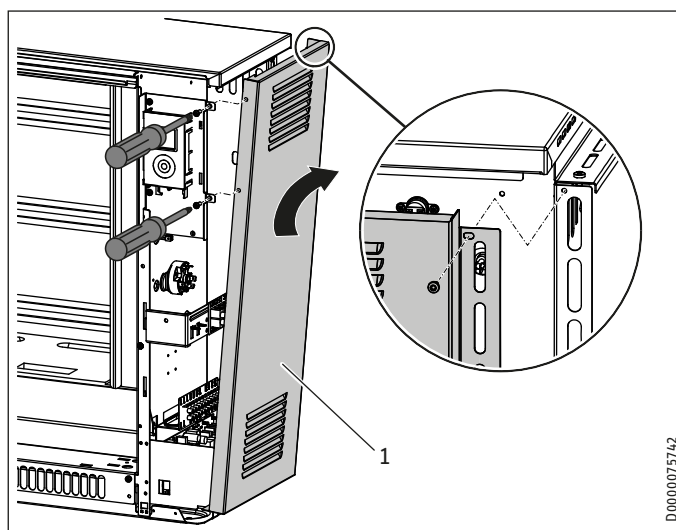
- ▶ Poluzować oba zamknięcia obrotowe 1/4 kratki wylotu powietrza i zdjąć kratkę.



- ▶ Odkręcić śruby ściany przedniej.
- ▶ Pociągnąć ścianę przednią do przodu i zdjąć ją.



- ▶ Odkręć wkręty mocujące wewnętrzną przednią ściankę znajdujące się w dolnym zagięciu.
- ▶ Pociągnąć wewnętrzną ścianę przednią do przodu i zdjąć ją.



1 Prawa boczna ścianka (po odkręceniu wkrętów)

- ▶ Poluzować 3 śruby z przodu i z tyłu przy prawej ścianie bocznej.
- ▶ Pociągnąć ścianę boczną nieco do przodu i przechylić ją u góry na bok.
- ▶ Unieść lekko ścianę boczną i zdjąć ją.

12.2 Ustawianie regulacji ładowania



Wskazówka

Należy przestrzegać poniższych wskazówek. W zależności od miejsca i sposobu montażu wykonanie ustawień po montażu może się okazać utrudnione.

12.2.1 Ograniczenie mocy przyłączeniowej

Fabrycznie przyłączy urządzenia jest okablowane na podłączenie mocy maksymalnej (100%).

Poprzez zmianę położenia lub usunięcie mostków na zaciskach przyłączeniowych moc przyłączeniową można zmniejszyć o trzy stopnie mocy (patrz rozdział „Dane techniczne / Ograniczenie mocy przyłączeniowej”).

Przy doborze średnicy przewodów i zabezpieczeń należy uwzględnić maksymalną moc urządzenia.



Wskazówka

Przestrzegać przepisów właściwego zakładu energetycznego.

12.2.2 Dopasowanie mocy przy wydłużonym znamionowym czasie ładowania

Poprzez przełożenie lub usunięcie mostków z zacisków przyłączeniowych moc przyłączeniową można dopasować do określonego przez zakład energetyczny znamionowego czasu ładowania. Fabrycznie piec akumulacyjny jest nastawiony na następujący znamionowy czas ładowania:

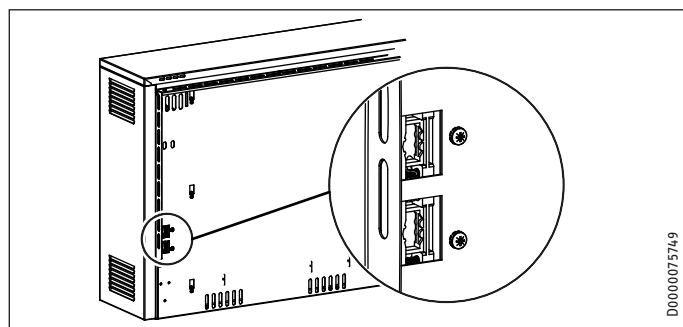
- 8 godzin SHF | SHS
- 7 godzin SHL

Należy przy tym przestrzegać wskazówek zawartych w rozdziale „Dane techniczne - Dopasowanie mocy”.

12.2.3 Podłączenie do stałonapięciowego sygnału sterującego

Jeśli w instalacji zamontowany jest sterownik ładowania z sygnałem sterującym (napięcie stałe 0,91 V – 1,43 V), niezbędny jest zestaw montażowy DC Control Input (osprzęt). Sygnał sterujący DC musi zostać doprowadzony do zacisków A1/Z1 „DC + (biegun dodatni)” i A2/Z2 „DC - (biegun ujemny)” na listwie zaciskowej X3. Zwrócić uwagę na biegunowość.

12.3 Przyłączy sieciowe / przewody przyłączeniowe



D0000075749



OSTRZEŻENIE - porażenie prądem elektrycznym

- ▶ Przed wykonywaniem jakichkolwiek czynności w urządzeniu należy odłączyć od napięcia przewody przyłączeniowe w skrzynce rozdzielczej.

- ▶ Przeprowadzić sieciowe i pozostałe przewody przyłączeniowe regulatora ładowania i rozładowania przez otwory znajdujące się w ścianie tylnej urządzenia, po czym podłączyć je (patrz rozdział „Dane techniczne / Schemat połączeń”).
- ▶ Zastosować przewody przyłączeniowe o długości ok. 260 mm, a w razie potrzeby je odpowiednio skrócić. Przewody nie mogą przylegać do otworów wentylacyjnych w ścianie bocznej.

12.4 Podłączenie elektryczne

12.4.1 Informacje ogólne



OSTRZEŻENIE - porażenie prądem elektrycznym

W przypadku podłączenia pieca akumulacyjnego do automatycznego sterownika ładowania na zaciskach „A1/Z1” i „A2/Z2” może występować napięcie, także przy wyjętych bezpiecznikach.



OSTRZEŻENIE - porażenie prądem elektrycznym

Naklejka ostrzeżenia „Achtung - Fernsteuerung! [Uwaga - zdalne sterowanie!]” na kątowniku blaszanym sieciowego zacisku przyłączeniowego musi zostać przeniesiona wraz z dołączonymi naklejkami ostrzeżenia w lokalnym języku.

Grzałki należy podłączyć do sieci elektrycznej o napięciu 400 V (3/N/PE). Za pomocą zestawu montażowego do podłączenia jednofazowego (wyposażenie dodatkowe) możliwe jest również podłączenie do sieci o napięciu 230 V (1/N/PE).

Można również wykonać przyłączy przewodem NYM. Ilość przewodów zasilających i żył oraz ich przekroje zależą od mocy przyłączeniowej urządzenia, rodzaju przyłączy i stosownych przepisów zakładu energetycznego.

Zwrócić uwagę na schemat połączeń elektrycznych i stopnie mocy (patrz rozdział „Dane techniczne”).

12.4.2 Podłączenie urządzenia



OSTRZEŻENIE - porażenie prądem elektrycznym

Należy zapewnić właściwe przyłączenie przewodu ochronnego.



OSTRZEŻENIE - porażenie prądem elektrycznym

Przewody przyłączeniowe nie mogą zostać uszkodzone, odłączone lub wyjęte z urządzenia.
▶ Przewody przyłączeniowe należy odpowiednio ułożyć.



Wskazówka

Do zacisków L i N listwy zaciskowej X2 doprowadzone musi być napięcie ciągłe.

- ▶ Zastosować zabezpieczenie przed wyrwaniem przewodów przyłączeniowych i podłączyć je do urządzenia zgodnie ze schematem połączeń elektrycznych (znajdującym się po wewnętrznej stronie prawej ściany bocznej) lub ze schematem połączeń elektrycznych zawartym w rozdziale „Dane techniczne”.

W przypadku niewystarczającego dostępu do kątownika blaszanego służącego jako wspornik sieciowych zacisków przyłączeniowych wskutek zbyt małego odstępu bocznego można go przechylić do przodu po uprzednim odkręceniu śruby mocującej.

12.4.3 Praca bez stycznika ogrzewania

Jeśli nie jest planowany montaż stycznika ogrzewania (wymagany przez niektóre zakłady energetyczne), można wykorzystać funkcję elektroniki pieca akumulacyjnego.

- ▶ W tym celu sygnały zakładu energetycznego LF i N lub sygnały SH i N danego urządzenia sterowniczego ładowania podłączyć bezpośrednio do zacisków LF/SH i N pieca akumulacyjnego.
- ▶ W menu konfiguracyjnym nastawić parametr P15 na 1 (patrz rozdział „Instalacja / Menu konfiguracyjne”).

Załączenie grzałek w ogrzewaczu akumulacyjnym następuje po załączeniu mocy przez zakład energetyczny lub po sygnale rozpoczęcia nagrzewania z elektronicznego regulatora ładowania.

12.4.4 Tabliczka znamionowa urządzenia

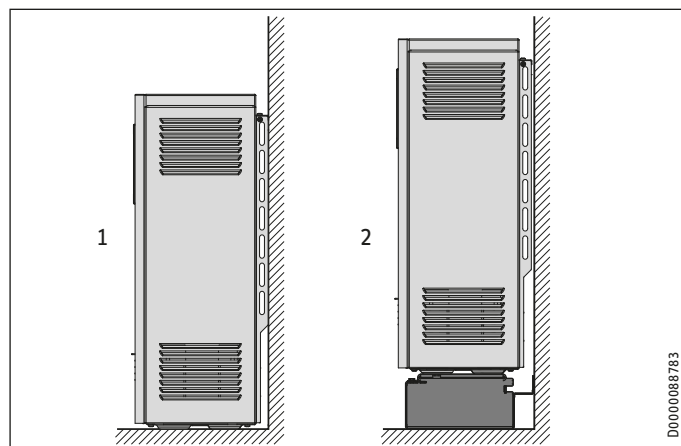


Wskazówka

Udokumentować moc przyłączeniową i znamionowy czas ładowania.

- ▶ W tym celu zaznaczyć odpowiednie pola na tabliczce znamionowej.

12.5 Ustawienie na podłożu



- 1 Ustawienie na podłożu
- 2 Ustawienie za pomocą wsporników podłogowych

Powierzchnia ustawienia urządzenia musi być równa i dostatecznie nośna. Informacje na temat masy urządzenia podane są w rozdziale „Dane techniczne / Tabela danych”. W razie wątpliwości skontaktować się z rzeczoznawcą budowlanym.

Urządzenia mogą zostać ustawione na każdej standardowej podłodze. Jednak w okolicy płóz na podłogach z PCW, parkiecie i wykładzinach dywanowych z długim bądź wysokim włosiem pod wpływem nacisku i ciepła mogą pojawiać się zmiany. W takich przypadkach należy zastosować podkłady z płyt odpornych na ciepło (do nabycia we własnym zakresie).

Aby zapewnić stabilność urządzenia, należy je przymocować do ściany lub posadzki.

Montaż na ścianie

Mocowanie ściennie przy założeniu wystarczającej nośności ściany umożliwia otwór znajdujący się w tylnej ścianie urządzenia w pobliżu obszaru podłączeń.

- ▶ Przykręć urządzenie do ściany przy użyciu odpowiedniego wkrętu, aby je zabezpieczyć przed przewróceniem.

Zamocowanie na posadzce

Alternatywnie urządzenie można przykręcić do posadzki, wykorzystując cztery otwory (Ø 9 mm) w stopkach urządzenia.

- ▶ Wymontować kratkę wylotu powietrza, ścianę przednią i zespół prowadzący powietrze (patrz rozdział „Montaż / Otwieranie urządzenia” i „Czyszczenie urządzenia”).
- ▶ Odpowiednimi wkrętami przymocować urządzenie do posadzki.

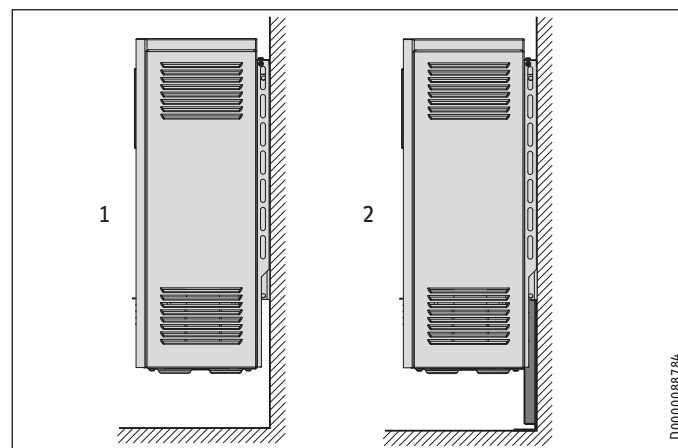
12.5.1 Ustawienie za pomocą wsporników podłogowych

Konsola stojąca Vario (osprzęt) umożliwia ustawienie urządzenia z zachowaniem prześwitu.

Jeśli możliwe jest mocowanie ściennie urządzenia na ścianie o odpowiedniej nośności, konsola wymaga jedynie przykręcenia pod nóżkami urządzenia.

Jeśli nie ma odpowiedniej ściany mocującej, należy skrócić konsolę z podłogą i nóżkami urządzenia.

12.6 Warianty montażu SHS



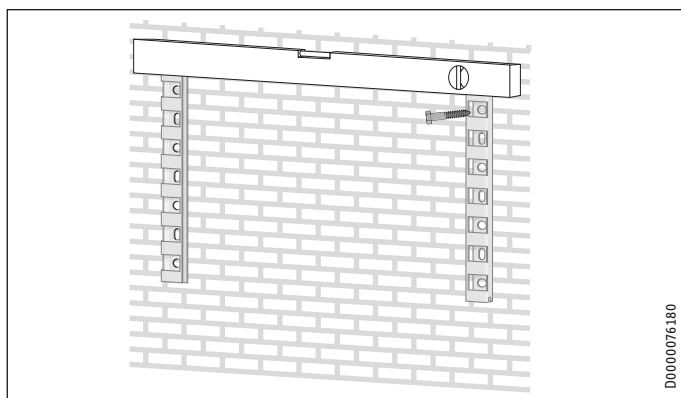
- 1 Montaż z mocowaniem ściennym (SHS 1200-3600) w przypadku ściany o wystarczającej nośności
- 2 Montaż ze wspornikiem w przypadku ściany o niewystarczającej nośności

12.6.1 Nadpodłogowe mocowanie urządzenia za pomocą mocowań ściennych

W przypadku tego sposobu montażu należy przestrzegać następujących wskazówek:

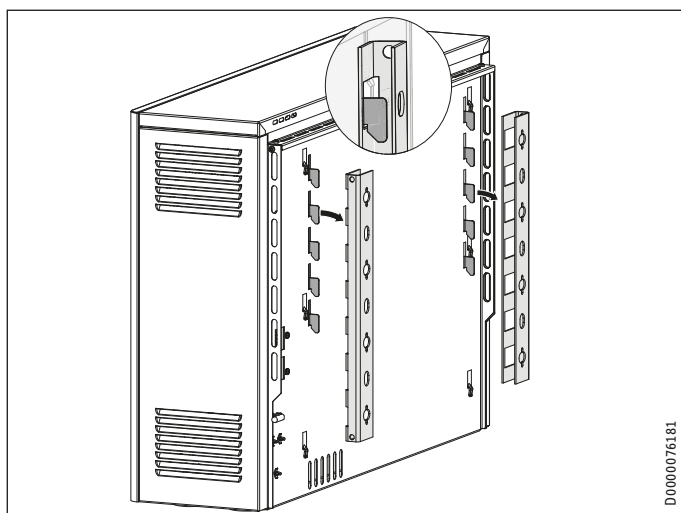
jeśli ściana ma odpowiednią nośność, urządzenie można przymocować do niej za pomocą mocowań ściennych dołączonych do zestawu. Należy pamiętać o następującej zasadzie:

- SHS 1200-3600: Mocowanie ścienne utrzymuje masę urządzenia.
- SHS 4200-4800: Mocowanie ścienne musi być wsparte dodatkowym wspornikiem (osprzęt).
- W przypadku gdy istnieją wątpliwości odnośnie nośności ściany, w trakcie montażu urządzeń SHS 1200-3600 należy zastosować dodatkowy wspornik (osprzęt).



D0000076180

- ▶ Odkręcić oba mocowania ścienne z tylnej ścianki urządzenia.
- ▶ Do ściany mocującej przymocować mocowania ścienne przy uwzględnieniu minimalnych odstępów oraz wymiarów odstępów otworów. (Wymiary patrz rozdział „Odstępy minimalne” oraz „Dane techniczne / Wymiary i przyłącza”).



D0000076181

- ▶ Zawiesić urządzenie na mocowaniach ściennych.

12.7 Układanie wkładów akumulujących ciepło



OSTRZEŻENIE - poparzenie

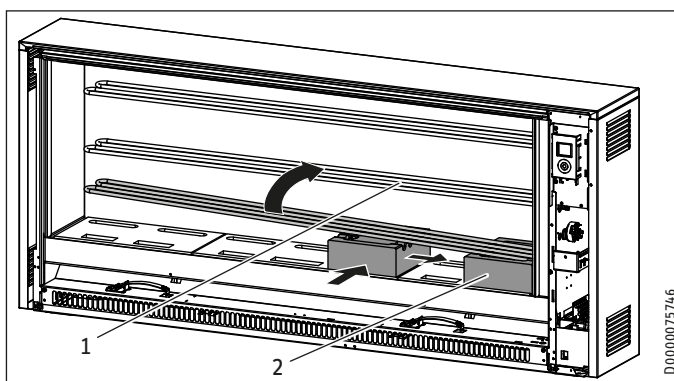
Uszkodzona warstwa izolacji cieplnej może być przyczyną nadmiernego nagrzewania się obudowy urządzenia.

- ▶ Sprawdzić izolację cieplną pod kątem występowania uszkodzeń transportowych.
- ▶ Uszkodzone elementy izolacji cieplnej wymienić na nowe.

W urządzeniu nie mogą znajdować się żadne ciała obce, jak np. fragmenty materiałów opakowaniowych.

- ▶ Zdjąć osłonę blaszaną, po czym z wnętrza urządzenia wyjąć tekturowe wkładki.

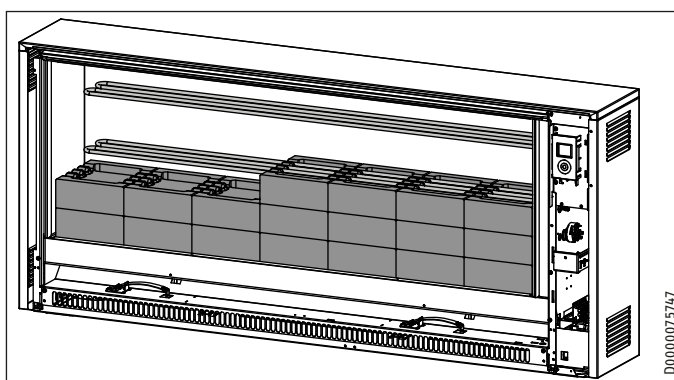
Wkłady akumulujące ciepło są dostarczane w osobnym opakowaniu. Wkłady akumulujące ciepło, które wykazują niewielkie uszkodzenia transportowe, mogą być używane. Nie ma to negatywnego wpływu na pracę urządzenia.



D0000075746

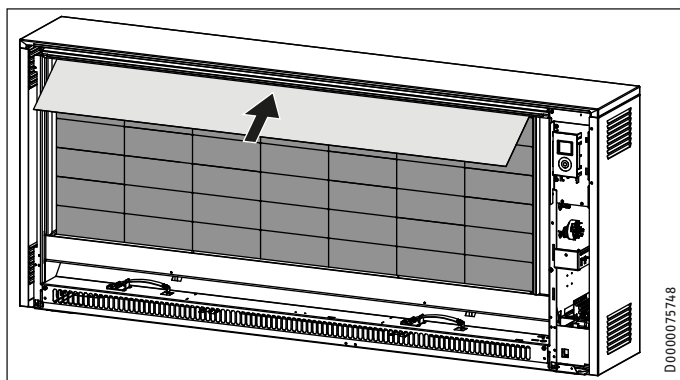
- 1 Grzałka
- 2 Wkład akumulujący ciepło

- ▶ Aby włożyć wkłady akumulujące ciepło, podnieś nieznacznie grzałkę.
- ▶ Przy podnoszeniu grzałek uważać, aby nie powiększyły one otworów przepustowych w bocznej warstwie izolacji cieplnej.
- ▶ Włożyć do urządzenia pierwszy wkład akumulujący ciepło z wgłębieniem na grzałkę skierowanym do góry, pamiętając, by zachować pewien odstęp od prawej warstwy izolacji cieplnej.
- ▶ Dosunąć kamień do prawej, tylnej warstwy izolacji cieplnej. Wzdłużne otwory stanowią kanały grzewcze.



D0000075747

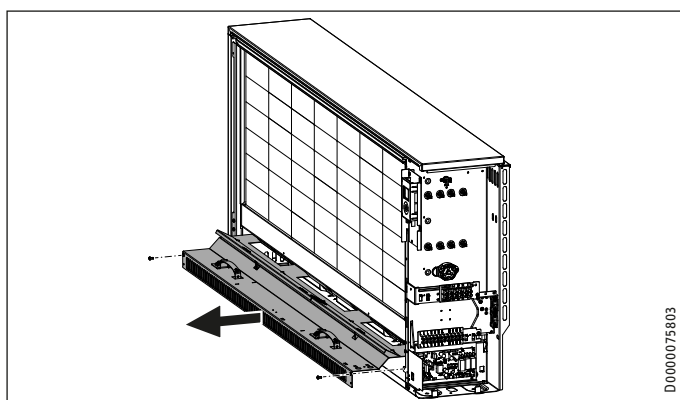
- ▶ Włożyć następne wkłady akumulujące ciepło w kolejności przedstawionej na ilustracji.



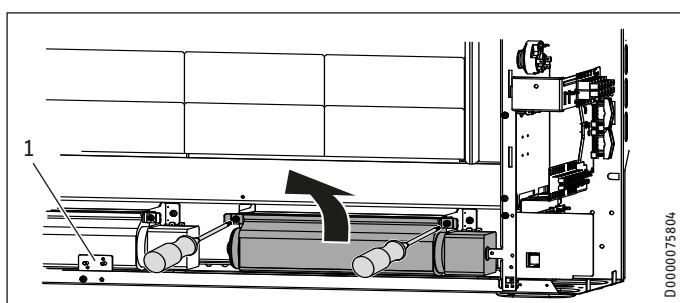
- ▶ Wyjętą uprzednio z urządzenia osłonę blaszaną założyć na górną warstwę wkładów akumulujących ciepło.

12.8 Czyszczenie urządzenia

- ▶ Po ustawieniu urządzenia i włożeniu do niego wkładów akumulujących ciepło wyczyścić urządzenie. W tym celu wykonać następujące czynności:



- ▶ Zdemontować zespół prowadzenia powietrza.



- 1 Regulator temperatury (N5)

- ▶ Podnieś dmuchawę i wyjąć ją z urządzenia. W tym celu odkręcić wkręty umieszczone z przodu kątowników wspornikowych.
- ▶ Uważać przy tym na przewody.

W tym celu w niektórych urządzeniach należy odkręcić ochrony regulator temperatury (N5) i wspornik blaszany.



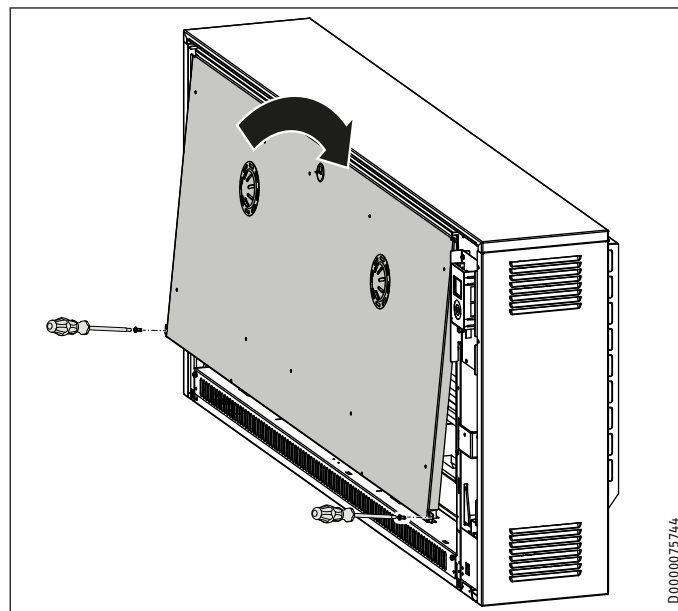
Szkody materialne

Przy odkładaniu wymontowanych części na bok należy uważać, aby nie uszkodzić przewodów plecionych.

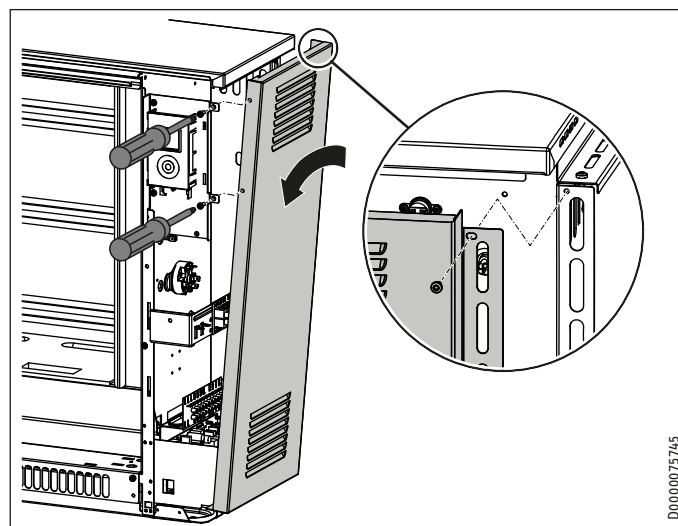
- ▶ Wyczyścić blaszane dno i dmuchawę. Uważać, aby nie uszkodzić lameli.

- ▶ Następnie z powrotem zamontować dmuchawę, ew. ochronny regulator temperatury oraz zespół prowadzący powietrze.
- ▶ Uważać, aby prawidłowo ułożyć przewody.

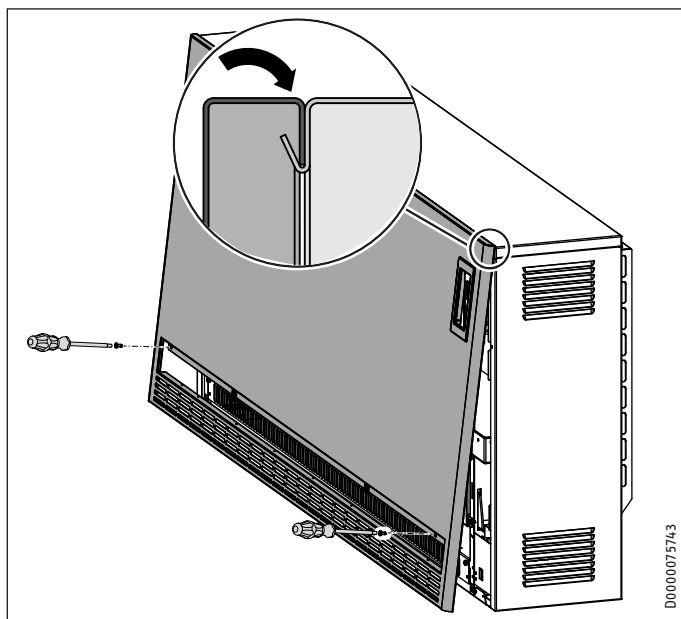
12.9 Zamknięcie urządzenia



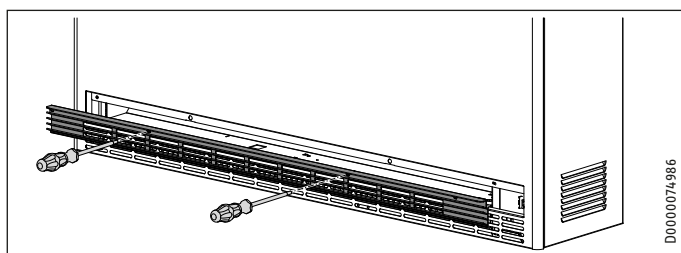
- ▶ Założyć z powrotem wewnętrzną ściankę przednią.



- ▶ Założyć prawą ścianę boczną na dole i przechylić ją u góry do urządzenia.
- ▶ Zaczepić ścianę boczną u góry na pokrywie i nacisnąć ją do tyłu. Zwrócić uwagę, aby ściana boczna przylegała do blachy mocującej panelu obsługowego.
- ▶ Przykręcić ścianę boczną 3 śrubami z podkładkami zębatymi.



- ▶ Przed zamontowaniem ściany przedniej usunąć folię ochronną z panelu obsługowego.
- ▶ Założyć z powrotem ściankę przednią.
- ▶ Przykręcić ścianę przednią śrubami z tarczami zębatymi.



- ▶ Przykręcić kratkę wylotu powietrza obydwoма zamknięciami obrotowymi 1/4.

13. Menu konfiguracyjne

W menu konfiguracyjnym wartości rzeczywiste i parametry są podzielone na dwa poziomy dostępu.

Poziom dostępu	Opis
A0	Wartości rzeczywiste i parametry, które są dostępne bez kodu dla użytkownika urządzenia. Parametry można wybierać przyciskiem „+” lub „-”.
A1	Po wprowadzeniu czterocyfrowego kodu odblokowane zostaną dodatkowe wartości rzeczywiste i parametry, które zarezerwowane są dla wyspecjalizowanego instalatora. Parametry można wybierać tylko przyciskiem „+”.

Aby przejść do menu konfiguracyjnego, przytrzymać przycisk „Menu”. Po ok. 3 sekundach wyświetlana jest wartość rzeczywista I1.

Zwalnianie wartości rzeczywistych i parametrów w poziomie dostępu A1

- ▶ Za pomocą przycisku „+” lub „-” wyświetlić punkt menu „CodE”.
Na przemian z punktem menu wyświetlany jest poziom dostępu A0.
- ▶ Nacisnąć przycisk „OK”.
Wyświetlane jest pole wprowadzania kodu. Miga pierwsza cyfra.
- ▶ Przyciskiem „+” lub „-” wprowadzić kod 1000.
Po każdej wprowadzonej cyfrze nacisnąć przycisk „OK”.

Po wprowadzeniu prawidłowego kodu widoczne będą wartości rzeczywiste i parametry, które wcześniej były zablokowane.

Aby zmienić wartość parametru, wybrać odpowiedni parametr przyciskiem „+”. Nacisnąć przycisk „OK”.

Gdy wyświetlony zostanie symbol „Parametr edytowalny”, przyciskiem „+” i „-” można zmienić wartość parametru. Aby zapisać nastawioną wartość, nacisnąć przycisk „OK”.

Jeśli naciśnięty zostanie przycisk „Menu” lub przez 10 sekund nie zostanie wykonana żadna czynność obsługowa, urządzenie automatycznie przejdzie do wskazania standardowego. Blokada parametrów jest znów aktywna.

Wskazanie	Poziom dostępu	Znaczenie	Opcje	Opis
I1*	A0	Rzeczywista temperatura pomieszczenia [°C °F]		
I2	A0	Względny czas grzania [h]		
I3	A1	Zadany stopień ładowania następnego ładowania [%]		
I4	A1	Rzeczywisty stopień ładowania [%]		
Pro1*	A0	Program czasowy Pro1		
Pro2*	A0	Program czasowy Pro2		
Pro3*	A0	Program czasowy Pro3		
P1*	A0	Margines temperatury pomieszczenia	±3 °C ±5 °F	
P2*	A0	Format godziny	12 h 24 h	
P3*	A0	Jednostka wskazania temperatury	°C °F	
P4*	A0	Reset programów czasowych	on off	
P5	A0	Reset względnego czasu grzania	on off	

INSTALACJA

Menu konfiguracyjne

Wskazanie Poziom dostępu	Znaczenie	Opcje	Opis
P6 A1	Sygnał sterujący SL	0	Wejście SL dezaktywowane (nastawa fabryczna): Sterowanie wentylatorem odbywa się za pośrednictwem wbudowanego regulatora temperatury pomieszczenia.
		1	Wejście SL aktywne: Sterowanie dmuchawą odbywa się za pośrednictwem 2-punktowego regulatora temperatury pomieszczenia zamontowanego na ścianie.
P7* A1	Rodzaj sterowania wentylatora	0	Regulacja dwupunktowa: Wentylator jest włączany i wyłączany przez wbudowany regulator temperatury pomieszczenia w zależności od zapotrzebowania ciepła.
		1	Regulacja proporcjonalna (nastawa fabryczna): Prędkość obrotowa silników wentylatora jest dostosowywana bezstopniowo przez wbudowany regulator temperatury pomieszczenia do zapotrzebowania ciepła.
P8 A1	Obniżanie temperatury wyłączenia	100% 90% 80% 70%	W połączeniu z mocą przyłączeniową, którą można zmienić, istnieje możliwość nastawienia czterech różnych stopni ładowania dla elektronicznego regulatora ładowania. Nastawą fabryczną jest 100% (bez redukcji). Jeśli wybrana zostanie inna nastawa, efektem będzie zredukowany stopień ładowania (temperatura wyłączenia elektronicznego regulatora ładowania zostanie obniżona). Patrz rozdział „Dane techniczne / Ograniczenie mocy przyłączeniowej przy zachowaniu znamionowego czasu ładowania”.
P12 A1	Ogrzewanie dodatkowe (osprzęt)	0	Jeśli w urządzeniu nie jest zainstalowane ogrzewanie dodatkowe (nastawa fabryczna).
		1	Ogrzewanie dodatkowe zainstalowane w urządzeniu zostanie aktywowane.
P14 A1	Źródło zadanego stopnia ładowania	1	Stopień ładowania reguluje się tylko za pomocą osłabiacza stopnia ładowania.
		2	Przewód sterujący ładowania jest podłączony do sygnału sterującego AC (nastawa fabryczna). Do regulacji systemu ED i reakcji na usterki służą parametry P17 i P18.
		3	Przewód sterujący ładowania jest podłączony do sygnału sterującego DC. Do regulacji reakcji na usterki służy parametr P18.
		4	Stopień ładowania jest określany przez regulację ładowania sterowaną temperaturą pomieszczenia. Sposób uwolnienia ładowania można wybrać za pomocą parametru P15 (P15=1 lub P15=3).
P15 A1	Źródło aktywowania niskiej taryfy	0	Stała aktywacja (nastawa fabryczna): Grzałki są włączane, gdy stycznik ogrzewania i elektroniczny regulator ładowania aktywują ładowanie.
		1	Aktywacja za pomocą sygnału sprzętowego LF: Włączenie grzałek następuje po uwolnieniu sygnału LF przez zakład energetyczny i uruchomieniu ładowania przez elektroniczny regulator ładowania. Sygnał zakładu energetycznego LF musi być podłączony do zacisku LF/SH.
		3	Aktywacja za pomocą zegara wewnętrznego: Włączenie grzałek następuje dopiero po aktywowaniu przez zegar wewnętrzny i uruchomieniu ładowania przez elektroniczny regulator ładowania. W ciągu 24 godzin możliwa jest tylko aktywacja. Godzina rozpoczęcia aktywacji jest nastawiana za pomocą parametru P19, natomiast czas trwania ładowania za pomocą parametru P20.
P17 A1	System ED	30%–80%	Przewód sterujący ładowania musi być podłączony do sygnału sterującego AC (sygnał napięcia przemiennego na zaciskach A1 i A2). Elektroniczny regulator ładowania urządzenia może być użytkowany w sterownikach ładowania systemów ED 80%, 72%, 68%, 40% i 37%. Nastawa fabryczna jest przewidziana dla systemów ED 80%. Jeśli urządzenie jest użytkowane w ramach innych systemów ED, należy ustawić ten parametr na odpowiednią wartość procentową.
P18 A1	Reakcja na usterkę	0	Urządzenie jest nastawione na „negatywną reakcję na usterkę” (bez ładowania pieca akumulacyjnego w przypadku awarii sterownika ładowania). Nastawy można dokonać jedynie w przypadku eksploatacji przy cyfrowych sterownikach ładowania. W przypadku sterowników ładowania AC dodatkowo wymagany jest sygnał ED 80%.
		1	Urządzenie jest nastawione na „pozytywną reakcję na usterkę” (nastawa fabryczna). W przypadku usterki sterownika ładowania (np. w przypadku braku sygnału sterującego) urządzenie zostanie naładowane do pełna.
P19 A1	Godzina rozpoczęcia aktywacji za pomocą zegara	- :- -	Nastawić godzinę rozpoczęcia aktywacji ładowania za pomocą wewnętrznego zegara. Nastawa fabryczna to godzina 00:00. Nastawiając godzinę rozpoczęcia, należy zwrócić uwagę, aby dzień tygodnia i godzina były prawidłowo nastawione.
P20 A1	Czas trwania aktywacji za pomocą zegara	00:00 h– 22:00 h	Nastawić czas trwania ładowania aktywacji ładowania za pomocą wewnętrznego zegara. Nastawa fabryczna to 8 godzin. Maksymalny czas ładowania wynosi 22 godziny.

* Wyświetla się tylko wtedy, gdy sterowanie wentylatorem odbywa się za pomocą wbudowanego regulatora temperatury pomieszczenia.

14. Uruchomienie

14.1 Kontrola przed uruchomieniem

Przed uruchomieniem można przeprowadzić kontrolę funkcji. W tym celu wyświetlić tryb uruchamiania w menu konfiguracyjnym.

- ▶ Aby przejść do menu konfiguracyjnego, przytrzymać przycisk „Menu” przez ok. 3 sekundy.

Najpierw należy odblokować poziom dostępu A1, który jest zarezerwowany dla wyspecjalizowanego instalatora.

- ▶ Za pomocą przycisku „+” lub „-” wyświetlić punkt menu „CodE”.
- ▶ Nacisnąć przycisk „OK”. Wyświetlane jest pole wprowadzania kodu. Miga pierwsza cyfra.
- ▶ Przyciskiem „+” lub „-” wprowadzić kod 1000. Po każdej wprowadzonej cyfrze nacisnąć przycisk „OK”.
- ▶ Po wprowadzeniu prawidłowego kodu za pomocą przycisku „+” wyświetlić wartość rzeczywistą I4.
- ▶ Aby przejść do trybu uruchamiania, przytrzymać równocześnie przycisk „Menu” i „+” przez ok. 3 sekundy.

W trybie uruchamiania odbywa się pierwsze ładowanie. Stopień ładowania odpowiada jego nastawie. Na ekranie wyświetlany jest postęp ładowania w procentach.



Wskazówka

- Jeśli stopień ładowania jest nastawiony na 0%, ładowanie nie będzie przeprowadzane.
- Po osiągnięciu stopnia ładowania urządzenie automatycznie wychodzi z trybu uruchamiania.

- ▶ Sprawdzić funkcję dmuchawy poprzez włączenie uruchomienia dmuchawy przyciskiem „Wentylator”.
- ▶ Aby wyjść z trybu uruchamiania, przytrzymać równocześnie przycisk „Menu” i „-” przez ok. 3 sekundy.

14.2 Pierwsze uruchomienie

Urządzenie można uruchomić bezpośrednio po zakończeniu montażu.

- ▶ Nastawić ładowanie za pośrednictwem stopnia ładowania lub sterownika ładowania.

14.2.1 Ładowanie

Podczas pierwszego ładowania mogą pojawić się pewne zapachy.

- ▶ Zadbaj o właściwą wentylację pomieszczenia. Otworzenie okna w położeniu uchylonym zapewni 1,5-krotną wymianę powietrza.

Przy ustawieniu urządzenia w sypialni nie należy wykonywać pierwszego ładowania podczas snu.

15. Modyfikacja urządzenia

Przy modyfikacjach i montażu podzespołów należy przestrzegać informacji podanych w stosownej instrukcji obsługi.

16. Przekazanie

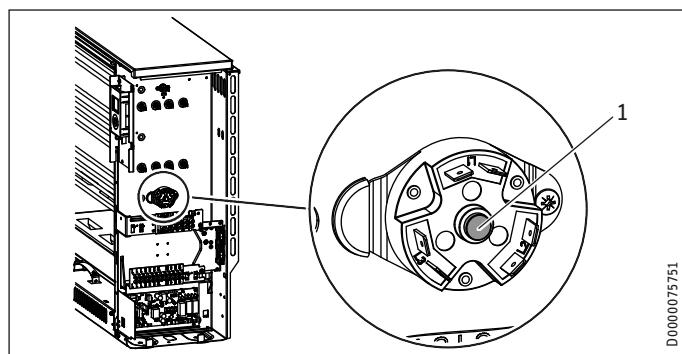
Objaśnić użytkownikowi sposób działania urządzenia. Zwrócić jego uwagę szczególnie na wskazówki dotyczące bezpieczeństwa. Przekazać niniejszą instrukcję obsługi i instalacji użytkownikowi urządzenia.

17. Usuwanie usterek

17.1 Tabela usterek

Usterka	Przyczyna	Usuwanie
Urządzenie nie rozgrzewa się.	Stycznik grzałki nie załącza się prawidłowo.	Sprawdź wystawienie stycznika grzałki.
	Brak zasilania ogrzewacza akumulacyjnego.	Sprawdź bezpiecznik w skrzynce rozdzielczej.
	Brak zasilania regulatora ładowania.	Sprawdź zasilanie. Patrz rozdział „Podłączenie elektryczne” lub/i „Dane techniczne”.
	Zadziałał ogranicznik temperatury bezpieczeństwa (F1).	Włączyć z powrotem ogranicznik temperatury (patrz rozdział „Włączanie ogranicznika temperatury bezpieczeństwa”).
Urządzenie ładuje się zbyt mocno przy umiarkowanej temperaturze zewnętrznej (przy stosowaniu sterownika ładowania).	Sterownik ładowania nie jest właściwie nastawiony.	Sprawdzić nastawę sterownika ładowania.
	Regulator ładowania nie działa prawidłowo.	Sprawdzić nastawy parametrów P14, P15, P17 i P18 w menu konfiguracyjnym (patrz rozdział „Instalacja / Menu konfiguracyjne”).
	Przerwany przepływ sygnału sterującego.	Sprawdzić, czy do pieca akumulacyjnego doprowadzony jest sygnał sterujący sterownika ładowania.
Urządzenie ładuje się zbyt mocno przy umiarkowanej temperaturze zewnętrznej (przy ręcznej regulacji ładowania).	Niewłaściwa nastawa krzywej grzewczej.	Sprawdzić nastawy w sterowniku ładowania.
	Czujnik temperatury zewnętrznej jest uszkodzony.	Sprawdzić czujnik temperatury zewnętrznej i w razie potrzeby wymienić na nowy.
	Regulator ładowania podaje niewłaściwy sygnał sterujący.	Sprawdzić nastawy parametrów P17 i P18 w menu konfiguracyjnym (patrz rozdział „Instalacja / Menu konfiguracyjne”).
Urządzenie ładuje się zbyt mocno przy umiarkowanej temperaturze zewnętrznej (przy ręcznej regulacji ładowania).	Nastawy stopnia ładowania przy piecu akumulacyjnym.	Skontrolować nastawę stopnia ładowania.
W przypadku regulacji ładowania sterowanej temperaturą pomieszczenia pomieszczenie jest wieczorami stale nagrzane zbyt mocno.	Poziom energii w urządzeniu jest za wysoki.	Obniżyć poziom energii w urządzeniu za pomocą osłabacza stopnia ładowania.
Urządzenie nie oddaje ciepła.	Dmuchawy nie obracają się.	Skontrolować nastawy parametru P6 w menu konfiguracyjnym (patrz rozdział „Instalacja / Menu konfiguracyjne”). ... czy włączone jest uruchomienie dmuchawy. ... czy do pieca akumulacyjnego doprowadzone jest napięcie dmuchawy.
	Sitko we wlocie powietrza jest zapchane.	Wyczyścić sitko. Patrz rozdział „Czyszczenie i konserwacja”. Sprawdzić, czy przepływ powietrza nie jest blokowany przez np. dywan. Sprawdzić, czy załączył się regulator temperatury (N5) na wylocie powietrza.
Na wskazaniu pojawił się kod błędu „E1”.	Czujnik temperatury pomieszczenia jest uszkodzony.	Sprawdzić czujnik temperatury pomieszczenia i w razie potrzeby wymienić na nowy.
Na wskazaniu pojawił się kod błędu „E2”.	Czujnik temperatury rdzenia jest uszkodzony.	Sprawdzić czujnik temperatury rdzeniowej i w razie potrzeby wymienić na nowy.
Na wskazaniu pojawił się kod błędu „E3”.	Sygnał sterujący DC jest podłączony z niewłaściwą polaryzacją.	Sprawdzić przyłącze sygnału sterującego DC.

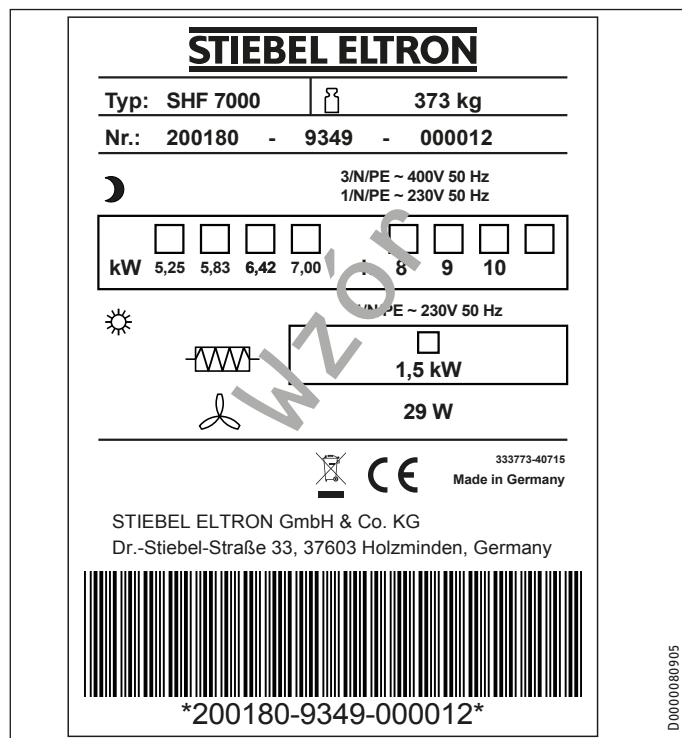
17.1.1 Włączanie ogranicznika temperatury bezpieczeństwa (F1)








1 Przycisk resetowania w ograniczniku temperatury bezpieczeństwa

Ogranicznik temperatury bezpieczeństwa można z powrotem włączyć poprzez wciśnięcie przycisku resetowania, po usunięciu przyczyny błędu.

17.2 Symbole na tabliczce znamionowej



Symbole na tabliczce znamionowej (przykład: SHF 7000)

-  Waga łączna
-  Ładowanie
-  Rozładowanie
-  Ogrzewanie dodatkowe
-  Dmuchawa

18. Konserwacja i czyszczenie

Kanał nadmuchowy znajdujący się za kratką wylotu powietrza należy sprawdzać co dwa lata. Mogą się w nim gromadzić zanieczyszczenia.



Wskazówka

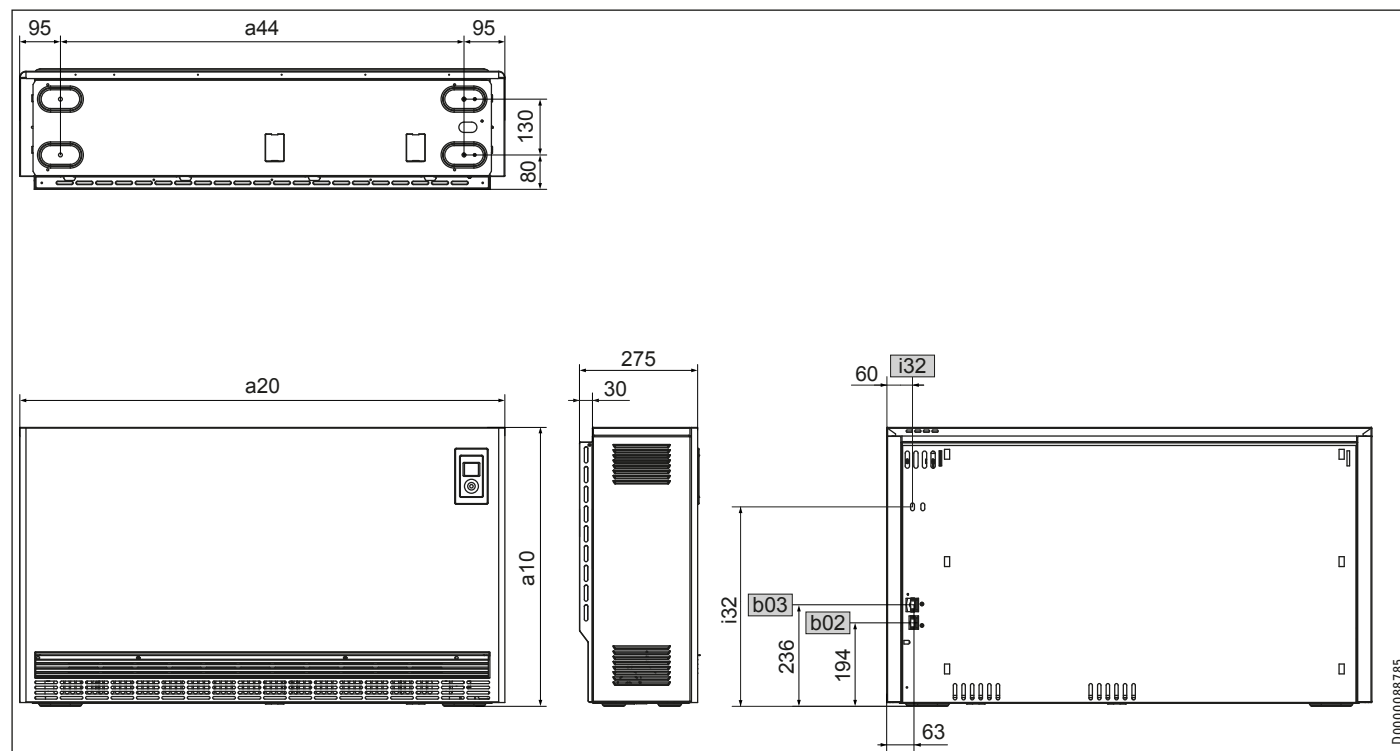
Podczas regularnych konserwacji zalecamy również zlecenie kontroli przyrządów kontrolnych i regulacyjnych.

- ▶ Zlecić wyspecjalizowanemu instalatorowi kontrolę zabezpieczeń, przyrządów kontrolnych i regulacyjnych oraz cały układ ładowania i rozładowywania najpóźniej po upływie 10 lat od pierwszego uruchomienia.

19. Dane techniczne

19.1 Wymiary i przyłącza

SHF | SHL



D0000088785

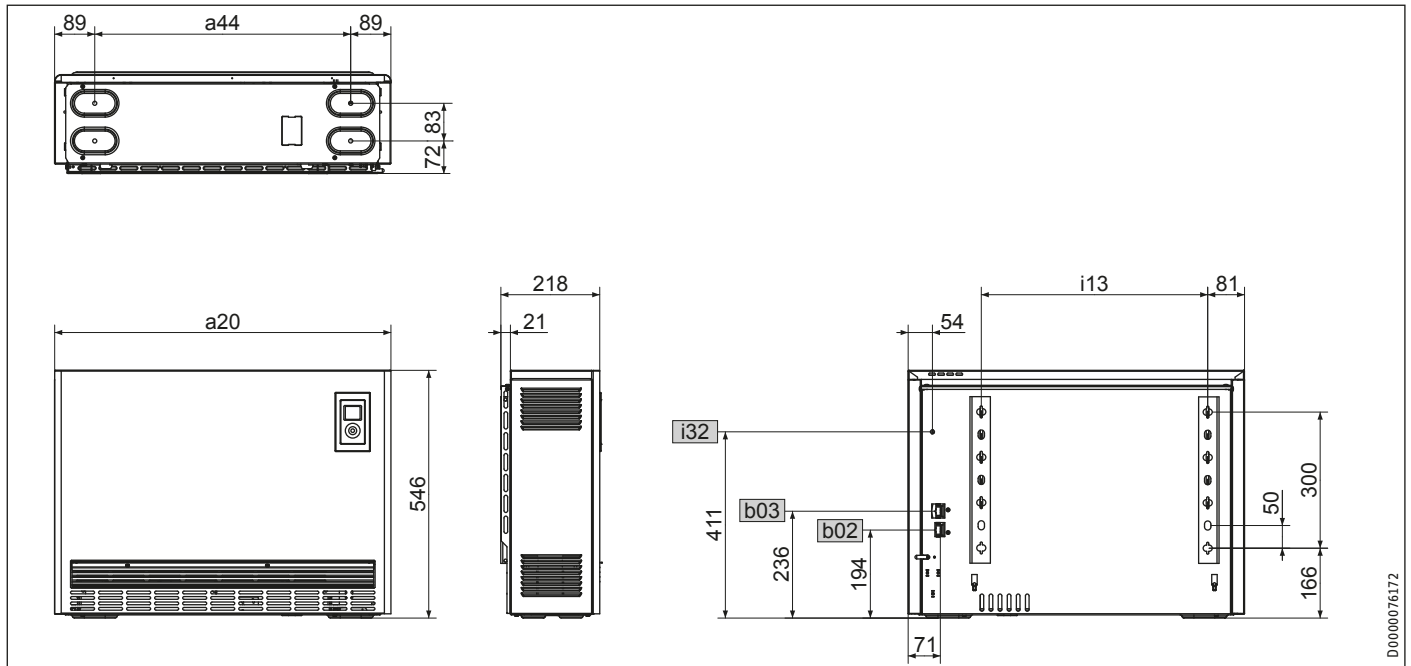
POLSKI

			SHF 2000	SHF 3000	SHF 4000	SHF 5000	SHF 6000	SHF 7000	SHL 3500	SHL 5000	
a10	Urządzenie	Wysokość	mm	650	650	650	650	650	650	490	490
a20	Urządzenie	Szerokość	mm	605	780	955	1130	1305	1480	1130	1480
a44	Urządzenie	Rozstaw nóżek regulowanych	mm	415	590	765	940	1115	1290	940	1290
b02	Przepust na przewody elektr. I										
b03	Przepust na przewody elektr. II										
i32	Zamocowanie	Wysokość	mm	464	464	464	464	464	464	306	306

INSTALACJA

Dane techniczne

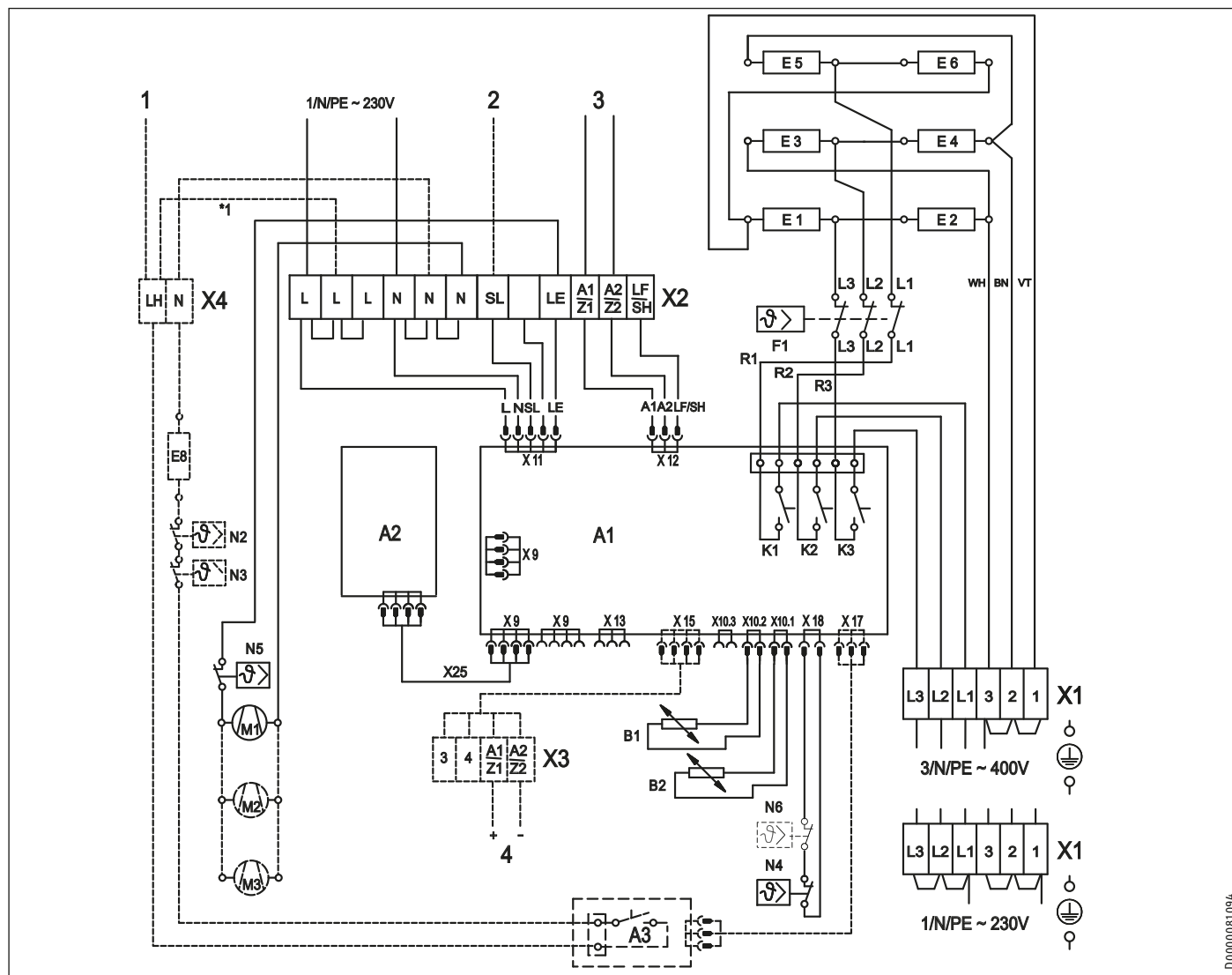
SHS



D0000076172

			SHS 1200	SHS 1800	SHS 2400	SHS 3000	SHS 3600	SHS 4200	SHS 4800	
a20	Urządzenie	Szerokość	mm	580	741	902	1063	1224	1385	1546
a44	Urządzenie	Rozstaw nóżek regulowanych	mm	402	563	724	885	1046	1207	1368
b02	Przepust na przewody elektr. I									
b03	Przepust na przewody elektr. II									
i13	Uchwyt ścienny	Odległość między otworami w poziomie	mm	337,5	498,5	659,5	820,5	981,5	1142,5	1303,5
i32	Zamocowanie									

19.2 Schemat połączeń elektrycznych



Część akumulacyjna

- A1 Elektroniczny regulator ładowania/rozładowania
- A2 Elektroniczny moduł obsługowy
- B1 Czujnik rdzeniowy - ładowanie
- B2 Czujnik temperatury pomieszczenia - rozładowywanie
- F1 Ogranicznik temperatury bezpieczeństwa
- E1 - E6 Grzałka
- M1 - M3 Dmuchała pieca akumulacyjnego
- N4 Ogranicznik temperatury - ładowanie
- N5 Ochronny regulator temperatury
- N6 Ogranicznik temperatury - stopień ładowania tylko SHF 6000-7000, SHS 3000-4800, SHL 5000
- X25 Przewód łączący wewn. A1 - A2
- X1 Zacisk sieciowy
- X2 Zacisk przyłączeniowy

Osprzęt

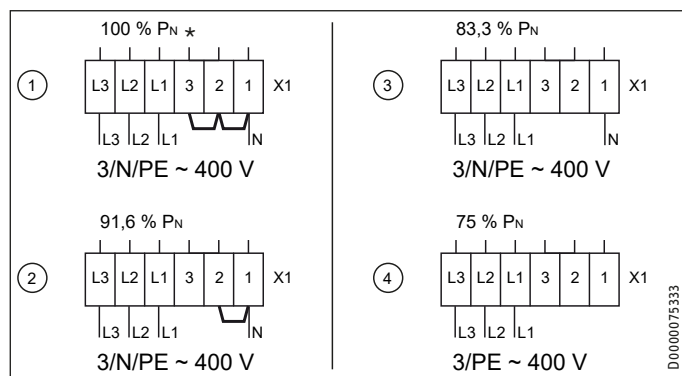
(Nie jest zawarty w zakresie dostawy. Zakreślić zamontowany osprzęt, zaznaczając odpowiednie pola krzyżykiem.)

- Przyłącze DC**
- X3 Zacisk przyłączeniowy (0,91 - 1,43 V)
- Ogrzewanie dodatkowe** (wysterowanie wewn.)
*1 / skrętka LH - L
- Ogrzewanie dodatkowe** (wysterowanie zewn.)
- A3 Podzespół z przełącznikiem ogrzewania dodatkowego
- E8 Grzałka dodatkowa
- N2 Regulator temperatury ogrzewania dodatkowego
- N3 Regulator temperatury ogrzewania dodatkowego
- X4 Zacisk przyłączeniowy

Przyłącza

- 1 (LH) Ogrzewanie dodatkowe, wysterowanie zewn. (LH)
- 2 (SL) Wentylator, wysterowanie zewn. (LE)
- 3 (A1/A2) Sterowanie ładowaniem za pomocą systemu 230 V AC
- 4 (A1/A2) Sterowanie ładowaniem niską wartością napięcia DC

19.3 Ograniczenie mocy przyłączeniowej przy podwyższeniu znamionowego czasu ładowania



* Okablowanie seryjne

SHF | SHS

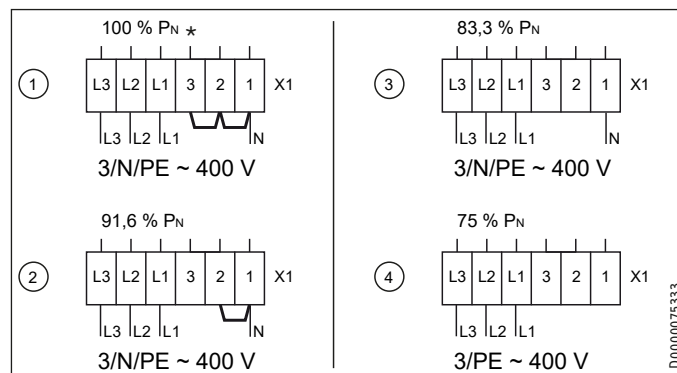
Warianty mocy					
Wariant podłączenia		①	②	③	④
Moc przyłączeniowa		100 %	91,6 %	83,3 %	75 %
Znamionowy czas ładowania		8 godz.	9 godz.	10 godz.	-
Typ					
SHF 2000	kW	2,00	1,83	1,67	1,50
SHF 3000	kW	3,00	2,75	2,50	2,25
SHF 4000	kW	4,00	3,66	3,33	3,00
SHF 5000	kW	5,00	4,58	4,16	3,75
SHF 6000	kW	6,00	5,50	5,00	4,50
SHF 7000	kW	7,00	6,42	5,83	5,25
SHS 1200	kW	1,20	1,10	1,00	0,90
SHS 1800	kW	1,80	1,65	1,50	1,35
SHS 2400	kW	2,40	2,20	2,00	1,80
SHS 3000	kW	3,00	2,76	2,49	2,25
SHS 3600	kW	3,60	3,30	3,00	2,70
SHS 4200	kW	4,20	3,86	3,51	3,15
SHS 4800	kW	4,80	4,40	4,00	3,60

SHL

Warianty mocy					
Wariant podłączenia		①	②	③	④
Moc przyłączeniowa		100 %	91,6 %	83,3 %	75 %
Znamionowy czas ładowania		7 godz.	8 godz.	9 godz.	10 godz.
Typ					
SHL 3500	kW	3,50	3,21	2,92	2,63
SHL 5000	kW	5,00	4,58	4,16	3,75

19.4 Ograniczenie mocy przyłączeniowej przy zachowaniu znamionowego czasu ładowania

- Znamionowy czas ładowania SHL: 7 godzin
- Znamionowy czas ładowania SHF | SHS: 8 godzin



* Okablowanie seryjne

Warianty mocy					
Wariant podłączenia		①	②	③	④
Moc przyłączeniowa		100 %	91,6 %	83,3 %	75 %
Stopnie ładowania do wyboru przez parametr P8		100 %	90 %	80 %	70 %

INSTALACJA

Dane techniczne

19.5 Dane dotyczące zużycia energii

Dane produktu odpowiadają rozporządzeniom UE dotyczącym dyrektywy do ekologicznego kształtowania produktów istotnych dla zużycia energii.

Informacje produktowe dotyczące elektrycznych miejscowych ogrzewaczy pomieszczeń zgodnie z rozporządzeniem (UE) 2015/1188

		SHF 2000	SHF 3000	SHF 4000	SHF 5000	SHF 6000	SHF 7000	SHL 3500	SHL 5000
		200175	200176	200177	200178	200179	200180	200304	200305
Producent		STIEBEL ELTRON	STIEBEL ELTRON	STIEBEL ELTRON	STIEBEL ELTRON	STIEBEL ELTRON	STIEBEL ELTRON	STIEBEL ELTRON	STIEBEL ELTRON
Moc grzewcza									
Znamionowa moc grzewcza P_{nom}	kW	1,0	1,5	2,0	2,5	3,0	3,5	1,5	2,2
Minimalna moc grzewcza (wartość orientacyjna) P_{min}	kW	0,0	0,0	0,0	0,0	0,0	0,0	0,0	0,0
Maksymalna ciągła moc grzewcza $P_{max,c}$	kW	1,3	2,3	3,0	3,5	4,3	4,9	2,7	3,9

		SHS 1200	SHS 1800	SHS 2400	SHS 3000	SHS 3600	SHS 4200	SHS 4800
		200181	200182	200183	200184	200185	200186	200187
Producent		STIEBEL ELTRON	STIEBEL ELTRON	STIEBEL ELTRON	STIEBEL ELTRON	STIEBEL ELTRON	STIEBEL ELTRON	STIEBEL ELTRON
Moc grzewcza								
Znamionowa moc grzewcza P_{nom}	kW	0,6	0,9	1,2	1,5	1,8	2,1	2,4
Minimalna moc grzewcza (wartość orientacyjna) P_{min}	kW	0,0	0,0	0,0	0,0	0,0	0,0	0,0
Maksymalna ciągła moc grzewcza $P_{max,c}$	kW	1,0	1,5	1,8	2,2	2,6	2,8	3,7

Zużycie prądu pomocniczego									
Przy znamionowej mocy grzewczej $e_{l,max}$	kW	0,000	0,000	0,000	0,000	0,000	0,000	0,000	0,000
Przy minimalnej mocy grzewczej $e_{l,min}$	kW	0,000	0,000	0,000	0,000	0,000	0,000	0,000	0,000
W stanie gotowości e_{lsB}	kW	0,000	0,000	0,000	0,000	0,000	0,000	0,000	0,000
Sposób regulacji doprowadzania ciepła									
Regulacja ręczna doprowadzania ciepła z wbudowanym termostatem		-	-	-	-	-	-	-	-
Regulacja ręczna doprowadzania ciepła w połączeniu z informacją zwrotną odnośnie temperatury pomieszczenia i/lub temperatury zewnętrznej		-	-	-	-	-	-	-	-
Regulacja elektroniczna doprowadzania ciepła w połączeniu z informacją zwrotną odnośnie temperatury pomieszczenia i/lub temperatury zewnętrznej		x	x	x	x	x	x	x	x
odpływ ciepła ze wsparciem dmuchawy		x	x	x	x	x	x	x	x
Rodzaj mocy grzewczej/kontrola temperatury pomieszczenia									
Jednostopniowa moc grzewcza, bez kontroli temperatury pomieszczenia		-	-	-	-	-	-	-	-
Dwa lub więcej ręcznie nastawianych stopni, bez kontroli temperatury pomieszczenia		-	-	-	-	-	-	-	-
Kontrola temperatury pomieszczenia za pomocą termostatu mechanicznego		-	-	-	-	-	-	-	-
Z elektroniczną kontrolą temperatury pomieszczenia		-	-	-	-	-	-	-	-
Elektroniczna kontrola temperatury pomieszczenia i regulacja wg pory dnia		-	-	-	-	-	-	-	-
Elektroniczna kontrola temperatury pomieszczenia i regulacja wg dnia tygodnia		x	x	x	x	x	x	x	x
Pozostałe opcje regulacji									
Kontrola temperatury pomieszczenia z wykrywaniem obecności		-	-	-	-	-	-	-	-
Kontrola temperatury pomieszczenia z wykrywaniem otwartego okna		x	x	x	x	x	x	x	x
Z opcjami zdalnego sterowania		-	-	-	-	-	-	-	-
Z regulacją adaptacyjną początku grzania		x	x	x	x	x	x	x	x
Z ograniczeniem czasu pracy		-	-	-	-	-	-	-	-
Z czujnikiem		-	-	-	-	-	-	-	-

INSTALACJA

Dane techniczne

19.6 Tabela danych

SHF | SHL

		SHF 2000	SHF 3000	SHF 4000	SHF 5000	SHF 6000	SHF 7000	SHL 3500	SHL 5000
		200175	200176	200177	200178	200179	200180	200304	200305
Dane elektryczne									
Moc przyłączeniowa	W	2000	3000	4000	5000	6000	7000	3500	5000
Napięcie znamionowe	V	400	400	400	400	400	400	400	400
Fazy		3/N/PE	3/N/PE	3/N/PE	3/N/PE	3/N/PE	3/N/PE	3/N/PE	3/N/PE
Częstotliwość	Hz	50/-	50/-	50/-	50/-	50/-	50/-	50/-	50/-
Ładowanie znamionowe	kWh	16	24	32	40	48	56	28	40
Elektryczne ogrzewanie dodatkowe	kW	0,35	0,50	0,80	1,00	1,20	1,50	1,00	1,50
Dane energetyczne									
Roczny współczynnik wykorzystania ogrzewania pomieszczeń η_s	%	39,5	39,5	39,5	39,5	39,5	39,5	39,5	39,5
Wymiary									
Wysokość	mm	650	650	650	650	650	650	490	490
Szerokość	mm	605	780	955	1130	1305	1480	1130	1480
Głębokość	mm	275	275	275	275	275	275	275	275
Masy									
Masa	kg	32	40	48	56	64	72	55	71
Masa (z wkładami akumulującymi ciepło)	kg	118	169	220	271	322	373	189	259
Wykonania									
Kolor		Biały alpejski	Biały alpejski	Biały alpejski	Biały alpejski	Biały alpejski	Biały alpejski	Biały alpejski	Biały alpejski
Parametry									
Redukcja ładowania 4-stopniowa		100/90/80/70	100/90/80/70	100/90/80/70	100/90/80/70	100/90/80/70	100/90/80/70	100/90/80/70	100/90/80/70
Zdolność gromadzenia ciepła	%	47	52	55	56	59	60	49	50
Poziom hałasu	dB(A)	30	32	33	34	34	34	34	35
Kwestie handlowe									
Ilość pakietów wkładów akumulujących ciepło		6	9	12	15	18	21	10	14

SHS

		SHS 1200	SHS 1800	SHS 2400	SHS 3000	SHS 3600	SHS 4200	SHS 4800
		200181	200182	200183	200184	200185	200186	200187
Dane elektryczne								
Moc przyłączeniowa	W	1200	1800	2400	3000	3600	4200	4800
Napięcie znamionowe	V	400	400	400	400	400	400	400
Fazy		3/N/PE	3/N/PE	3/N/PE	3/N/PE	3/N/PE	3/N/PE	3/N/PE
Częstotliwość	Hz	50/-	50/-	50/-	50/-	50/-	50/-	50/-
Ładowanie znamionowe	kWh	9,6	14,4	19,2	24,0	28,8	33,6	38,4
Elektryczne ogrzewanie dodatkowe	kW	0,35	0,50	0,80	1,00	1,20	1,50	1,70
Dane energetyczne								
Roczny współczynnik wykorzystania ogrzewania pomieszczeń η_s	%	39,5	39,5	39,5	39,5	39,5	39,5	39,5
Wymiary								
Wysokość	mm	546	546	546	546	546	546	546
Szerokość	mm	580	741	902	1063	1224	1385	1546
Głębokość	mm	218	218	218	218	218	218	218
Masy								
Masa	kg	24	30	37	43	50	57	63
Masa (z wkładami akumulującymi ciepło)	kg	74	106	138	169	201	233	265
Wykonania								
Kolor		Biały alpejski	Biały alpejski	Biały alpejski	Biały alpejski	Biały alpejski	Biały alpejski	Biały alpejski
Parametry								
Redukcja ładowania 4-stopniowa		100/90/80/70	100/90/80/70	100/90/80/70	100/90/80/70	100/90/80/70	100/90/80/70	100/90/80/70
Zdolność gromadzenia ciepła	%	39	44	46	48	49	51	51
Poziom hałasu	dB(A)	29	28,5	31	32	32	32	32
Kwestie handlowe								
Ilość pakietów wkładów akumulujących ciepło		6	9	12	15	18	21	24

Gwarancja

Urządzeń zakupionych poza granicami Niemiec nie obejmują warunki gwarancji naszych niemieckich spółek. Ponadto w krajach, w których jedna z naszych spółek córek jest dystrybutorem naszych produktów, gwarancji może udzielić wyłącznie ta spółka. Taka gwarancja obowiązuje tylko wówczas, gdy spółka-córka sformułowała własne warunki gwarancji. W innych przypadkach gwarancja nie jest udzielana.

Nie udzielamy gwarancji na urządzenia zakupione w krajach, w których żadna z naszych spółek córek nie jest dystrybutorem naszych produktów. Ewentualne gwarancje udzielone przez importera zachowują ważność.

Ochrona środowiska i recycling

- ▶ Urządzenia i materiały po ich wykorzystaniu należy utylizować zgodnie z krajowymi przepisami.



- ▶ Jeśli na urządzeniu znajduje się symbol określonego pojemnika na odpady, w celu ponownego użycia i utylizacji urządzenie należy przekazać do komunalnych punktów zbiórki lub punktów odbioru w sieci sprzedaży.



PAP

Ten dokument został wydrukowany na papierze nadającym się do recyklingu.

- ▶ Po wycofaniu urządzenia z eksploatacji dokument należy zutylizować zgodnie z krajowymi przepisami.

KÜLÖNLEGES TUDNIVALÓK

KEZELÉS

1. Általános tudnivalók	145
1.1 Biztonsági tudnivalók	145
1.2 A dokumentumban használt egyéb jelölések	146
1.3 A készüléken található tudnivalók	146
1.4 Mértékegységek	146
1.5 Ábrák:	146
2. Biztonság	146
2.1 Rendeltetésszerű használat	146
2.2 Általános biztonsági tudnivalók	146
2.3 Tanúsítvány	147
3. A készülék leírása	147
4. Kezelés	147
4.1 Kezelőegység	147
4.2 Hőtárolás	148
4.3 Hőleadás	149
5. Beállítások beépített helyiséghőmérséklet-szabályzó esetén	149
5.1 Alapkijelző	149
5.2 Alapmenü	150
5.3 Konfigurációs menü	150
6. Beállítások falra szerelt helyiséghőmérséklet-szabályzó esetén	152
6.1 Alapkijelző	152
6.2 Alapmenü	152
6.3 Konfigurációs menü	152
7. Tisztítás, ápolás és karbantartás	153
7.1 A szűrőbetét tisztítása	153
8. Hibaelhárítás	153

TELEPÍTÉS

9. Biztonság	154
9.1 Általános biztonsági tudnivalók	154
9.2 Előírások, szabványok és rendelkezések	154
10. A készülék leírása	154
10.1 Működési elv	154
10.2 Szállítási készlet	155
10.3 Tartozékok	155
11. Előkészületek	155
11.1 Telepítés helye	155
11.2 Minimális távolságok	155
12. Szerelés	155
12.1 A készülék felnyitása	155
12.2 A feltöltés-szabályozás beállítása	156
12.3 Hálózati csatlakozó / csatlakozóvezetékek	156
12.4 Elektromos csatlakoztatás	157
12.5 Padlón álló kivitel	157
12.6 SHS szerelési változatok	158
12.7 A hőtároló kövek behelyezése	158
12.8 A készülék tisztítása	159
12.9 A készülék lezárása	159

13. Konfigurációs menü	160
14. Üzembe helyezés	162
14.1 Üzembe helyezés előtti ellenőrzés	162
14.2 Első üzembe helyezés	162
15. A készülék átalakítása	162
16. A készülék átadása	162
17. Hibaelhárítás	163
17.1 Üzemzavar-elhárítási táblázat	163
17.2 A típustábla szimbólumai	164
18. Karbantartás és tisztítás	164
19. Műszaki adatok	165
19.1 Méretek és csatlakozók	165
19.2 Elektromos kapcsolási rajz	167
19.3 A csatlakozási teljesítmény csökkentése a feltöltés névleges időtartamának növelésével	168
19.4 A csatlakozási teljesítmény csökkentése a feltöltés névleges időtartamának megtartásával	168
19.5 Energiafogyasztási adatok	169
19.6 Adattábla	170

GARANCIA

KÖRNYEZETVÉDELEM ÉS ÚJRAHASZNOSÍTÁS

KÜLÖNLEGES TUDNIVALÓK

- Őrizze meg a kezelési és telepítési útmutatót, hogy szükség esetén bármikor belenézhesen.
- A készülék távol tartandó 3 évnél fiatalabb gyermekektől, ha állandó felügyeletük nem biztosított.
- Ezt a készüléket 3 - 7 éves gyermekek csak megfelelő felügyelet mellett, illetve a készülék biztonságos használatával kapcsolatos alapvető utasítások és a kapcsolódó veszélyek ismeretében kapcsolhatják be vagy ki. Ehhez a készüléket az előírásoknak megfelelően kell felszerelni. 3 ... 7 éves gyermekek nem szabályozhatják a készüléket.

- Ezt a készüléket 8 éves kort betöltött gyermekek, valamint testileg, érzékszervileg vagy szellemileg korlátozott, nem hozzáértő és a terméket nem ismerő személyek csak megfelelő felügyelet mellett, illetve a készülék biztonságos használatával kapcsolatos alapvető utasítások és a kapcsolódó veszélyek ismeretében használhatják.
- Gyermekek nem játszhatnak a készülékkel. Gyermekek tisztítást és felhasználói karbantartást felügyelet nélkül nem végezhetnek.
- A készülék alkatrészei nagyon felforrósodhatnak és égési sérülést okozhatnak. Gyermekek és védelemre szoruló személyek jelenléte esetén különleges óvatossággal kell eljárni.
- Az első feltöltéskor szagosodás jelentkezhet. Gondoskodjon a helyiség megfelelő szellőzéséről.
- Tartsa be a szomszédos tárgyak felületeihez vagy egyéb éghető anyagokhoz viszonyított minimális távolságokat (lásd a „Telepítés / Minimális távolságok“ c. fejezetet).
- A túlmelegedés elkerülése érdekében ne takarja le a készüléket!
- A készülékre vagy annak közvetlen közelébe semmilyen tárgyat ne helyezzen! A készülékre semmilyen tárgyat ne helyezzen!
- Ne helyezze a készüléket közvetlenül fali csatlakozóaljzat alá.
- Vegye figyelembe a „Műszaki adatok / Adattábla“ c. fejezetben feltüntetett névleges töltési értékeket.
- A készüléket úgy szerelje fel, hogy a kapcsoló- és szabályozó berendezéseket a fürdőkádban vagy a zuhany alatt tartózkodó személy ne tudja megérinteni.
- A készüléket csak fixen csatlakoztatva szabad a hálózatra kapcsolni. A készüléket egy minden pólusnál legalább 3 mm-es leválasztó szakasszal le kell tudni választani a hálózatról.
- A készüléket a „Telepítés/Szerelés“ c. fejezetben leírtak szerint erősítse fel.
- A készülék telepítését, üzembe helyezését, karbantartását és javítását csak szakképzett szakember végezheti el a jelen útmutatónak megfelelően.
- A sérült hőszigetelések a burkolat túlmelegedését okozhatják. Ha a hőszigetelés egyes részein sérüléseket vagy változásokat észlel, cserélje ki ezeket az alkatrészeket.
- A készülék stabilitásának biztosítása érdekében a készüléket csak sík felületre helyezze. Kerülje az egyenetlen padlófelületeket, például a részben a készülék alá benyúló szőnyegek vagy csempék okozta egyenetlenségeket.

KEZELÉS

1. Általános tudnivalók

A „Különleges tudnivalók“, valamint a „Kezelés“ c. fejezet a felhasználóknak és a szakszerelőknek szól.

A „Telepítés“ c. fejezet a szakszerelőknek szól.



Tudnivaló

Használat előtt figyelmesen olvassa el és őrizze meg ezt az útmutatót..

Ha a készüléket továbbadja, akkor az útmutatót is adja át a következő felhasználónak.

1.1 Biztonsági tudnivalók

1.1.1 A biztonsági tudnivalók felépítése



JELZŐSZÓ A veszély jellege

Itt a biztonsági tudnivalók figyelmen kívül hagyásából adódó lehetséges következmények találhatók.

► Itt a veszély elhárításához szükséges intézkedések találhatók.

1.1.2 Szimbólumok, a veszély jellege

Szimbólum	A veszély jellege
	Sérülés
	Áramütés
	Égési sérülés (Égési sérülés, forrázás)

1.1.3 Jelzőszavak

JELZŐSZÓ	Jelentése
VESZÉLY	Olyan tudnivalók, amelyek figyelmen kívül hagyása sérüléshez vagy halálhoz vezet.
FIGYELMEZTETÉS	Olyan tudnivalók, amelyek be nem tartása súlyos vagy halálos sérüléseket okozhat.
VIGYÁZAT	Olyan tudnivalók, amelyek figyelmen kívül hagyása közepesen súlyos vagy könnyű sérülésekhez vezethet.

1.2 A dokumentumban használt egyéb jelölések



Tudnivaló

Az általános tudnivalókat a mellettük lévő szimbólumok jelölik.

► Gondosan olvassa el ezt a fejezetet.

Szimbólum	Jelentése
	Anyagi kár (a készülék sérülése, közvetett kár, környezeti kár)
	A készülék ártalmatlanítása

► Ez a szimbólum teendőkre utal. A szükséges műveleteket lépésről lépésre ismertetjük.

1.3 A készüléken található tudnivalók

Szimbólum	Jelentése
	A készüléket tilos lefedni.

1.4 Mértékegységek



Tudnivaló

Egyéb előírás híján a méretek mm-ben értendők.

1.5 Ábrák:

A dokumentációban látható ábrák példaként szolgálnak és eltérhetnek a tényleges készüléktípustól.

2. Biztonság

2.1 Rendeltetésszerű használat

Ez a készülék lakóterek felmelegítésére szolgál.

A készülék háztartási környezetben történő használatra készült. A készülék betanítás nélkül is biztonságosan használható. A készülék nem háztartási környezetben – pl. kisiparban – is használható, amennyiben a felhasználás módja azonos.

Más jellegű vagy ettől eltérő felhasználás nem minősül rendeltetésszerűnek. A rendeltetésszerű használathoz tartozik a jelen útmutató, valamint a használt tartozékok útmutatóinak figyelembe vétele is.

2.2 Általános biztonsági tudnivalók

Vegye figyelembe a következő biztonsági tudnivalókat és előírásokat.

- A villanszerelési munkákat és a készülék telepítését csak szakszerelők vagy ügyfélszolgálati technikusaink végezhetik az ebben az útmutatóban foglaltak szerint.
- Szerelés közben és az első üzembe helyezés alkalmával a szakszerelő felelős az érvényes előírások betartásáért.
- A készüléket csak teljesen felszerelve és annak összes biztonsági berendezésével együtt üzemeltesse.



FIGYELMEZTETÉS Sérülés

- A készülék távol tartandó 3 évnél fiatalabb gyermekektől, ha állandó felügyeletük nem biztosított.
- Ezt a készüléket 3 – 7 éves gyermekek csak megfelelő felügyelet mellett, illetve a készülék biztonságos használatával kapcsolatos alapvető utasítások és a kapcsolódó veszélyek ismeretében kapcsolhatják be vagy ki. Ehhez a készüléket az előírásoknak megfelelően kell felszerelni. 3 ... 7 éves gyermekek nem szabályozhatják a készüléket.
- Ezt a készüléket 8 éves kort betöltött gyermekek, valamint testileg, érzékszervileg vagy szellemileg korlátozott, nem hozzáértő és a terméket nem ismerő személyek csak megfelelő felügyelet mellett, illetve a készülék biztonságos használatával kapcsolatos alapvető utasítások és a kapcsolódó veszélyek ismeretében használhatják.
- Gyermekek nem játszhatnak a készülékkel. Gyermekek tisztítást és felhatalmazott karbantartást felügyelet nélkül nem végezhetnek.



FIGYELMEZTETÉS Égési sérülés

Ne működtesse a készüléket...

- ha a szomszédos tárgyak felületeihez vagy egyéb éghető anyagokhoz viszonyított távolságok nem érik el a megadott minimális értékeket.
- olyan helyiségekben, amelyekben vegyszerek, por, gázok vagy gőzök jelenléte miatt tűz- vagy robbanásveszély áll fenn. Feltöltés előtt alaposan szellőztesse ki a helyiséget.
- éghető vagy robbanásveszélyes anyagot továbbító vagy tartalmazó vezetékek és tartályok közvetlen közelében.
- ha a felállítás helyiségében olyan munkálatokat végeznek, mint csőfektetés, köszörülés vagy tömítés.
- ha a készülék valamely alkatrésze megsérült, illetve meghibásodott.



FIGYELMEZTETÉS Égési sérülés

- Ne tegyen éghető, gyúlékony vagy hőszigetelő hatású tárgyakat, illetve anyagokat a készülékre vagy annak közvetlen közelébe. A készülékre semmilyen tárgyat ne helyezzen! Ellenkező esetben a hő felgyülemelésével a készülékház felülete és a tárgyak rendkívül felmelegedhetnek.
- Vigyázzon, nehogy eltömődjön a levegő be- és kivezető nyílása.
- Ne dugjon tárgyakat a készülék és a fal közé.

A készülék leírása



VIGYÁZAT Égési sérülés

A készülék házának felülete és a kilépő levegő üzem közben igencsak felforrósodhat (80 °C-nál magasabb hőmérsékletre), ami égési sérülést okozhat. Gyermekek és védelemre szoruló személyek jelenléte esetén különleges óvatossággal kell eljárni.



VIGYÁZAT Túlmelegedés

A túlmelegedés elkerülése érdekében ne takarja le a készüléket!

2.3 Tanúsítvány

Lásd a készülék típusabláját. A típustábla a készülék bal oldali oldalfalán található.

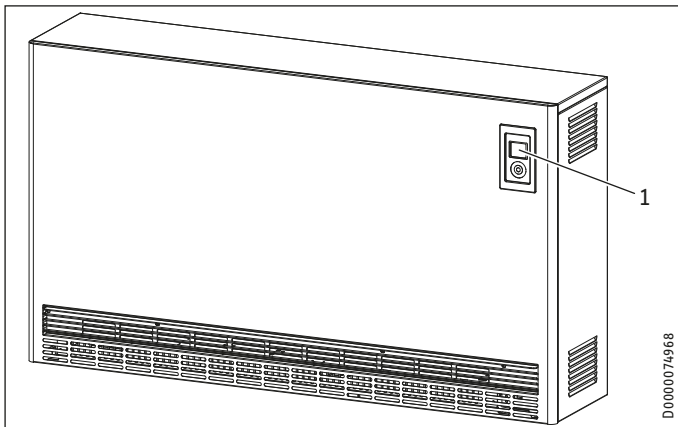
3. A készülék leírása

Ez a készülék elektromos úton létrehozott hő tárolását biztosítja. A hő elektromos úton való előállítás a kedvező alacsony tarifájú áramszolgáltatás engedélyezett időszakában történik.

Az engedélyezett időszakok a mindenkori áramszolgáltatótól függenek. Az engedélyezett időszakok túlnyomórészt az éjszakai órákra esnek.

A helyiség kívánt hőmérsékletének megfelelően a tárolt hő leadása meleg levegő formájában, ventilátor segítségével történik, illetve annak egy csekély részét a készülék felülete adja le.

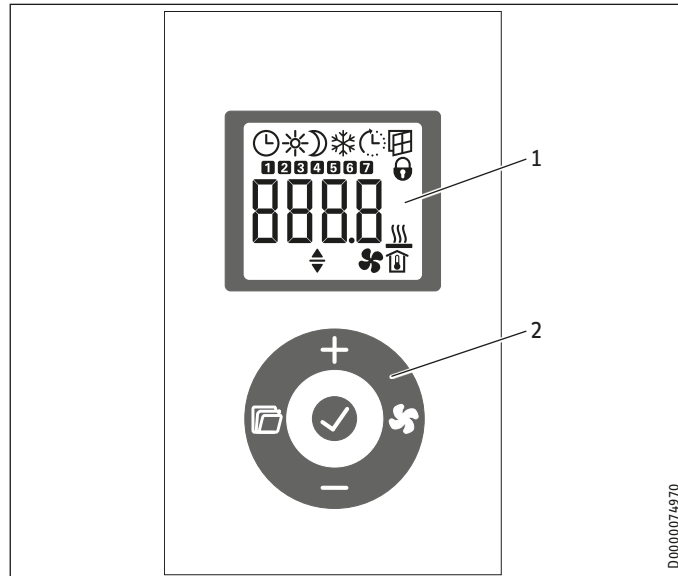
4. Kezelés



1 Kezelőegység

4.1 Kezelőegység

A kezelés a kezelőegység segítségével történik, amely az előlap jobb felső részén található.



- 1 Kijelző
- 2 Kezelőfelület

4.1.1 Kezelőfelület

Nyomógomb	Megnevezés	Leírás
	„Ventilátor“ nyomógomb	Ventilátor engedélyezésének be- és kikapcsolása
	„OK“ nyomógomb	Kiválasztás; a beállítások nyugtázása
	„Menü“ nyomógomb	A menü behívása és kilépés a menüből
	„+“ nyomógomb	Menüpontok behívása; beállítások módosítása
	„-“ nyomógomb	Menüpontok behívása; beállítások módosítása

4.1.2 Kijelző












Ha a kezelő 30 mp-en keresztül semmilyen műveletet nem végez, akkor a háttérvilágítás kikapcsolódik. Tetszőleges nyomógomb lenyomásával a háttérvilágítás visszakapcsolható.

Szimbólumok



Tudnivaló

Ha a hőleadást (ürítés) falra szerelt helyiség hőmérséklet-szabályzó szabályozza, akkor a kijelzőn nem minden szimbólum lesz látható.

Szimbólum	Leírás
	Időkijelző: Az aktuális pontos idő vagy a beprogramozott indítási időpont kijelzése Programozott üzemmód: A készülék az aktivált időprogramnak megfelelően fűt.
	Kényelmi üzemmód: A készülék tartja a beállított kényelmi hőmérsékletet. Szabványos érték: 21,0 °C. Ezt a beállítást komfortos helyiség-hőmérsékletekhez használhatja jelenlét esetén.
	Csökkentett üzemmód: A készülék tartja a beállított csökkentett hőmérsékletet. Szabványos érték: 18,0 °C. Ezt a beállítást például éjszaka vagy néhány órás távollét esetén használhatja.
	Adaptív indítás: Időzítő üzemmódban a fűtőkészülék bekapcsolási idejeit a vezérlés úgy állítja be, hogy már a beprogramozott indítási időpontban biztosított legyen a helyiség mindenkori beállított hőmérséklet-alapjelenék megfelelő értéke. Előfeltétel: Az „Adaptív indítás” funkció be van kapcsolva (lásd a „Beállítások beépített helyiség-hőmérséklet-szabályzó esetén / Alapmenü” című fejezetet).
	Nyitott ablak észlelése: A szellőztetés közbeni energiapazarlás elkerülése érdekében a készülék a helyiség beállított hőmérséklet-alapjelét egyórányi időtartamra automatikusan 7,0 °C-ra csökkenti. A „Nyitott ablak észlelése” szimbólum villog. A szellőztetés után az ablaknyitás-felismerés a „+” vagy „OK” nyomógomb megnyomásával manuálisan is kikapcsolható. A készülék ismét felfűti a helyiséget a beállított alapjelenék megfelelő hőmérsékletre. Előfeltétel: Az „Ablaknyitás-érzékelés” funkció be van kapcsolva (lásd a „Beállítások beépített helyiség-hőmérséklet-szabályzó esetén / Alapmenü” című fejezetet).
	Kezelés letiltása: A kezelőfelület letiltásához, illetve a letiltás feloldásához 5 mp-en keresztül egyidejűleg lenyomva kell tartani a „+” és a „-” gombot.
	Kiegészítő fűtés (tartozék) engedélyezése: Ha egy helyiség felfűtéséhez a tároló hőmennyisége nem elegendő, akkor a kiegészítő fűtés is besegít a fűtésbe.
	A helyiség-hőmérséklet kijelzése
	Ventilátor engedélyezése bekapcsolva: Ha a helyiség-hőmérséklet a helyiség beállított hőmérséklet-alapjele alá süllyed, akkor a ventilátor bekapcsolódik, és addig fújja a felmelegített levegőt a helyiségbe, amíg a helyiség hőmérséklete el nem éri a beállított értéket.
	Szerkeszthető paraméter: A kijelzett paraméter a „+” és a „-” gombbal módosítható.
	A hét napjai: 1 = hétfő, 2 = kedd...7 = vasárnap

4.2 Hőtárolás

A feltöltés-szabályozás segítségével lehet meghatározni a hőtárolás (feltöltés) mértékét.

A feltöltés-szabályozás beállítása attól függ, hogy központi időjárás-vezérelt feltöltés-vezérléssel rendelkező vagy a nélküli készüléket használnak-e.

Az időjárás-vezérelt feltöltés-vezérlés a kapcsolószekrényben található.

4.2.1 Időjárás-vezérelt feltöltés-vezérléssel rendelkező készülékek

- ▶ Az alapmenü „Menü” gombjával hívja be a feltöltöttség-csökkentőt (lásd a „Beállítások beépített helyiség-hőmérséklet-szabályzó esetén / Alapmenü” c. fejezet).
- ▶ Nyomja le az „OK” gombot. Amint megjelenik a „Szerkeszthető paraméter” szimbólum, a „+” és a „-” gombbal állítsa a feltöltöttség-csökkentő értékét 100%-ra.



Tudnivaló

Ha a hőleadást (ürítés) falra szerelt helyiség-hőmérséklet-szabályzó szabályozza, akkor a „+” és a „-” gombbal állítsa be a feltöltöttség-csökkentőt a normál kijelzőn.

Az időjárás-vezérelt feltöltés-vezérlés gondoskodik a szabályos feltöltésről.



Tudnivaló

Erre vonatkozóan vegye figyelembe a feltöltés-vezérlés vagy a többkészülékes vezérlés útmutatóját.

Az egyes készülékek eltérő szabályozása céljából a feltöltöttség-csökkentő segítségével a feltöltési mennyiség manuálisan szabályozható.

Ha a feltöltöttség-csökkentőt 0%-ra állítja, akkor nem történik feltöltés.

4.2.2 Időjárás-vezérelt feltöltés-vezérlés nélküli készülékek

Időjárás-vezérelt feltöltés-vezérlés nélküli feltöltés esetén két lehetőség közül lehet választani.

Feltöltésszabályozás a feltöltöttség-csökkentő által

A feltöltési mennyiség a feltöltöttség-csökkentőn keresztül állítható be.

- ▶ Az alapmenü „Menü” gombjával hívja be a feltöltöttség-csökkentőt (lásd a „Beállítások beépített helyiség-hőmérséklet-szabályzó esetén / Alapmenü” c. fejezet).
- ▶ Nyomja le az „OK” gombot. Amint megjelenik a „Szerkeszthető paraméter” szimbólum, a „+” és a „-” gombbal állítsa be a feltöltöttség-csökkentő értékét.



Tudnivaló

Ha a hőleadást (ürítés) falra szerelt helyiség-hőmérséklet-szabályzó szabályozza, akkor a „+” és a „-” gombbal állítsa be a feltöltöttség-csökkentőt a normál kijelzőn.

A következő irányadó értékek érvényesek:

Érték	Feltöltési mennyiség
0 %	nincs feltöltés (nyáron)
30 %	átmeneti időszakokban (pl. tavasz vagy ősz) a teljes feltöltés kb. 1/3 része
70 %	enyhe téli napokon a teljes feltöltés kb. 2/3 része
100 %	hideg téli napokon teljes feltöltés

Rövid hozzászokási időszakot követően kellő tapasztalatot szerezhetünk a készülék mindenkori megfelelő beállításához.

Helyiséghőmérséklet-vezérlésű feltöltésszabályozás (C-PLUS TECHNOLOGY)

A helyiséghőmérséklet-vezérlésű feltöltésszabályozás a feltöltési mennyiséget automatikusan a helyiség hőszükségletéhez igazítja. A szükséges feltöltési mennyiség a helyiséghőmérséklettől, a ventilátor működésétől és a készülék maradék töltésszintjétől függően kerül meghatározásra. A cél, hogy a nap végén még épp elegendő hőmennyiség maradjon a beállított helyiséghőmérséklet fenntartásához.

Tudnivaló

- Biztosítani kell a készülék folyamatos áramellátását.
- A feltöltés engedélyezése történhet az EVU LF jellel (az LF jelet be kell kötni) vagy a Konfigurációs menü P15 paraméterével kiválasztható belső időjel alapján.
- A ventilátorengedélyezésnek mindig kötelező bekapcsolva kell lennie.
- Az első üzembe helyezéskor és legalább 8 órás áramkimaradás esetén a feltöltés 60 %-os lesz.
- A helyiséghőmérséklet-vezérlésű feltöltésszabályozás a helyiségben fennálló körülményektől függ. A napsugárzás és a kedvezőtlen időjárási körülmények adott esetben kihatnak a feltöltési mennyiségre.
- Az optimális feltöltési mennyiség meghatározása néhány napot is igénybe vehet.
- Ha a készülék hosszabb időn keresztül csökkentett üzemmódban volt (pl. távollét esetén), a kényelmi üzemmódot 1-2 napos előrefutással aktiválni kell.
- Ha a hőleadást (ürítést) falra szerelt helyiséghőmérséklet-szabályzó szabályozza, akkor a kényelem csorbát szenvedhet. A készülék nem kap információt a helyiség-hőmérsékletéről. Javasolt beépített helyiség-hőmérséklet-szabályzót használni.

Ha a helyiségben esténként túl meleg van, a feltöltöttség-csökkenéssel lejjebb veheti a készülék energiaszintjét.

Tudnivaló

Helyiséghőmérséklet-vezérlésű feltöltésszabályozás esetén a feltöltöttség-csökkentő működése jelentősen eltér a „Hőtárolás / Feltöltésszabályozás a feltöltöttség-csökkentőn keresztül” c. fejezetben leírtaktól. 0%-os beállítás esetén is sor kerülhet feltöltésre.

- ▶ Az alapmenü „Menü” gombjával hívja be a feltöltöttség-csökkentőt (lásd a „Beállítások beépített helyiséghőmérséklet-szabályzó esetén / Alapmenü” c. fejezet).
- ▶ Nyomja le az „OK” gombot. Amint megjelenik a „Paraméter szerkeszthető” szimbólum, a „+” és a „-” gombbal állítsa be a feltöltöttség-csökkentőt.

Ha a helyiségben nincs további fűtésigény, akkor a rendszer a feltöltési mennyiséget fokozatosan nullára csökkenti. Ha a helyiségben ismét hőszükséglet keletkezik, akkor a készülék újra tölteni kezd.

4.3 Hőleadás

A hőleadást (ürítést) a készülékbe integrált vagy falra szerelt két-pontos helyiséghőmérséklet-szabályzó (lásd a „További tartozékok” c. fejezetet) szabályozza.

A helyiséghőmérséklet-szabályzó automatikusan szabályozza a ventilátor általi hőleadást, ami biztosítja a helyiség-hőmérséklet beállított alapjelének fenntartását. A ventilátor működéséhez a ventilátor engedélyezésnek bekapcsolva kell lennie.

Tudnivaló

A fűtési időszakban, többnapos távollét esetén célszerű csökkentett helyiség-hőmérsékletet (például 10 °C) beállítani. Ezzel a beállítással megakadályozható a helyiség túlzott lehűlése (fagyvédelem).

4.3.1 Ventilátorengedélyezésének be- és kikapcsolása

- ▶ A ventilátorengedélyezés be- és kikapcsolásához nyomja meg a „Ventilátor” nyomógombot. Ha a ventilátorengedélyezés be van kapcsolva, akkor a kijelzőn megjelenik a „Ventilátor” szimbólum.

Tudnivaló

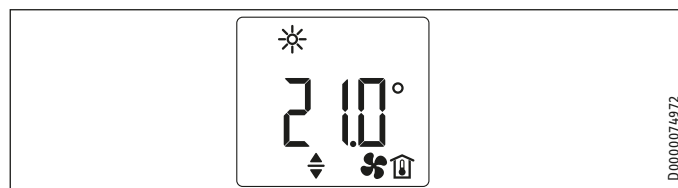
Helyiséghőmérséklet-vezérlésű feltöltésszabályozás esetén a ventilátorengedélyezésnek mindig kötelező bekapcsolva lennie.

5. Beállítások beépített helyiséghőmérséklet-szabályzó esetén

Az áramellátás megszakítását követően minden beállítás megmarad. A készülék tartalék áramellátással rendelkezik, amely néhány órára biztosítja a hét napja és a pontos idő megőrzését.

Tudnivaló

Több mint 8 órás feszültségkimaradás esetén az áramellátás helyreállítását követően a készüléken be kell állítania a napot és a pontos időt. A kijelzőn a „- :- -“ villog. Aktivált kezelés-letiltás a kezelőfelület blokkolásának feloldásához 5 mp-en keresztül tartsa egyidejűleg lenyomva a „+” és a „-” gombot.

5.1 Alap kijelző

Az alap kijelző állandóan látható. Ha a menüben tartózkodva a kezelő 30 mp-nél hosszabb ideig semmilyen műveletet nem végez, akkor a készülék automatikusan átkapcsol az alap kijelzőre.

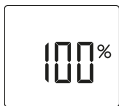
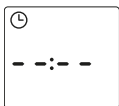






Az alap kijelzőn a helyiség aktuális hőmérséklet-alapjele, valamint a „Szerkeszthető paraméter” szimbólum látható. A „+” vagy a „-” gombbal módosítható a helyiség hőmérséklet-alapjele.

Ha a helyiség beállított hőmérséklet-alapjele megegyezik a kényelmi vagy csökkentett hőmérséklet egyik beállított értékével, akkor a menüsorban megjelenik a megfelelő üzemmód (kényelmi üzemmód, csökkentett üzemmód) szimbóluma.

A helyiség hőmérséklet-alapjele programozott üzemmódban is módosítható manuálisan. A helyiség módosított hőmérséklet-alapjele érvényben marad a következő beprogramozott kapcsolási időpontig.

5.2 Alapmenü

Az alapmenübe a „Menü” gomb rövid lenyomásával léphetünk. A következő menüpontokat lehet behívni:

Kijelző	Leírás
	A feltöltöttség-csökkentő beállítása A kisebb hőszükségletű napokon 10%-os lépésekben kézzel beállítható a feltöltési mennyiség.
	A hét napja és a pontos idő beállítása A hét napjai: 1 = hétfő ... 7 = vasárnap
	A kényelmi hőmérséklet beállítása A kényelmi hőmérsékletet a csökkentett hőmérsékletnél legalább 0,5 °C-kal magasabbra kell állítani.
	A csökkentett hőmérséklet beállítása A csökkentett hőmérsékletet a komforthőmérsékletnél legalább 0,5 °C-kal alacsonyabbra kell állítani.
	A „Nyitott ablak észlelése” funkció be- és kikapcsolása
	Az időprogram (Pro1, Pro2, Pro3) kiválasztása vagy kikapcsolása (off)
	Az „Adaptív indítás” funkció be- és kikapcsolása
	Kiegészítő fűtés (tartozék) be- és kikapcsolása A kijelző csak akkor jelenik meg, ha van telepített és aktivált kiegészítő fűtés.

Ha módosítani szeretné egy menüpont beállítását, akkor hívja be a megfelelő menüpontot a „+” és a „-” gombbal. Nyomja le az „OK” nyomógombot.

Amint megjelenik a „Szerkeszthető paraméter” szimbólum, módosítani lehet a menüpont beállítását a „+” és az „-” gombbal. A beállítások mentéséhez nyomja le az „OK” gombot.

Az alapmenüből való kilépéshez nyomja le a „Menü” gombot. Megjelenik a normál kijelző.

5.3 Konfigurációs menü

Kijelző	Leírás
I1-I2	Tényleges értékek
Pro1-Pro3	Időprogramok
P1-P5	Paraméterek
CodE	Hozzáférés szakember számára

A konfigurációs menüben behívhatók a tényleges értékek, programozhatók az időprogramok a programozott üzemmódhoz és beállíthatók a paraméterek.

A konfigurációs menübe a „Menü” gomb lenyomva tartásával léphetünk. Kb. 3 mp elteltével megjelenik az I1 tényleges érték.

A „+” és a „-” gombokkal átkapcsolhatunk az egyes tényleges értékek, időprogramok és paraméterek között.

A konfigurációs menüből való kilépéshez nyomja le a „Menü” gombot. Megjelenik a normál kijelző.

5.3.1 Tényleges értékek

A következő tényleges értékeket lehet behívni:

Kijelző	Leírás	Egység
I1	A helyiség-hőmérséklet tényleges értéke	[°C] [°F]
I2	A fűtés relatív időtartama (a P5 paraméter segítségével le lehet nullázni a számlálót).	[óra]



Tudnivaló

A fűtés relatív időtartamának (I2) számlálója teljes üzemmórában kifejezve számlálja az időtartamot. Ha a készülék egy teljes órán keresztül (nem feltétlen egyhuzamban) fel van töltve, akkor a számláló ugrik egyet.

5.3.2 Időprogramok

Programozott üzemmódban a készülék három időprogrammal használható. A Pro1 és a Pro2 időprogramokat gyárilag előzetesen konfigurálták. A Pro3 időprogramot az egyéni igényeknek megfelelően lehet beállítani.

Kijelző	Leírás
Pro1	„Naponta” időprogram - Ismétlődés: Hétfőtől vasárnapig
Pro2	„Munkanapokon” időprogram - Ismétlődés: Hétfőtől péntekig
Pro3	„Felhasználó által definiált” időprogram - 14 kényelmi időszakig bezárólag tetszőlegesen konfigurálható.



Tudnivaló

A programozott üzemmód használatához az alapmenüben ki kell választani a kívánt időprogramot (lásd a „Beállítások beépített helyiség-hőmérséklet-szabályzó esetén / Alapmenü” című fejezetet).



Tudnivaló

Az időprogramok beállításakor ügyeljen a hét napja és a pontos idő szabályos beállítására.

**Tudnivaló**

Valamennyi időprogramra (Pro1, Pro2, Pro3) nézve érvényes a következő szabály:

Ha a befejezési időpont 23:59-nél későbbre esik, akkor az automatikusan a hét következő napjára kerül beállításra. A kényelmi időszak éjfélén át tart; az a hét következő napján, a beállított befejezési időpontban fejeződik be.

Pro1 és Pro2 időprogramok

A Pro1 és Pro2 időprogramokkal a kényelmi üzemmód kezdési és befejezési időpontját lehet meghatározni. Ebben az időszakaszban a készülék felfűt a beállított kényelmi hőmérsékletre. Ezen meghatározott időszakon kívül a készülék csökkentett üzemmódban működik. Ebből adódik egy kényelmi és egy csökkentett hőmérsékletű fázis, amelyek naponta (Pro1), illetve minden munkanapon (Pro2) ismétlődnek.

Gyárilag ezeket az időszakokat a következőképpen konfigurálták:

- 8:00 óra - 22:00 óra: Kényelmi üzemmód
- 22:00 óra - 08:00 óra: Csökkentett üzemmód

**Tudnivaló**

Ha aktiválták a Pro2 időprogramot, akkor a készülék hétvégén kizárólag csökkentett üzemmódban működik.

A Pro1 és a Pro2 időprogramot a következőképpen lehet az egyéni igényekhez igazítani:

- ▶ A konfigurációs menüben a „+” és a „-” gombokkal hívja be a kívánt időprogramot.
- ▶ Nyomja le az „OK” nyomógombot.
A kijelzőn látható a kényelmi üzemmód kezdési időpontja.
- ▶ A „+” és a „-” gombbal állítsa be a kívánt kezdési időpontot.
- ▶ Nyomja le az „OK” nyomógombot.
Megjelenik a kényelmi üzemmód befejezési időpontja.
- ▶ A „+” és a „-” gombbal állítsa be a kívánt befejezési időpontot.
- ▶ A beállított értékek mentéséhez nyomja le az „OK” gombot.

Pro3 időprogram

A Pro3 időprogrammal max. 14 külön kényelmi időszakot lehet meghatározni, amelyek hetenként ismétlődnek.

A Pro3 időprogramban a következőképpen lehet kényelmi időszakot konfigurálni:

- ▶ A konfigurációs menüben a „+” és a „-” gombbal hívja be a Pro3 időprogramot.
- ▶ Nyomja le az „OK” nyomógombot.
A kijelzőn „3---” látható.
- ▶ Nyomja le az „OK” nyomógombot.
Megjelenik a hét egy napja, illetve a hét napjainak csoportja.
- ▶ A „+” és a „-” gombokkal állítsa be a hét kívánt napját, illetve a hét napjainak megfelelő csoportját.
- ▶ Nyomja le az „OK” nyomógombot.
A kijelzőn látható a kényelmi üzemmód kezdési időpontja.
- ▶ A „+” és a „-” gombbal állítsa be a kívánt kezdési időpontot.
- ▶ Nyomja le az „OK” nyomógombot.
Megjelenik a kényelmi üzemmód befejezési időpontja.

- ▶ A „+” és a „-” gombbal állítsa be a kívánt befejezési időpontot.
- ▶ Nyomja le az „OK” nyomógombot.
A „3-01” kényelmi időszak konfigurálása befejeződött.
- ▶ További kényelmi időszak konfigurálásához a „+” és a „-” gombbal válassza a Pro3 időprogramot; a kijelzőn „3---” látható. Járjon el a fentiek szerint.

**Tudnivaló**

A beállított kényelmi időszakok gyári értékekre való visszaállításához válassza a P4 paramétert.

- ▶ Vegye figyelembe, hogy a P4 paraméter kiválasztásával az összes időprogram (Pro1, Pro2, Pro3) visszaáll a gyári program szerinti alaphelyzetbe.

5.3.3 Paraméterek

A következő paramétereket lehet behívni:

Kijelző	Leírás	Opciók
P1	Helyiséghőmérséklet-eltolás	± 3 °C ± 5 °F
P2	Időformátum	12 24 óra
P3	A hőmérséklet-kijelző mértékegysége	°C °F
P4	Időprogramok (programozott üzemmód) visszaállítás.	be ki
P5	A fűtés relatív időtartamának visszaállítása	be ki

Ha módosítani kívánja egy paraméter értékét, akkor hívja be azt a „+” és a „-” gombbal. Nyomja le az „OK” nyomógombot.

Amint megjelenik a „Szerkeszthető paraméter” szimbólum, a „+” és a „-” gombbal módosítani lehet a paraméter értékét. A beállított érték mentéséhez nyomja le az „OK” gombot.

P1: Helyiséghőmérséklet-eltolás

Ha nem egyenletes a hőmérséklet eloszlása a helyiségben, akkor eltérés adódhat az l1 kijelzett tényleges hőmérséklet és a helyiség mért hőmérséklete között. Az eltérés kiegyenlítése érdekében a P1 paraméter segítségével beállítható egy ± 3 °C helyiséghőmérséklet-eltolás.

Példa: A készüléken az l1 = 21,0 °C érték látható. A helyiség mért hőmérséklete 20,0 °C. 1,0 °C-os különbség áll fenn.

- ▶ A különbség kiegyenlítéséhez állítson be P1 = -1,0 eltolási értéket.

P2: Időformátum

A P2 paraméter segítségével lehet megadni, hogy a pontos idő 12 vagy 24 órás formátumban jelenjen meg.

P3: A hőmérséklet-kijelző mértékegysége

A P3 paraméter segítségével lehet meghatározni, hogy a helyiség-hőmérséklet kijelzése Celsius fokban [°C] vagy Fahrenheit fokban [°F] történjen.

P4: Időprogramok visszaállítása

A P4 paraméter aktiválásával az összes időprogram visszaállítható a gyári alapértékre.

P5: A fűtés relatív időtartamának visszaállítása

A P5 paraméter aktiválásával lenullázhatjuk a fűtés relatív időtartamának (I2) számlálóját.

5.3.4 Hozzáférés szakember számára

Kijelző	Leírás
CodE	Hozzáférés szakember számára

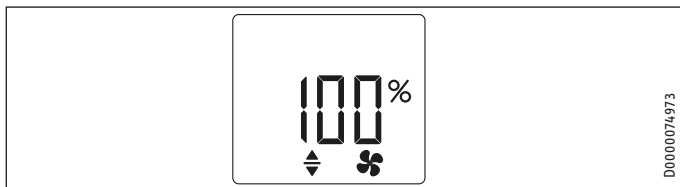
**Tudnivaló**

Bizonyos menüpontok kóddal védettek. Azok megtekintése és beállítása csak szakemberek számára engedélyezett.

6. Beállítások falra szerelt helyiség hőmérséklet-szabályzó esetén

**Tudnivaló**

Ha a hőleadást (ürítés) falra szerelt helyiség hőmérséklet-szabályzóval szabályozza, akkor a beszabályozási lehetőségek csak igen korlátozott mértékben fognak rendelkezésre állni.

6.1 Alapkijelző

Az alapkijelző állandóan látható. Ha a menüben tartózkodva a kezelő 30 mp-nél hosszabb ideig semmilyen műveletet nem végez, akkor a készülék automatikusan átkapcsol az alapkijelzőre.

A normál kijelzőn a feltöltöttség-csökkentő aktuális beállítása, valamint a „Szerkeszthető paraméter” szimbólum látható. A „+” és a „-” gombbal a kisebb hőszükségletű napokon a feltöltési mennyiséget 10%-os lépésközzel lehet kézilleg beállítani.

6.2 Alapmenü**Tudnivaló**

Az alapmenü csak akkor hívható elő, ha a készülék rendelkezik kiegészítő fűtéssel (tartozék).

Az alapmenübe a „Menü” gomb rövid lenyomásával léphetünk.

Kijelző	Leírás
---------	--------



A kiegészítő fűtés (tartozék) be- és kikapcsolása
A kiegészítő fűtésnek kiegészítő fűtés-kapcsolóval rendelkező, falra szerelt helyiség hőmérséklet-szabályzó esetén is az alapmenüben bekapcsolva kell lennie.

A menüpont beállításának módosításához nyomja le az „OK” nyomógombot.

Amint megjelenik a „Szerkeszthető paraméter” szimbólum, módosítani lehet a menüpont beállítását a „+” és a „-” gombbal. A beállítás mentéséhez nyomja le az „OK” nyomógombot.

Az alapmenüből való kilépéshez nyomja le a „Menü” gombot. Megjelenik a normál kijelző.

6.3 Konfigurációs menü

Kijelző	Leírás
I2	Tényleges érték
P5	Paraméterek
CodE	Hozzáférés szakember számára

A konfigurációs menübe a „Menü” gomb lenyomva tartásával léphetünk. Kb. 3 mp elteltével megjelenik az I2 tényleges érték.

A „+” és a „-” gombokkal átkapcsolhat az egyes tényleges értékek és paraméterek között.

A konfigurációs menüből való kilépéshez nyomja le a „Menü” gombot. Megjelenik a normál kijelző.

6.3.1 Tényleges érték

Kijelző	Leírás	Egység
I2	A fűtés relatív időtartama (a P5 paraméter segítségével le lehet nullázni a számlálót).	[óra]

**Tudnivaló**

A fűtés relatív időtartamának (I2) számlálója teljes üzemórában kifejezve számlálja az időtartamot. Ha a készülék egy teljes órán keresztül (nem feltétlen egyhuzamban) fel van töltve, akkor a számláló ugrik egyet.

6.3.2 Paraméterek

Kijelző	Leírás	Opciók
P5	A fűtés relatív időtartamának visszaállítása A paraméter aktiválásával lenullázhatjuk a fűtés relatív időtartamának (I2) számlálóját.	be ki

A paraméter beállításának módosításához nyomja le az „OK” nyomógombot.

Amint megjelenik a „Szerkeszthető paraméter” szimbólum, a „+” és a „-” gombbal módosítani lehet a paraméter beállítását. A beállítás mentéséhez nyomja le az „OK” nyomógombot.

6.3.3 Hozzáférés szakember számára

Kijelző	Leírás
CodE	Hozzáférés szakember számára

**Tudnivaló**

Bizonyos menüpontok kóddal védettek. Azok megtekintése és beállítása csak szakemberek számára engedélyezett.

7. Tisztítás, ápolás és karbantartás



Anyagi kár

- Ne permetezzen tisztító aeroszolt a légrésekbe.
- Vigyázzon, nehogy nedvesség kerüljön a készülékbe.

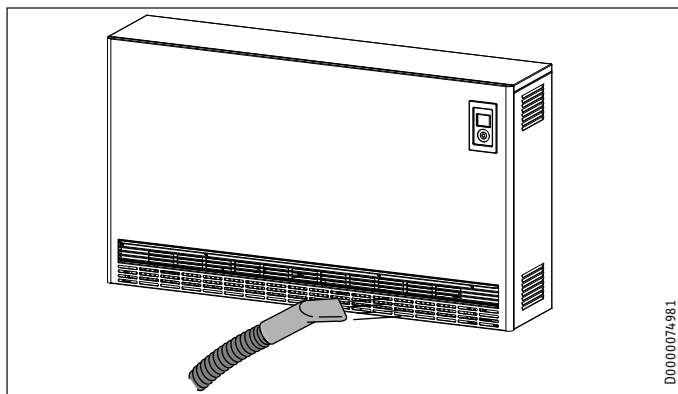
- Amennyiben a készülékházon halvány barnás elszíneződések jelennek meg, úgy azokat nedves ronggyal törölje le.
- A készüléket lehűlt állapotban tisztítsa, szokványos tisztítószerekkel. Kerülje a súroló és maró hatású szereket.

7.1 A szűrőbetét tisztítása



Tudnivaló

Rendszeresen tisztítsa meg a levegőbevezetés mögött található szűrőbetétet. Ezáltal biztosítható a készülék zavarmentes üritése. Ha a szűrőbetét eltömődött, akkor kapcsolja ki a ventilátorokat.



- ▶ Porszívóval tisztítsa meg a levegőbevezetés mögött található szűrőbetétet.

8. Hibaelhárítás

Probléma	Ok	Elhárítás
A készülék nem melegszik fel.	Nem állítottak be feltöltést vagy túl alacsonyra állították azt. Nincs áramellátás.	Állítson be magasabb feltöltést. Ellenőrizze a házi vezetékekben lévő biztosítékot és a FI védőkapcsolót.
A készülék helyiség-hőmérséklet-vezérlésű feltöltésszabályozó esetén nem melegszik.	A hőmérséklet túl alacsonyra van beállítva. A ventilátorengedélyezés ki van kapcsolva.	Ellenőrizze a beállított helyiség-hőmérsékletet. Szükség esetén állítsa utána az értéket. Kapcsolja be a ventilátorengedélyezést.
A helyiség nem melegszik fel kellőképpen, bár a készülék felforrósodik.	Túlmelegedés. A biztonsági hőmérsékletkorlátozó korlátozza a fűtőteltjesítményt. A hőmérséklet túl alacsonyra van beállítva. A ventilátorengedélyezés ki van kapcsolva.	Szüntesse meg a kiváltó okot (a levegő beszívó- vagy kifúvónyílásainak szennyeződése vagy letakarása). Vegye figyelembe a minimális távolságokat! Ellenőrizze a beállított helyiség-hőmérsékletet. Szükség esetén állítsa utána az értéket. Kapcsolja be a ventilátorengedélyezést.

Probléma	Ok	Elhárítás
	A helyiség hőigénye nagyobb a készülék teljesítményénél.	Szüntesse meg a hővesztéseket (csukja be az ablakokat és az ajtókat. Kerülje a hosszan tartó szellőztetést).
A készülék enyhe időjárásnál is túl sok hőt ad le.	Rosszul van beállítva a feltöltés-vezérlés és/vagy a feltöltés-szabályozó.	Korrigálja a beállításokat.
A helyiség túlságosan felmelegszik.	A hőmérséklet a készüléken túl magas értékre van beállítva.	Ellenőrizze a beállított helyiség-hőmérsékletet. Szükség esetén állítsa utána az értéket.
A helyiség-helyiség-hőmérséklet-vezérlésű feltöltésszabályozó a helyiség esténként tartósan túlságosan felmelegszik.	A készülékben az energiaszint túl magas.	Csökkentse a készülékben az energiaszintet a feltöltöttség-csökkenéssel.
A készülék nem ürül.	Eltömődött a szűrőbetét.	Lásd a „Tisztítás, ápolás és karbantartás” c. fejezetet.
A „Nyitott ablak észlelése” funkció nem reagál.	Szellőztetés hatására a készülék nem érzékel jelentős hőmérséklet-csökkenést. (A „Nyitott ablak észlelése” funkció működésének előfeltétele az előzetesen beállított egyenletes helyiség-hőmérséklet).	A készülék beállításait követően várjon egy ideig, amíg a helyiség hőmérséklete teljesen nem stabilizálódik. Távolítsa el a légcserét akadályozó tárgyakat a készülék körül. A szellőztetés időtartama kézzel tiltsa le a ventilátor működését.
	Nem aktiválták a „Nyitott ablak észlelése” funkciót.	Az alapmenüben kapcsolja be a „Nyitott ablak észlelése” funkciót.
Az „Adaptív indítás” nem a kívánalmak szerint működik.	A funkció csak programozott üzemmódban fejti ki hatását. A helyiség hőmérséklete erősen ingadozik, illetve a készülék tanulási folyamata még nem fejeződött be. Nem aktiválták az „Adaptív indítás” funkciót.	Használja a programozott üzemmódot az optimális fűtési kényelem érdekében. Várjon néhány napig, amíg a készülék működése nem stabilizálódik. Az alapmenüben kapcsolja be az „Adaptív indítás” funkciót.
A kijelzőn „E1”, „E2” vagy „E3” látható.	A készülék belső hibát észlelt.	Forduljon szakemberhez.



Tudnivaló

A feltöltés-vezérlésen eszközölt módosítások vagy a megszüntetett beállítások csak újbóli feltöltést követően lépnek érvénybe.

Ha az okokat nem tudja elhárítani, akkor hívjon szakszerelőt. A jobb és gyorsabb segítség érdekében adja meg a típustáblán feltüntetett gyári számot (000000-0000-000000).

TELEPÍTÉS

9. Biztonság

A készülék telepítését, üzembe helyezését, illetve karbantartását és javítását csak szakszerelő végezheti.



FIGYELMEZTETÉS Áramütés

A hálózati csatlakozókapocs saroklemezén elhelyezett „Achtung - Fernsteuerung! [Figyelem - távvezérlés!]” feliratú biztonsági matrica a készletben található biztonsági matrica helyi nyelvű változatával felülragasztandó.

9.1 Általános biztonsági tudnivalók

A kifogástalan működést és üzembiztonságot csak abban az esetben garantáljuk, ha a készülékhez az ajánlott tartozékokat és pótalkatrészeket használják.

9.2 Előírások, szabványok és rendelkezések



FIGYELMEZTETÉS Áramütés

Minden villamos bekötési és szerelési munkát a vonatkozó előírásoknak megfelelően kell végezni.



FIGYELMEZTETÉS Áramütés

A készüléket csak fixen csatlakoztatva szabad a hálózatra kapcsolni.

A készüléket egy minden pólusnál legalább 3 mm-es leválasztó szakasszal le kell tudni választani a hálózatról.



Anyagi kár

Vegye figyelembe a típusábra adatait. A rendelkezésre álló tápfeszültségnek meg kell egyeznie a hálózati feszültséggel.

Az üzemi eszközöknek meg kell felelniük a készülékek névleges teljesítményének.



Anyagi kár

A készüléket úgy kell rögzíteni a falon vagy a padlón, hogy biztosított legyen annak stabilitása.



Anyagi kár

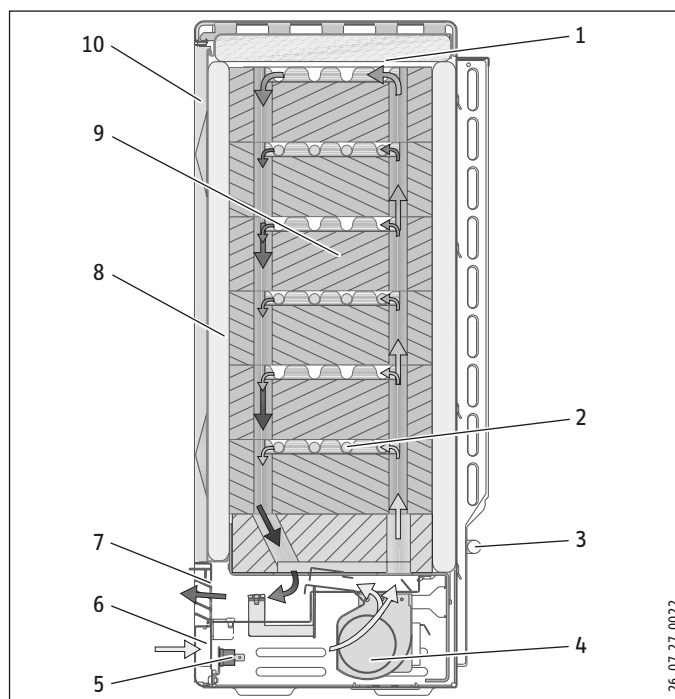
- A készüléket ne szerelje közvetlenül fali csatlakozóaljzat alá.
- Ügyeljen arra, hogy a bekötőkábel ne érjen hozzá a készülék részeihez.



Tudnivaló

Tartson be minden nemzeti és helyi előírást, illetve rendeletet.

10. A készülék leírása



- 1 Fedlap
- 2 Fűtőttest
- 3 Helyiség-hőmérséklet-érzékelő
- 4 Ventilátor (M1)
- 5 Hőmérséklet-szabályzó védőrelé (M5)
- 6 Levegő szívóoldal
- 7 Levegő nyomóoldal
- 8 Szigetelés
- 9 Hőtároló kövek
- 10 Homlokfal és belső homlokfal

10.1 Működési elv

A hőtároló téglákat a téglasorok közti fűtőttestek felmelegítik. A feltöltés-szabályzóval a feltöltés beállítható. A feltöltési idő kezdetét és időtartamát az illetékes áramszolgáltató határozza meg.

A készülék túlmelegedését két beépített hőmérséklet-szabályzó védőrelé, valamint egy biztonsági hőmérséklet-korlátozó akadályozza meg. Amíg a hőmérséklet-szabályzó védőrelék automatikusan visszakapcsolódnak, addig a biztonsági hőmérséklet-korlátozót a hiba okának elhárítását követően az annak közepén található nyomógomb lenyomásával vissza kell kapcsolni.

A tárolt hő leadását részben ventilátor, részben pedig a készülék felülete is biztosítja. Ehhez a ventilátor a levegőbevezető nyíláson keresztül beszívja a helyiség levegőjét és átfújja a hőtároló kövek levegőcsatornáin, ahol a levegő felmelegszik.

Mielőtt az ily módon létrehozott meleg levegő kilépne a levegő-kivezető rácson, két levegőkeverő szelep összekeveri azt a helyiség hidegebb levegőjével, nehogy a kilépő levegő hőmérséklete meghaladja a maximális értéket. A levegőkeverő szelep állását és ezáltal a levegő keverési arányát bimetal szabályozó szabályozza.

10.2 Szállítási készlet

A készülékkel szállított tartozékok:

- hőtároló kövek
- 2 db fali tartó, csak SHS esetén

10.3 Tartozékok

- 2 pontos helyiséghőmérséklet-szabályzó (ürítésszabályozás)
- kiegészítő fűtés
- DC vezérlőbemenet (DC vezérlőjel) szerelőkészlet
- egyfázisú csatlakozó szerelőkészlet
- ZK* kétkörös szerelőkészlet
- Vario konzolok
- merevítőkonzol*

* csak SHS esetén

11. Előkészületek



Tudnivaló

Az X2 kapcsoléc L és N sorkapcsán tartós feszültségnek kell fennállnia.



Tudnivaló

Ha a készülék automatikus feltöltés-vezérlésre van kapcsolva, akkor az elektronikus feltöltés-szabályzó feltöltés vezérlését feszültségkorrekció nélkül kell beállítani.

11.1 Telepítés helye



FIGYELMEZTETÉS Égési sérülés

- Gondoskodjon arról, hogy a készülék felerősítésére szolgáló fal legalább 85, a padló pedig legalább 80 °C-ig hőálló legyen.
- Tartsa be kötelező minimális távolságot a környező tárgyak felületétől.



Tudnivaló

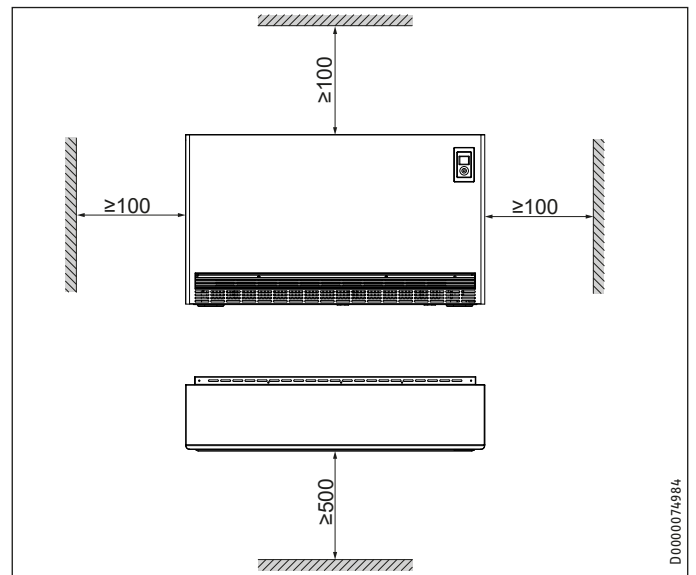
Amennyiben a készüléket olyan helyiségekben szerelik fel, ahol előfordulhat kipufogógáz-, olaj- vagy benzinszag, vagy ahol oldószerekkel és kémiai anyagokkal dolgoznak, úgy a készülék üzemeltetése tartós szaglószervi terhelést okozhat, illetve a készülék szennyeződhet.



Anyagi kár

A felszerelt készüléknek megfelelően fel kell feküdnie a falra.

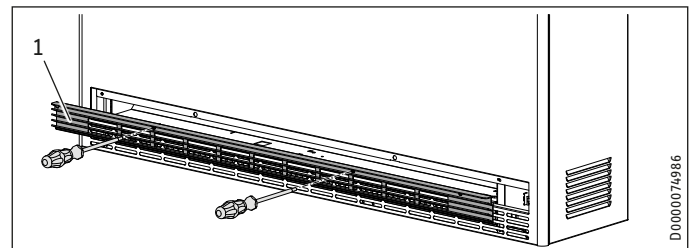
11.2 Minimális távolságok



- Győződjön meg róla, hogy a meleg levegő akadálytalanul távozhat a készülékből.

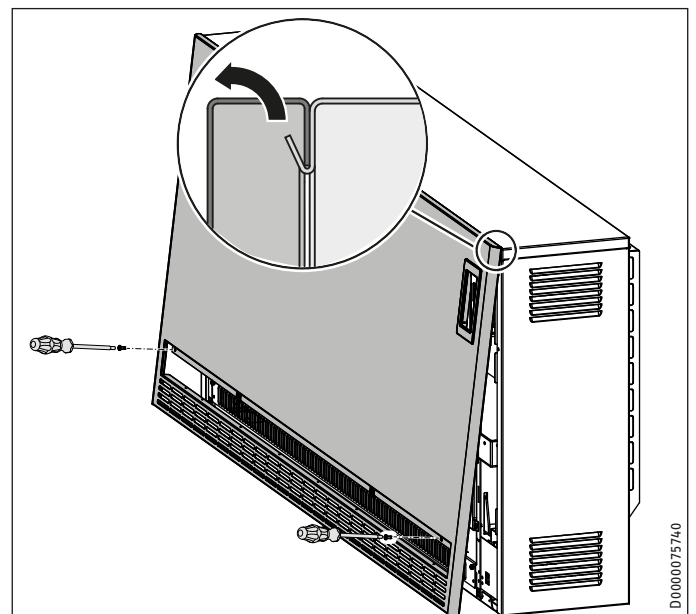
12. Szerelés

12.1 A készülék felnyitása



- 1 Levegőkivezető rács

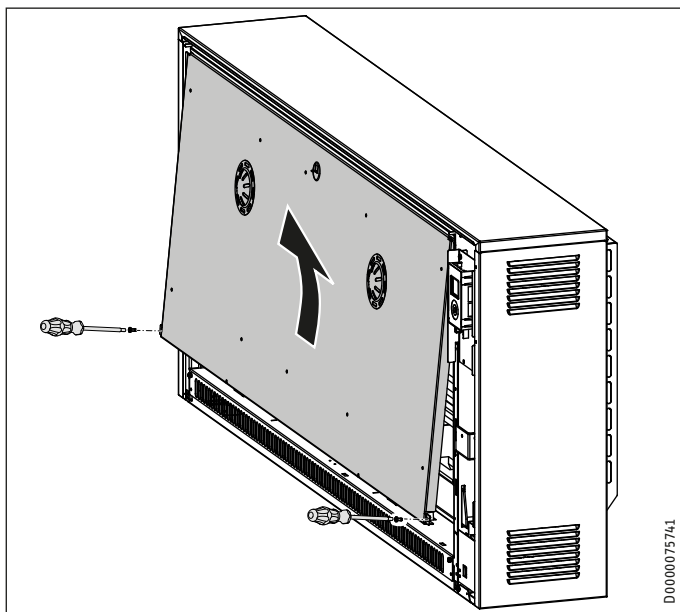
- Lazítsa meg a levegőkivezető rács mindkét negyed-es forgó-zárát, és vegye le a rácsot.



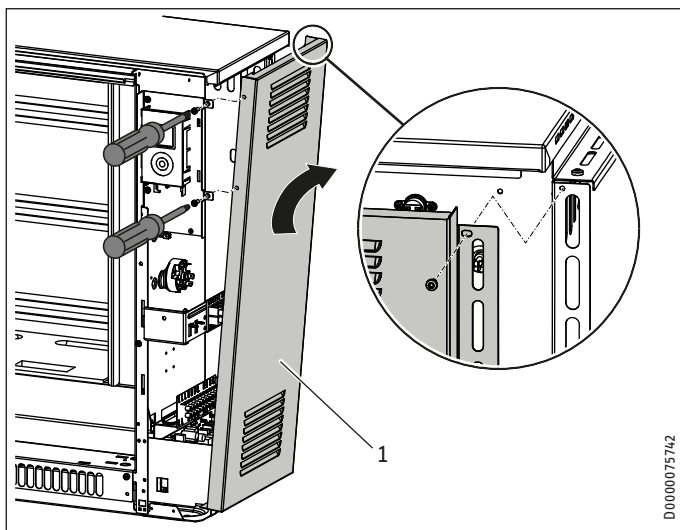
TELEPÍTÉS

Szerelés

- ▶ Lazítsa meg a homlokfal csavarjait.
- ▶ Húzza előre a homlokfalat, majd emelje le azt.



- ▶ Lazítsa meg a belső homlokfal csavarjait annak alsó szélénél.
- ▶ Húzza előre a belső homlokfalat, majd emelje le azt.



- 1 Jobb oldali oldalfal (meglazított csavarkötéssel)
- ▶ Lazítsa meg a 3 csavart a jobb oldali oldalfal elején és hátulján.
 - ▶ Húzza valamelyest előre az oldalfalat, majd felül billentse oldalra azt.
 - ▶ Kissé emelje meg az oldalfalat, majd vegye le azt.

12.2 A feltöltés-szabályozás beállítása



Tudnivaló

Vegye figyelembe a következő adatokat. A felszerelést követően adott esetben ezeket a beállításokat – a felszerelés helyszínétől és a felszerelési változatoktól függően – csak feltételesen szabad elvégezni.

12.2.1 A csatlakozási teljesítmény csökkentése

A készülék csatlakozója gyárilag a maximális teljesítményre (100%) van huzalozva.

A sorkapcsokon található áthidalók áthelyezésével, illetve eltávolításával 3 teljesítményfokozattal csökkenteni lehet a csatlakozási teljesítményt (lásd a „Műszaki adatok / A csatlakozási teljesítmény csökkentése“ c. fejezetet).

A vezeték-keresztmetszetet és a biztosítékot a készülék lehetséges maximális teljesítményére kell méretezni.



Tudnivaló

Tartsa be az illetékes áramszolgáltató előírásait.

12.2.2 Teljesítményillesztés hosszabb névleges feltöltési időtartamhoz

A csatlakozókapcsokon lévő áthidalók áthelyezésével, illetve eltávolításával a csatlakozási teljesítmény az áramszolgáltató által megadott névleges feltöltési időtartamhoz igazítható. Gyárilag a hőtárolót a következő névleges feltöltési időtartamra tervezték:

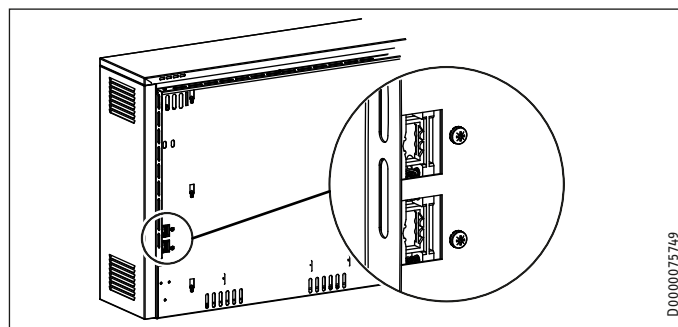
- 8 óra SHF, SHS
- 7 óra SHL

Erre vonatkozóan vegye figyelembe a „Műszaki adatok / Teljesítmény-korrekció“ c. fejezet adatait.

12.2.3 Csatlakoztatás DC vezérlőjelhez

Ha a berendezésbe egyenáramú vezérlőjellel (0,91 ... 1,43 V egyenáramú feszültség) működő feltöltés vezérlést építettek, akkor az Egyenáramú vezérlőbemenet (tartozék) szerelőkészletet kell használni. Az egyenáramú vezérlőjelnek az X3 kapocsleéc A1/Z1 „DC + (pluszpólus)“ és A2/Z2 „DC - (mínuszpólus)“ sorkapcsára kell bekötve lennie. Vegye figyelembe a polaritást.

12.3 Hálózati csatlakozó / csatlakozóvezetékek



FIGYELMEZTETÉS Áramütés

▶ A készüléken végzendő munkákat megelőzően a kapcsolószekrényben kapcsolja le a feszültséget a csatlakozóvezetésekről.

- ▶ Vegesse a hálózati csatlakozóvezetéseket, valamint a töltés- és ürités szabályzó csatlakozóvezetéseit a hátfalon található nyílásokon keresztül a készülékbe és csatlakoztassa azokat (lásd a „Műszaki adatok / Kapcsolási rajzok“ c. fejezetet).
- ▶ A csatlakozóvezetéseket kb. 260 mm hosszban helyezze el és szükség szerint rövidítse le azokat. A vezetékek nem simulhatnak az oldalfali szellőzőnyíláshoz.

12.4 Elektromos csatlakoztatás

12.4.1 Általános előírások



FIGYELMEZTETÉS Áramütés

Ha a készülék automatikus feltöltés-vezérlésre van kapcsolva, akkor az A1/Z1 és az A2/Z2 sorkapcsokon akkor is lehet feszültség, ha kivették a biztosítékokat!



FIGYELMEZTETÉS Áramütés

A hálózati csatlakozókapocs saroklemezén elhelyezett „Achtung - Fernsteuerung! [Figyelem - távvezérlés!]“ feliratú biztonsági matrica a készletben található biztonsági matrica helyi nyelvű változatával felülragasztandó.

A fűtőtesteket 3/N/PE~400 V elektromos hálózatra kell rákapcsolni. Az egyfázisú csatlakozókészlettel (tartozék) a készülék 1/N/PE~230 V hálózathoz is csatlakoztatható.

A bekötés kivitelezhető NYM kábellel. A bekötővezetékek és a vezeték száma, valamint a vezeték-keresztmetszetek a készülék csatlakozási teljesítményétől és a hálózati csatlakozó típusától, továbbá az áramszolgáltató különleges előírásaitól függenek.

Vegye figyelembe a kapcsolási rajzot és a teljesítményfokozatokat (lásd a „Műszaki adatok“ c. fejezetet).

12.4.2 A készülék csatlakoztatása



FIGYELMEZTETÉS Áramütés

Feltétlenül ügyeljen a földelő vezeték kifogástalan csatlakoztatására.



FIGYELMEZTETÉS Áramütés

A bekötővezetékek nem lehetnek sérültek, csupaszkok, illetve nem lóghatnak ki a készülékből.

► A bekötővezetékeket megfelelően vezesse.



Tudnivaló

Az X2 kapcsoló L és N sorkapcsán tartós feszültségnek kell fennállnia.

► Biztosítsa az elektromos csatlakozóvezetékek húzásirányú tehermentesítését; ezeket a vezetékeket a készülékben (a jobb oldali oldalfal belső oldalán) vagy a „Műszaki adatok“ c. fejezetben található kapcsolási rajz szerint kell bekötni.

Amennyiben a kapcsolótérben található és a hálózati csatlakozókapcsok elhelyezésére szolgáló saroklemez a csekély oldaltávolság miatt nehezen hozzáférhető, úgy a rögzítő csavar meglazítását követően az előre hajtható.

12.4.3 Működtetés fűtési védőrelé nélkül

Ha nem kell beépíteni fűtési védőrelét (részben áramszolgáltatói előírás), akkor használható a hőtároló-elektronika funkciója is.

- Ehhez csatlakoztassa az áramszolgáltató LF és N jeleit vagy a mindenkori feltöltés-vezérlés SH és N jeleit közvetlenül a hőtároló LF/SH és N sorkapcsaihoz.
- Állítsa a konfigurációs menü P15 paraméterének értékét 1-re (lásd a „Telepítés / Konfigurációs menü“ c. fejezetet).

A készülékben a fűtőtestek csak akkor kapcsolódnak be, ha az áramszolgáltató megadja az LF engedélyező jelet vagy az elektronikus feltöltés-szabályzó engedélyezi a feltöltést.

12.4.4 A készülék típusablája

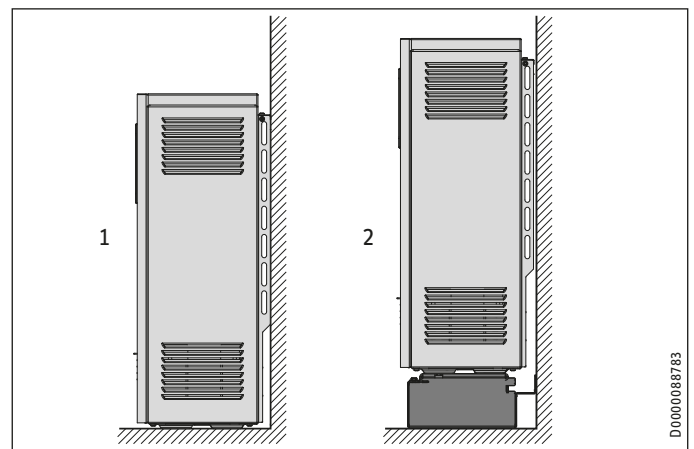


Tudnivaló

Dokumentálja a csatlakozási teljesítményt és a névleges feltöltési időtartamot.

► Ehhez jelölje be a típusablán található megfelelő jelölőnégyzeteket.

12.5 Padlón álló kivitel



- 1 Padlón álló kivitel
- 2 Felállítási padlókonzollal

A készülék felállítási helyének sík felületűnek kell lennie és megfelelő teherbírással kell rendelkeznie. A készülék súlyára vonatkozó további adatokat lásd a „Műszaki adatok / Adattáblázat“ c. fejezetben. Ha kétségei vannak, forduljon építési szakemberhez.

A készülékek minden hagyományos padlón felállíthatók, azonban PVC, parkett- és hosszú szálú, illetve magas szálú padlósznyegek esetén nyomás alatt és hőbehatás esetén eltérések adódhatnak. Ilyen esetben hőálló alátétlemezeket kell elhelyezni (az építettőknek kell beszereznie).

A készülék stabilitását fali vagy padlórögzítéssel kell biztosítani.

Fali rögzítés

Megfelelő teherbírású falra történő felszereléshez erre a célra egy lyuk található a készülék hátfalában, a kapcsolótérnél.

► Megfelelő csavarral erősítse a készüléket a falhoz, nehogy az lebillenessen.

Rögzítés padlón

Alternatív megoldásként a készüléket a talpakban található négy lyukon (Ø 9 mm) keresztül a padlóhoz lehet csavarozni.

- Szerelje ki a levegőkivezető rácsot, a homlokfalat, valamint a levegővezető részegységet (lásd a „Szerelés / A készülék felnyitása“ és az „A készülék tisztítása“ c. fejezetet).
- Megfelelő csavarokkal rögzítse a készüléket szorosan a padlóhoz.

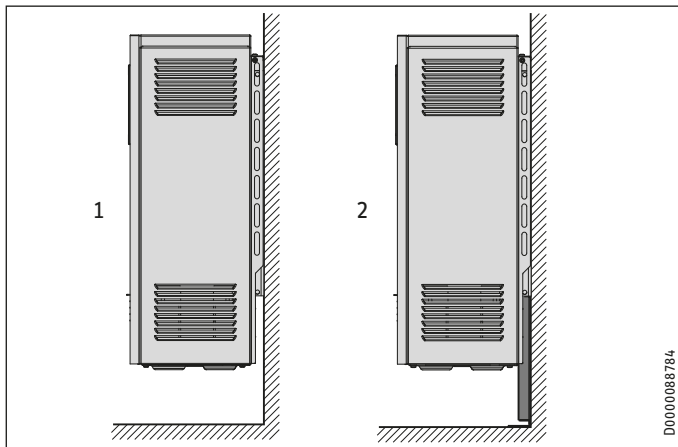
12.5.1 Felállítás padlókonzolokkal

A Vario állókonzol (tartozék) lehetővé teszi a készülék felállítását a padlótól bizonyos magasságban.

Ha a készülék számára megfelelő a fal teherbírása, akkor a konzol csak a készüléklábazathoz, az alá csavarozandó.

Ha nincs megfelelő szerelőfal, akkor a konzolt össze kell csavarozni a padlóval és a készüléklábakkal.

12.6 SHS szerelési változatok



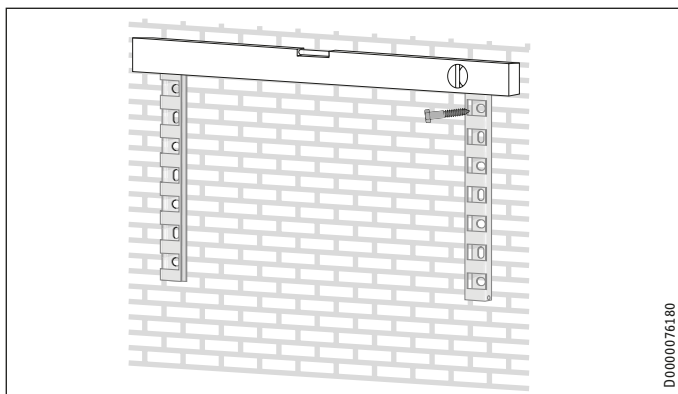
- 1 Felszerelés megfelelő teherbírású fal esetén, fali tartóval (SHS 1200 ... 3600)
- 2 Felszerelés nem megfelelő teherbírású fal esetén, merevítő konzollal

12.6.1 A készülék rögzítése fali tartókkal a padlóterület igénybe vétele nélkül

Ennél felszerelési módszernél vegye figyelembe a következőket:

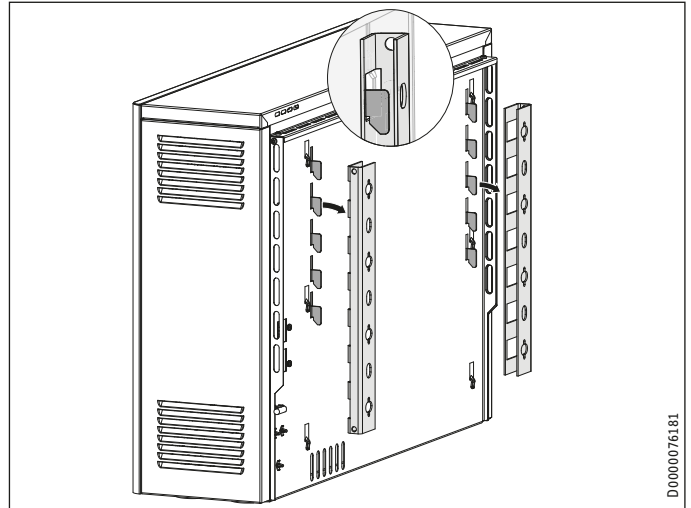
Ha van kielégítő teherbírású rögzítőfal, akkor a készletben található fali tartók használatával a készülék a falra rögzíthető. Ennek során érvényes a következő szabály:

- SHS 1200 ... 3600: A fali tartó megtartja a készülék súlyát.
- SHS 4200 ... 4800: A fali tartót kiegészítő merevítőkonzollal (tartozék) alá kell támasztani.
- Korlátozott teherbírású fal esetén az SHS 1200 ... 3600 készüléket is kiegészítő merevítőkonzollal (tartozék) kell felszerelni.



- ▶ Csavarozza le a két fali tartót a készülék hátoldaláról.

- ▶ Erősítse fel a fali tartókat a falra, ügyelve a minimális távolságokra, valamint a lyuktávolságokra. (A méretekkel kapcsolatosan lásd a „Minimális távolságok” és a „Műszaki adatok / Méretek és csatlakozók” c. fejezetet).



- ▶ Akassza a készüléket a fali tartókba.

12.7 A hőtároló kövek behelyezése



FIGYELMEZTETÉS Égési sérülés

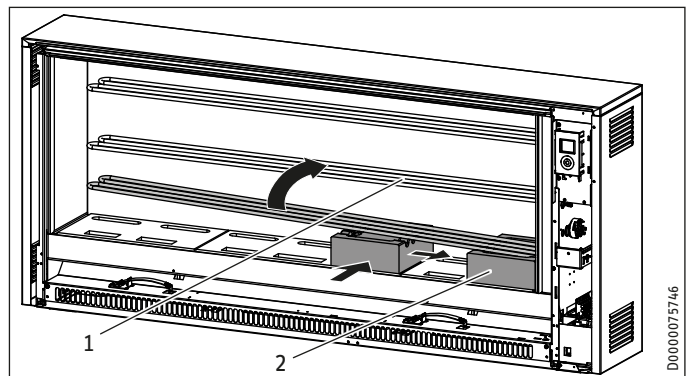
A törött hőszigetelések a burkolat túlmelegedését okozhatják.

- ▶ Ellenőrizze a készülékben lévő hőszigetelést, hogy az a szállítás közben nem sérült-e meg.
- ▶ Cserélje ki a hőszigetelés hibás részeit.

A készülékben egyáltalán nem lehetnek idegen tárgyak, például a csomagolás maradványai.

- ▶ Szerelje le a fedlapot és vegye ki a kartonbetéteket a készülék belsejéből.

A hőtároló köveket külön csomagolásban szállítjuk le. A szállítás során enyhén megsérült hőtároló kövek használhatók. Ez nem befolyásolja hátrányosan a készülék működését.



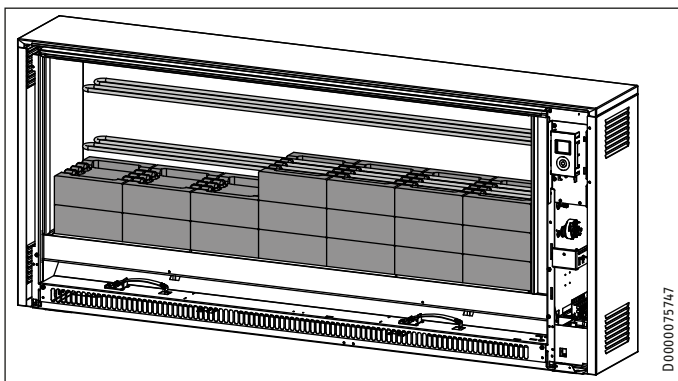
- 1 Fűtőtest
- 2 Hőtároló tégl

- ▶ A hőtároló kövek behelyezéséhez kissé emelje meg a fűtőtesteket.
- ▶ A fűtőtestek megemelésakor vigyázzon, nehogy a fűtőtestek kitérjék az oldalsó hőszigetelésben található átmenő furatokat.

TELEPÍTÉS

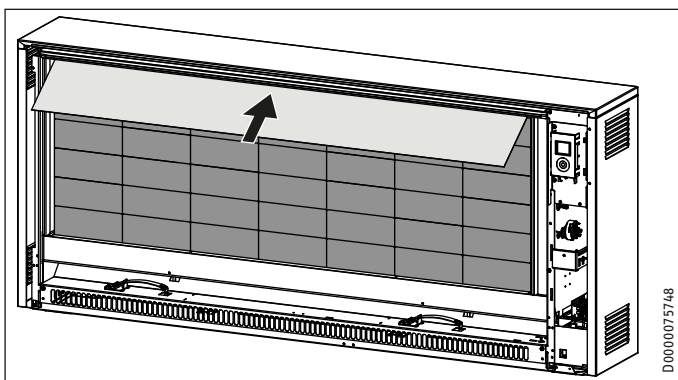
Szerelés

- ▶ Az első hőtároló követ a jobb oldali hőszigeteléshez képest adott távolságban kell behelyezni, úgy, hogy a fűtőtest mélyedése felfelé nézzen.
- ▶ Tolja a hőtároló követ a jobb oldali, valamint a hátsó hőszigeteléshez. A hosszúkás lyukak alkotják a fűtőcsatornákat.



D0000075747

- ▶ Tegye be a további hőtároló köveket az ábrán látható sorrendben.

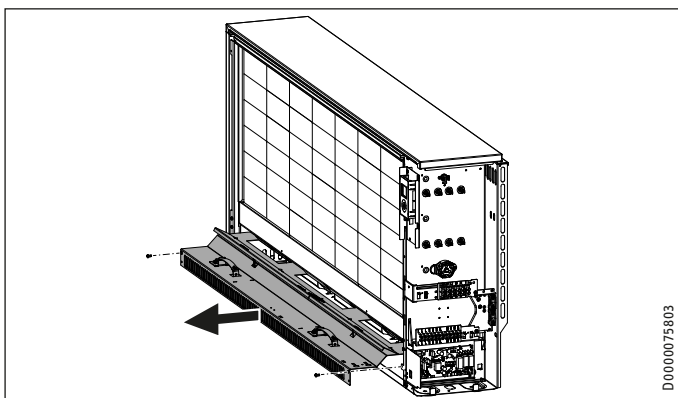


D0000075748

- ▶ Tolja a belső térből kivett fedlapot a hőtároló kövek fölé.

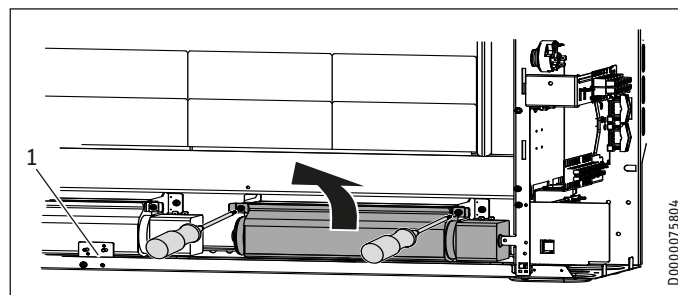
12.8 A készülék tisztítása

- ▶ A felállítást és a hőtároló kövek behelyezését követően tisztítsa meg a készüléket. Ehhez a következők szerint járjon el:



D0000075803

- ▶ Szerelje ki a levegővezető szerelvényt.



D0000075804

1 Hőmérséklet-szabályzó védőrelé (M5)

- ▶ Emelje meg és vegye ki a ventilátort. Ehhez lazítsa meg az elöl, a tartó szögvasakon található csavarokat.
- ▶ Ügyeljen a kábelek elhelyezésére.

Egyes készülékeknél ehhez le kell csavarozni a biztonsági hőmérséklet-szabályzót (N5) a tartólemezzel együtt.

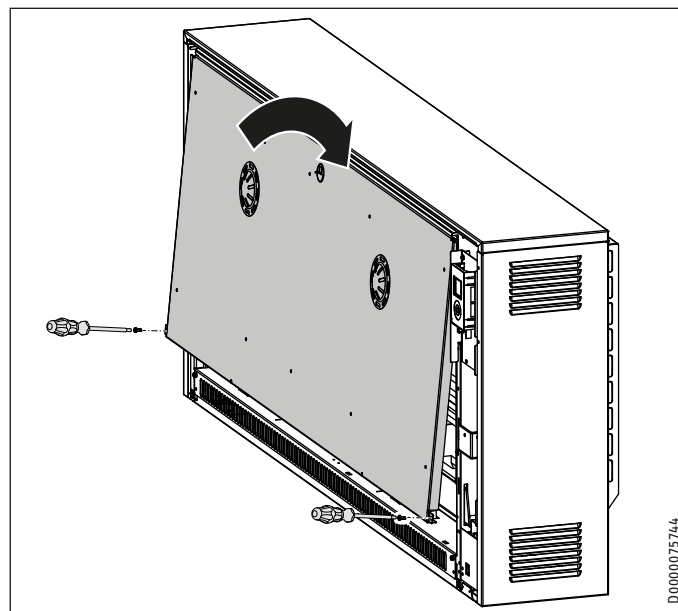


Anyagi kár

A kiszertelt alkatrészek lerakásakor vigyázzon, nehogy a huzalkötegek megrongálódjanak.

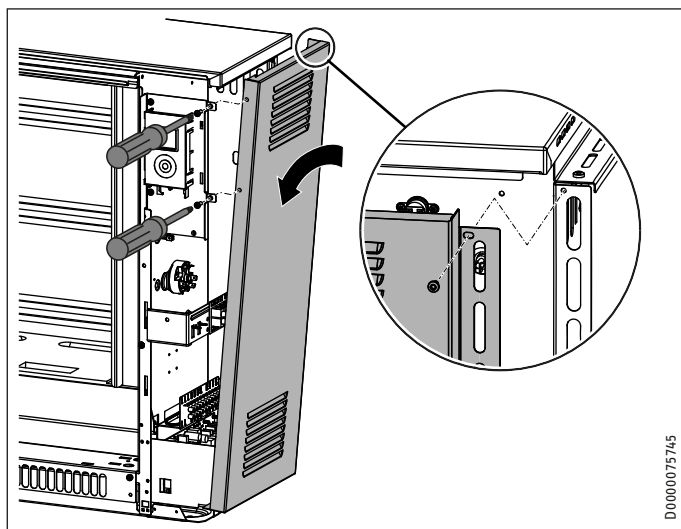
- ▶ Tisztítsa meg a fenéklemezt és a ventilátort. Vigyázzon, nehogy a lamellák megrongálódjanak.
- ▶ Ezután szerelje vissza a ventilátort, majd adott esetben a biztonsági hőmérséklet-szabályzót, valamint a levegővezető szerelvényt.
- ▶ Ügyeljen a szabályos kábelvezetésre.

12.9 A készülék lezárása



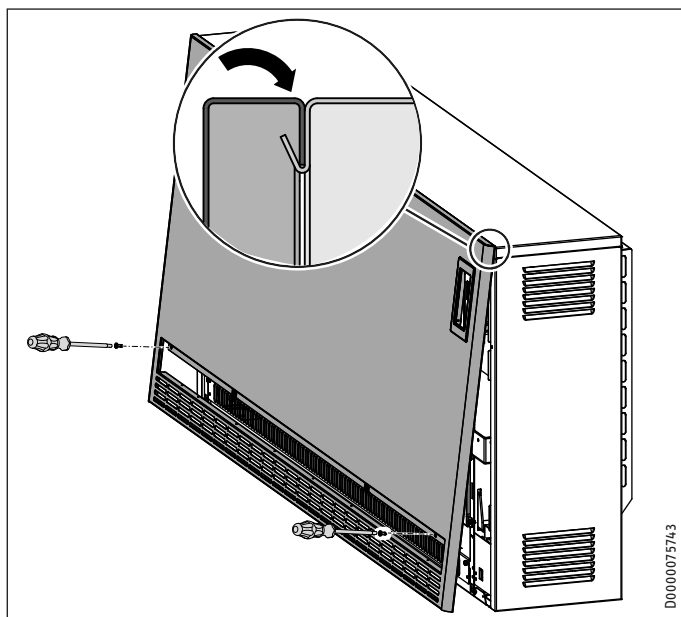
D0000075744

- ▶ Tegye vissza a belső homlokfalat.



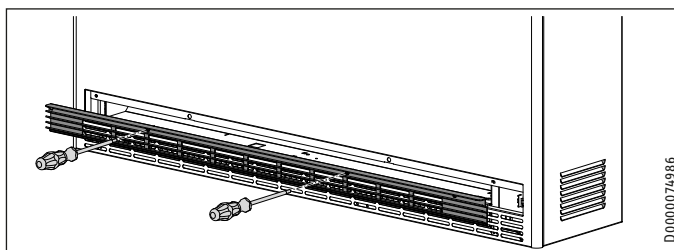
D0000075745

- ▶ Helyezze fel a jobb oldali oldalfalat, és felül hajtsa rá azt a készülékre.
- ▶ Akassza fel felül a fedelet, és nyomja hátra azt. Ügyeljen arra, hogy az oldalfal felfeküdjön a kezelőegység tartólemeztére.
- ▶ Csavarozza fel szorosan az oldalfalat a 3 csavarral és a fogastárcsákkal.



D0000075743

- ▶ A homlokfal felszerelése előtt húzza le a védőfóliát a kezelőegységről.
- ▶ Helyezze vissza a homlokfalat.
- ▶ Csavarozza fel szorosan a homlokfalat csavarokkal és a fogastárcsákkal.



D0000074986

- ▶ Erősítse fel a levegőkivezető rácsot a két negyedes forgózárral.

13. Konfigurációs menü

A Konfigurációs menüben a tényleges értékek és a paraméterek két hozzáférési szintre vannak felosztva.

Hozzáférési szint	Leírás
A0	Azoak a tényleges értékek és paraméterek, amelyek a készülék felhasználója számára engedélyezettek és kód megadása nélkül elérhetők. A paraméterek a „+” vagy a „-” gombbal választhatók ki.
A1	Négy jegyű számkód bevitelét követően a szakszerelő számára fenntartott kiegészítő tényleges értékek és paraméterek elérhetővé válnak. A paraméterek csak a „+” gombbal választhatók ki.

A konfigurációs menübe a „Menü” gomb lenyomva tartásával léphetünk. Kb. 3 mp elteltével megjelenik az I1 tényleges érték.

Az A1 hozzáférési szint tényleges értékeinek és paramétereinek engedélyezése

- ▶ A „+” vagy a „-” gombbal hívja be a „Kód” menüpontot. A kijelzőn váltakozva a menüpont és az A0 hozzáférési szint látható.
- ▶ Nyomja le az „OK” gombot. A kódbevitel kijelzésre kerül. Az első számjegy villog.
- ▶ A „+” vagy a „-” gombbal írja be az 1000 kódot. Minden egyes bevitt számjegy után nyomja le az „OK” gombot.

A helyes kód bevitelét követően láthatóvá válnak korábban letiltott tényleges értékek és paraméterek .

Ha módosítani kívánja egy paraméter értékét, akkor a „+” gombbal hívja be azt. Nyomja le az „OK” gombot.

Amint megjelenik a „Paraméter szerkeszthető” szimbólum, a „+” és a „-” gombbal módosítani lehet a paraméter értékét. A beállított érték mentéséhez nyomja le az „OK” gombot.

A „Menü” gomb lenyomásakor vagy ha kezelő 10 mp-nél hosszabb ideig semmilyen műveletet nem végez, a készülék automatikusan átkapcsol a normál kijelzőre. Ismét aktiválódik a paraméterzárolás.

TELEPÍTÉS

Konfigurációs menü

Kijelző	Hozzáfé- résí szint	Jelentése	Opciók	Leírás
I1*	A0	A helyiség hőmérséklet tényleges értéke [°C, °F]		
I2	A0	A fűtés relatív időtartama [óra]		
I3	A1	A következő feltöltés töltöttség-fok-alapjele [%]		
I4	A1	Tényleges töltöttségi fok [%]		
Pro1*	A0	Pro1 időprogram		
Pro2*	A0	Pro2 időprogram		
Pro3*	A0	Pro3 időprogram		
P1*	A0	Helyiség hőmérséklet-eltolás	±3 °C, ±5 °F	
P2*	A0	Időformátum	12, 24 óra	
P3*	A0	A hőmérséklet-kijelző mértékegysége	°C, °F	
P4*	A0	Időprogramok visszaállítása	be, ki	
P5	A0	A fűtés relatív időtartamának visszaállítása	be, ki	
P6	A1	SL vezérlőjel	0	SL bemenet kikapcsolva (gyári beállítás): A ventilátor vezérlése a beépített helyiség hőmérséklet-szabályzóval történik.
			1	SL bemenet bekapcsolva: A ventilátor vezérlése a falra szerelt 2-pontos helyiség hőmérséklet-szabályzóval történik.
P7*	A1	A ventilátorvezérlés módja	0	Kétpontos szabályozás: A beépített helyiség hőmérséklet-szabályzó a ventilátort a hőszükségletének megfelelően kapcsolja be és ki.
			1	Arányos szabályozás (gyári beállítás): A ventilátormotorok fordulatszámát a beépített helyiség hőmérséklet-szabályzó fokozatmentesen a hőszükségletéhez igazítja.
P8	A1	A kikapcsolási hőmérséklet csökkentése	100 % 90 % 80 % 70 %	A változtatható csatlakozási teljesítménnyel összefüggésben az elektronikus feltöltésszabályzó négy különböző feltöltési fokozatra állítható. A gyári beállítás 100% (nincs csökkentés). Másik beállítás kiválasztása csökkentett töltöttségi fokot eredményez (csökken az elektronikus feltöltésszabályzó lekapcsolási hőmérséklete). Lásd a „Műszaki adatok / A csatlakozási teljesítmény csökkentése a feltöltés névleges időtartamának megtartásával“ c. fejezetet.
P12	A1	Kiegészítő fűtés (tartozék)	0 1	Ha a készülékbe nincs kiegészítő fűtés beszerelve (gyári beállítás). A készülékbe szerelt kiegészítő fűtés aktiválódik.
P14	A1	A hőforrás töltöttségfok-alapjele	1	A feltöltési mennyiség kizárólag a feltöltöttség-csökkentőn keresztül szabályozható.
			2	A feltöltésszabályzó vezeték AC vezérlőjelre van kapcsolva (gyári beállítás). Az ED-rendszer és az üzemzavari viselkedés a P17 és P18 paraméterekkel állítható be.
			3	A feltöltésszabályzó vezeték DC vezérlőjelre van kapcsolva. Az üzemzavari viselkedés a P18 paraméterrel állítható be.
			4	A feltöltési mennyiséget a helyiség hőmérséklet-vezérlésű feltöltésszabályzó határozza meg. A feltöltés engedélyezése a P15 paraméteren keresztül választható ki (P15=1 vagy P15=3).
P15	A1	A hőforrás csúcsidőn kívüli tarifájának engedélyezése	0	Állandó engedélyezés (gyári beállítás): A fűtőtestek akkor kapcsolódnak be, ha a fűtési védőrelé és az elektronikus feltöltésszabályzó engedélyezi a feltöltést.
			1	Engedélyezés LF hardverjellel: A fűtőtestek csak akkor kapcsolódnak be, ha az áramszolgáltató megadja az LF engedélyező jelet vagy ha az elektronikus feltöltésszabályzó engedélyezi a feltöltést. Az EVU LF jelet az LF/SH sor-kapocsra kell csatlakoztatni.
			3	Engedélyezés belső órával: A fűtőtestek csak akkor kapcsolódnak be, ha a belső órával történő engedélyezés történik, vagy ha az elektronikus feltöltésszabályzó engedélyezi a feltöltést. 24 óránként csak egy engedélyezés lehetséges. Az engedélyezés kezdő időpontja a P19 paraméterrel, míg a feltöltés időtartama a P20 paraméterrel állítható be.
P17	A1	ED rendszer	30 %-80 %	A feltöltésszabályzó vezetéknek AC vezérlőjelhez kell csatlakoznia (váltakozó áramú jel az A1 és az A2 kapcsan). A készülék elektronikus feltöltésszabályzója az ED rendszerek 80 %-os, 72 %-os, 68 %-os, 40 %-os és 37 %-os feltöltésvezérléseivel üzemeltethető. A gyári beállítás az ED rendszerek 80 %-os vezérlésével számol. Ha a készülék más ED rendszerekkel kívánja működtetni, akkor ezt a paramétert a megfelelő százalékértékre kell beállítani.
P18	A1	Üzemzavarok	0	A készülék „negatív üzemzavari viselkedés“-re van beállítva (a feltöltésvezérlés meghibásodása esetén nem lesz feltöltve a hőtároló). Ez a beállítás csak digitális feltöltésvezérlésekkel való működtetés esetén lehetséges. AC feltöltésvezérlések esetén kiegészítőleg 80 %-os ED-jelre van szükség.
			1	A készülék „pozitív üzemzavari viselkedés“-re van beállítva (gyári beállítás). A feltöltésvezérlés meghibásodása (például a vezérlőjel kimaradása) esetén a készülék teljes feltöltést kap.
P19	A1	Az engedélyezés kezdési idejének megadása az órával	- :- -	Állítsa be a töltésengedélyezés kezdési idejét a belső órával. A gyári beállítás 00:00 óra. A kezdési időpont beállításakor ügyeljen arra, hogy a hét napja és a pontos idő helyesen legyen beállítva.
P20	A1	Az engedélyezés időtartamának megadása az órával	00:00 óra ... 22:00 óra	Állítsa be a töltésengedélyezés időtartamát a belső órával. A gyári beállítás 8 óra. A maximális feltöltési időtartam 22 óra.

* Csak akkor jelenik meg, ha a ventilátorvezérlés a beépített helyiség hőmérséklet-szabályzón keresztül történik.

14. Üzembe helyezés

14.1 Üzembe helyezés előtti ellenőrzés

Az üzembe helyezés előtt a ellenőrizni lehet a funkciók működését. Ehhez használja a konfigurációs menü üzembe helyezési üzemmódját.

- ▶ A konfigurációs menü eléréséhez tartsa 3 másodpercig lenyomva a „Menü” nyomógombot.

Először engedélyezni kell a szakszerelőknek fenntartott A1 jogosultsági szintet.

- ▶ A „+” vagy a „-” gombbal hívja be a „CodE” menüpontot.
- ▶ Nyomja le az „OK” nyomógombot.
A kódbevitel kijelzésre kerül. Az első számjegy villogni kezd.
- ▶ A „+” vagy a „-” gombbal állítsa be az 1000 értéket. Minden egyes bevitt számjegy után nyomja le az „OK” nyomógombot.
- ▶ A helyes kódbevitelt követően a „+” nyomógombbal hívja elő az 14 tényleges értéket.
- ▶ Az üzembe helyezési üzemmód eléréséhez tartsa 3 másodpercig egyidejűleg lenyomva a „Menü” és a „+” nyomógombot.

Az üzembe helyezési üzemmódban nincs első feltöltés. A feltöltési mennyiség a feltöltöttség-csökkentő beállításának felel meg. A kijelzőn a feltöltöttség előrehaladásának megfelelő százalékértéke jelenik meg.



Tudnivaló

- Ha a feltöltöttség-csökkentőt 0%-ra állítja, akkor nem lesz feltöltés.
- A feltöltési mennyiség elérését követően a készülék automatikus kilép az üzembe helyezési üzemmódból.

- ▶ A ventilátorengedélyezés „Ventilátor” nyomógombbal történő bekapcsolásával ellenőrizze a ventilátor működését.
- ▶ Az üzembe helyezési üzemmódból való kilépéshez tartsa 3 másodpercig egyidejűleg lenyomva a „Menü” és a „-” nyomógombot.

14.2 Első üzembe helyezés

A felszerelést követően a készülék közvetlenül üzembe helyezhető.

- ▶ Állítsa be a feltöltést a feltöltöttség-csökkentő vagy a feltöltés-vezérlés segítségével.

14.2.1 Feltöltés

Az első feltöltéskor szagosodás jelentkezhet.

- ▶ Gondoskodjon a helyiség megfelelő szellőzéséről. Az ablak bukó állásában például 1,5-szeres légcserét lehet biztosítani.

Ha a készüléket hálósobában szerelik fel, akkor az első feltöltésre ne alvás közben kerüljön sor.

15. A készülék átalakítása

Átalakítás, felszerelés és a beépítés esetén a mindenkor szerelőkészlethez mellékelt útmutatást kell követni.

16. A készülék átadása

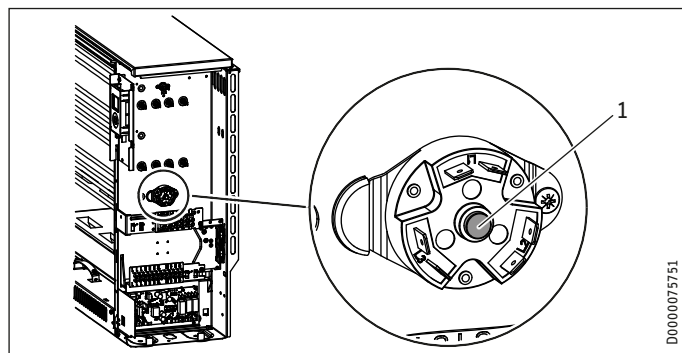
Mutassa be a felhasználónak a készülék funkcióit. Külön hívja fel a figyelmét a biztonsági szempontokra. Adja át a felhasználónak a kezelési és telepítési útmutatót.

17. Hibaelhárítás

17.1 Üzemzavar-elhárítási táblázat

Üzemzavar	Ok	Elhárítás
A készülék nem melegszik fel.	A fűtőtest védőreléje nem szabályosan működik. Megszűnt a hőtároló feszültségellátása. Megszűnt a feltöltés-szabályzó feszültségellátása.	Ellenőrizze a fűtőtest védőreléjének működtetését. Ellenőrizze a biztosítékot a központi elosztóban. Ellenőrizze a feszültségellátást. Lásd az „Elektromos csatlakoztatás” és/vagy a „Műszaki adatok” c. fejezetet.
	A biztonsági hőmérséklet-korlátozó (F1) kioldott. Rosszul van beállítva a feltöltés-vezérlés. A feltöltés-szabályzó kifogástalanul működik.	Ismét aktiválja a hőmérséklet-korlátozót (lásd az „A biztonsági hőmérséklet-korlátozó aktiválása” c. fejezetet). Ellenőrizze a feltöltés-vezérlés beállításait. Ellenőrizze a konfigurációs menü P14, P15, P17 és P18 paramétereinek beállításait (lásd a „Telepítés / Konfigurációs menü” c. fejezetet).
Enyhe kültéri hőmérsékletnél a készülék túlságosan feltöltődik (feltöltés-vezérlés használatakor).	A vezérlőjel továbbítása megszakadt. Rosszul van beállítva a fűtési jelleggörbe. A kültérihőmérséklet-érzékelő meghibásodott. A feltöltés-szabályzó téves vezérlőjelet továbbít.	Ellenőrizze, hogy a feltöltés-vezérlés vezérlőjele fennáll-e a hőtárolóban. Ellenőrizze a feltöltés-vezérlés beállításait. Mérje le végig a kültérihőmérséklet-érzékelőt és adott esetben cserélje ki. Ellenőrizze a konfigurációs menü P17 és P18 paramétereinek beállításait (lásd a „Telepítés / Konfigurációs menü” c. fejezetet).
Enyhe kültéri hőmérsékletnél a készülék túlságosan feltöltődik (a feltöltés kézi beállításakor).	A hőtárolón található feltöltöttség-csökkentő beállításai.	Ellenőrizze a feltöltöttség-csökkentő beállítását.
A helyiség-helyiség-hőmérséklet-vezérlésű feltöltésszabályozó a helyiség esténként tartóan túlságosan felmelegszik.	A készülékben az energiaszint túl magas.	Csökkentse a készülékben az energiaszintet a feltöltöttség-csökkentővel.
A készülék nem ürül.	A ventilátorok nem forognak. Eltömődött a levegőbemeneti szűrőbetét.	Ellenőrizze... ... a konfigurációs menü P6 paraméterének beállításait (lásd a „Telepítés / Konfigurációs menü” c. fejezetet). ... hogy a ventilátor engedélyezése be van-e kapcsolva. ... hogy a hőtárolóban fennáll-e a ventilátorfeszültség. Tisztítsa meg a szűrőbetétet. Lásd a „Tisztítás, ápolás és karbantartás” c. fejezetet. Ellenőrizze, hogy akadályozza-e valami (például bolyhos szőnyeg) a levegő hozzávezetését. Ellenőrizze, hogy működésbe lépett-e a hőmérséklet-szabályzó védőrelé (N5) a levegőkivezető nyílásban.
A kijelzőn az „E1” hibakód jelenik meg.	A helyiség-hőmérséklet-érzékelő hibás.	Mérje le végig a helyiség-hőmérséklet-érzékelőt és adott esetben cserélje ki.
A kijelzőn az „E2” hibakód jelenik meg.	A maghőmérséklet-érzékelő hibás.	Mérje le végig a maghőmérséklet-érzékelőt és adott esetben cserélje ki.
A kijelzőn az „E3” hibakód jelenik meg.	Az egyenáramú vezérlőjel csatlakoztatásakor ügyelni kell a polarításra.	Ellenőrizze az egyenáramú vezérlőjel csatlakoztatását.



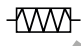


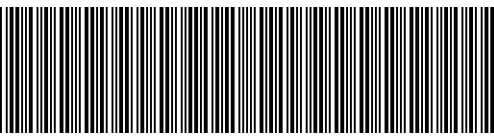
17.1.1 A biztonsági hőmérséklet-korlátozó (F1) aktiválása



1 Biztonsági hőmérséklet-korlátozó visszaállító gomb






A biztonsági hőmérséklet-korlátozót a hibát kiváltó ok elhárítását követően, a visszaállító gomb lenyomásával újra engedélyezni lehet.

17.2 A típustábla szimbólumai

STIEBEL ELTRON	
Typ: SHF 7000	 373 kg
Nr.: 200180 - 9349 - 000012	
	3/N/PE ~ 400V 50 Hz 1/N/PE ~ 230V 50 Hz
<input type="checkbox"/> <input type="checkbox"/> <input type="checkbox"/> <input type="checkbox"/>	<input type="checkbox"/> <input type="checkbox"/> <input type="checkbox"/> <input type="checkbox"/>
kW 5,25 5,83 6,42 7,00	9 10
	1/N/PE ~ 230V 50 Hz
	<input type="checkbox"/> 1,5 kW
	29 W
	333773-40715 Made in Germany
STIEBEL ELTRON GmbH & Co. KG Dr.-Stiebel-Straße 33, 37603 Holzminden, Germany	
	
200180-9349-000012	

D 0000080905

A típustábla szimbólumai (az SHF 7000 példáján)

-  Összsúly
-  Feltöltés
-  Ürítés
-  kiegészítő fűtés
-  Ventilátor

18. Karbantartás és tisztítás

A levegőkivezető rács mögötti ventilátorcsatornát két évente felül kell vizsgáltatni. Itt előfordulhat kismértékű piszkoslerakódás.

**Tudnivaló**

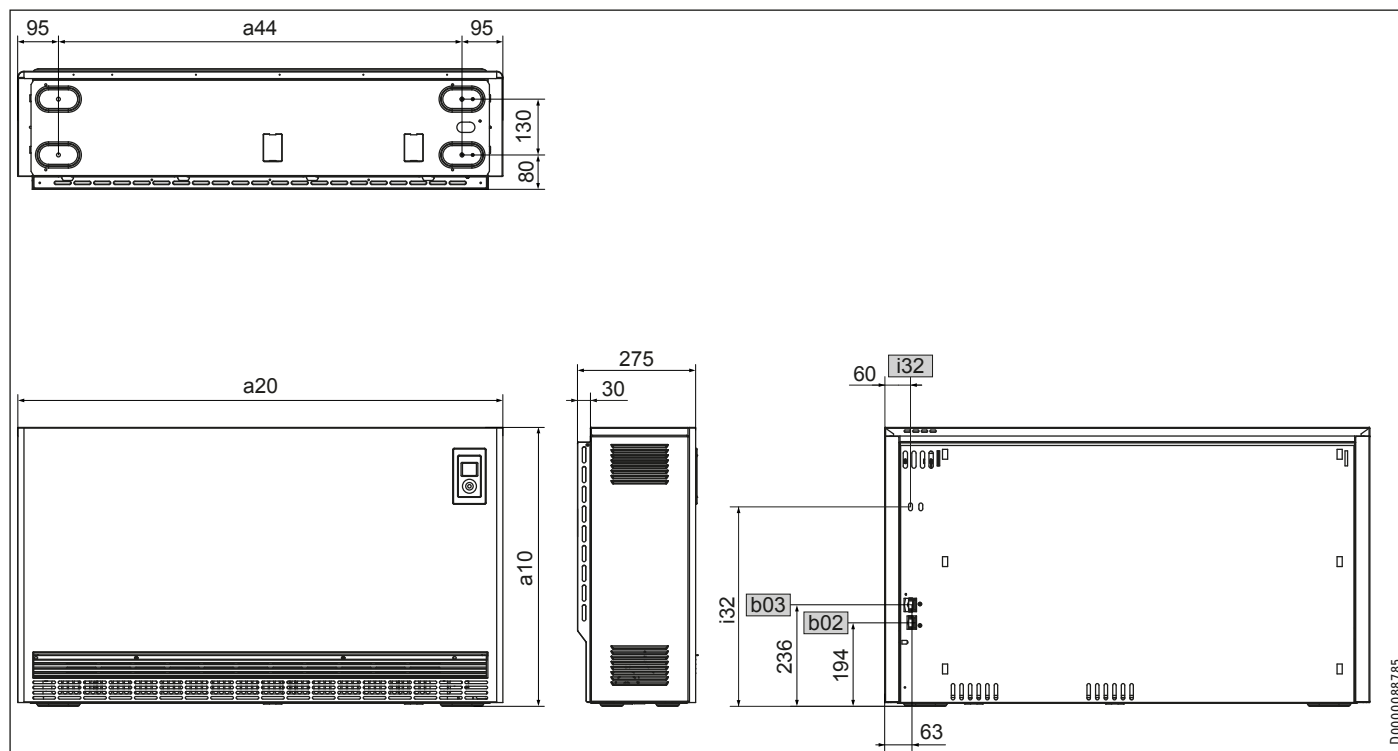
Javasoljuk, hogy a rendszeres karbantartás során az ellenőrző és szabályozó szerkezeteket is ellenőriztesse.

- ▶ Legkésőbb az első üzembe helyezéstől számított 10 éven belül, szakemberrel ellenőriztesse a biztonsági, ellenőrző és szabályozó szerkezeteket, valamint a teljes feltöltés- és ürítés-vezérlő rendszert.

19. Műszaki adatok

19.1 Méretek és csatlakozók

SHF | SHL



			SHF 2000	SHF 3000	SHF 4000	SHF 5000	SHF 6000	SHF 7000	SHL 3500	SHL 5000
a10	Készülék	Magasság	mm	650	650	650	650	650	490	490
a20	Készülék	Szélesség	mm	605	780	955	1130	1305	1480	1480
a44	Készülék	Az állítható lábak távolsága	mm	415	590	765	940	1115	1290	1290
b02	Elektr. vezetékek átvezetése I									
b03	Elektr. vezetékek átvezetése II									
i32	Rögzítés	Magasság	mm	464	464	464	464	464	306	306

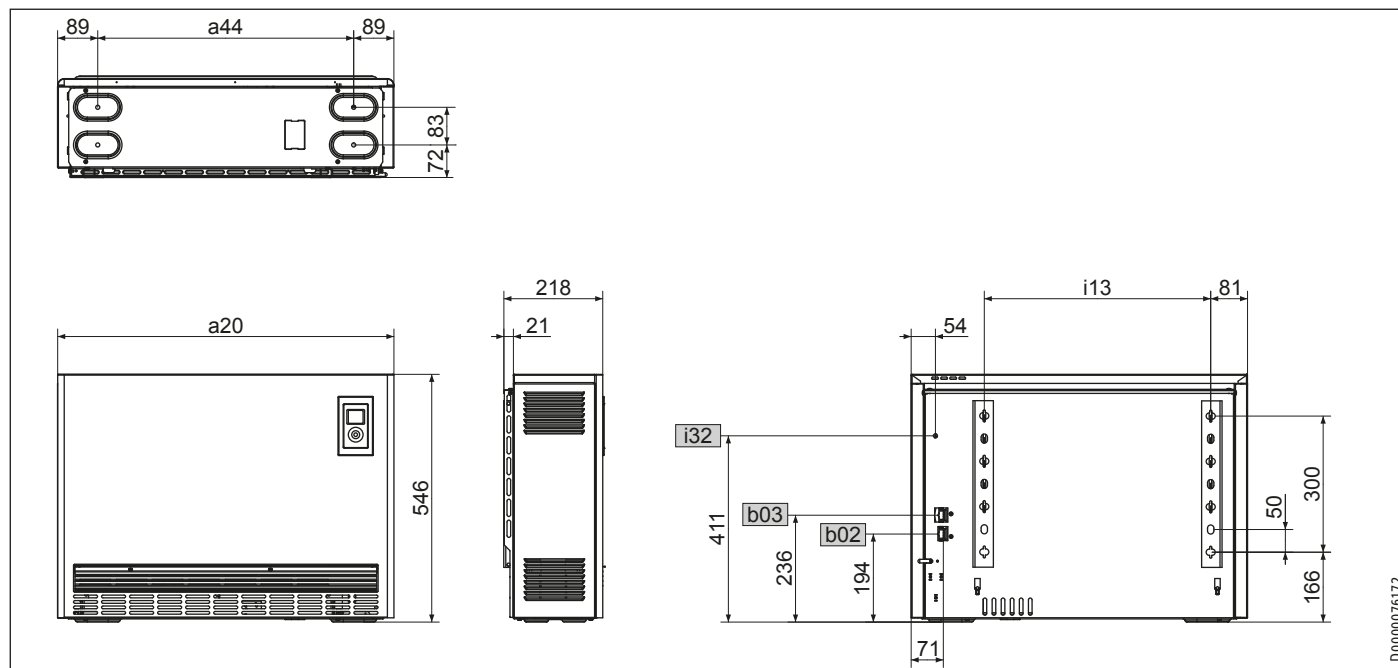
D0000088785

MAGYAR

TELEPÍTÉS

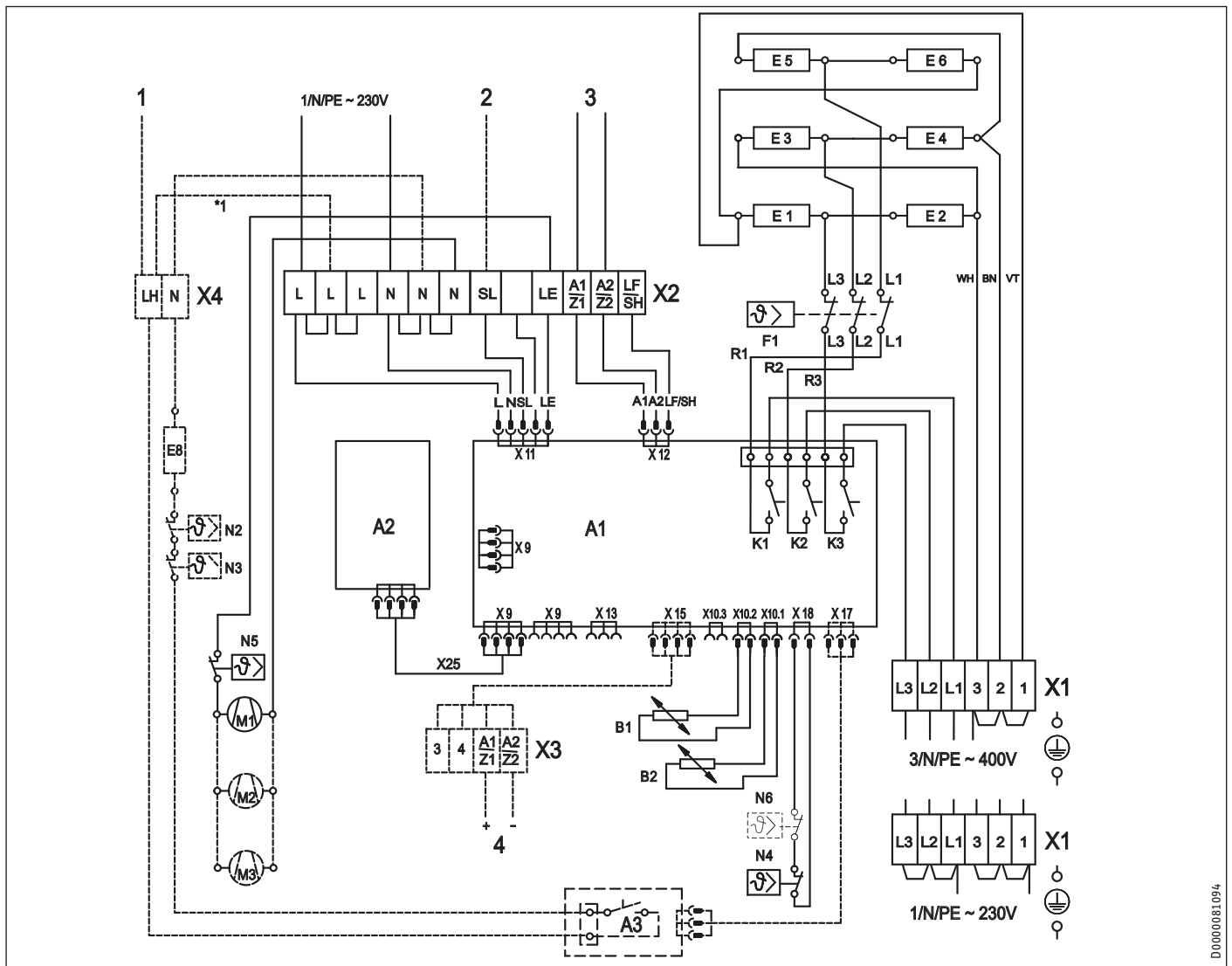
Műszaki adatok

SHS



			SHS 1200	SHS 1800	SHS 2400	SHS 3000	SHS 3600	SHS 4200	SHS 4800	
a20	Készülék	Szélesség	mm	580	741	902	1063	1224	1385	1546
a44	Készülék	Az állítható lábak távolsága	mm	402	563	724	885	1046	1207	1368
b02	Elektr. vezetékek átvezetése I									
b03	Elektr. vezetékek átvezetése II									
i13	Fali tartó	Vízszintes lyuktávolság	mm	337,5	498,5	659,5	820,5	981,5	1142,5	1303,5
i32	Rögzítés									

19.2 Elektromos kapcsolási rajz



Tároló rész

- A1 Elektronikus feltöltés-/űrités-szabályzó
- A2 A kezelőfelület elektronikája
- B1 Magérzékelő - feltöltés
- B2 Helyiség hőmérséklet-érzékelő - űrités
- F1 Biztonsági hőmérséklet-korlátozó
- E1-E6 Fűtőtest
- M1-M3 A hőtároló ventilátora
- N4 Hőmérséklet-korlátozó - feltöltés
- N5 Biztonsági hőmérséklet-szabályzó
- N6 Hőmérséklet-korlátozó - töltöttségi fok
csak SHF 6000-7000, SHS 3000-4800, SHL 5000 esetén
- X25 Belső összekötő vezeték A1-A2
- X1 Hálózati csatlakozókapocs
- X2 Csatlakozókapocs

Rendelhető tartozékok

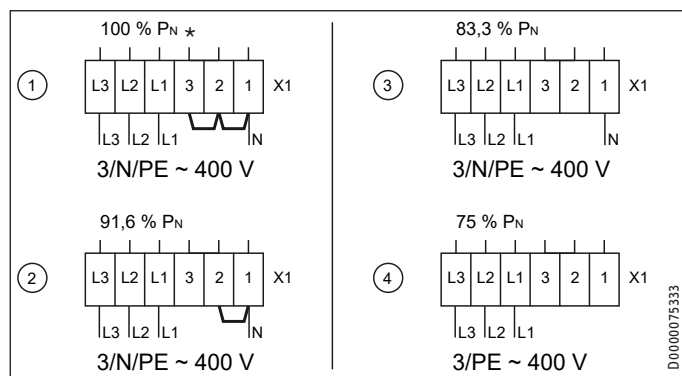
(A készlet nem tartalmazza. A jelölőnégyzetekben kereszttel jelölje be a mindenkori beépített tartozékokat).

- DC csatlakozó**
- X3 Csatlakozókapocs (0,91 ... 1,43 V)
- Kiegészítő fűtés** (belső vezérlés)
*1 / LH - L huzalköteg
- Kiegészítő fűtés** (külső vezérlés)
- A3 Kiegészítőfűtés-modul reléje
- E8 Kiegészítő fűtőtest
- N2 Hőmérséklet-szabályzó - kiegészítő fűtés
- N3 Hőmérséklet-szabályzó - kiegészítő fűtés
- X4 Csatlakozókapocs

Csatlakozók

- 1 (LH) Kiegészítő fűtés külső működtetés (LH)
- 2 (SL) Ventilátor külső működtetés (LE)
- 3 (A1/A2) 230 V-os rendszer AC feltöltésvezérlése
- 4 (A1/A2) Kisfeszültségű rendszer DC feltöltésvezérlése

19.3 A csatlakozási teljesítmény csökkentése a feltöltés névleges időtartamának növelésével



* Soros kapcsolás

SHF | SHS

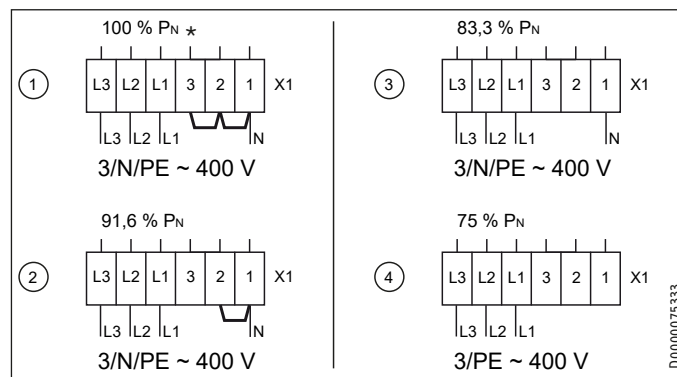
Teljesítményváltozatok					
Bekötési változatok		①	②	③	④
Csatlakozóteljesítmények		100 %	91,6 %	83,3 %	75 %
A feltöltés névleges időtartama		8 óra	9 óra	10 óra	-
Típusok					
SHF 2000	kW	2,00	1,83	1,67	1,50
SHF 3000	kW	3,00	2,75	2,50	2,25
SHF 4000	kW	4,00	3,66	3,33	3,00
SHF 5000	kW	5,00	4,58	4,16	3,75
SHF 6000	kW	6,00	5,50	5,00	4,50
SHF 7000	kW	7,00	6,42	5,83	5,25
SHS 1200	kW	1,20	1,10	1,00	0,90
SHS 1800	kW	1,80	1,65	1,50	1,35
SHS 2400	kW	2,40	2,20	2,00	1,80
SHS 3000	kW	3,00	2,76	2,49	2,25
SHS 3600	kW	3,60	3,30	3,00	2,70
SHS 4200	kW	4,20	3,86	3,51	3,15
SHS 4800	kW	4,80	4,40	4,00	3,60

SHL

Teljesítményváltozatok					
Bekötési változatok		①	②	③	④
Csatlakozóteljesítmények		100 %	91,6 %	83,3 %	75 %
A feltöltés névleges időtartama		7 óra	8 óra	9 óra	10 óra
Típusok					
SHL 3500	kW	3,50	3,21	2,92	2,63
SHL 5000	kW	5,00	4,58	4,16	3,75

19.4 A csatlakozási teljesítmény csökkentése a feltöltés névleges időtartamának megtartásával

- A feltöltés névleges időtartama SHL: 7 óra
- A feltöltés névleges időtartama SHF, SHS: 8 óra



* Soros kapcsolás

Teljesítményváltozatok					
Bekötési változatok		①	②	③	④
Csatlakozóteljesítmények		100 %	91,6 %	83,3 %	75 %
A P8 paraméteren keresztül választható feltöltési fokozatok		100 %	90 %	80 %	70 %

TELEPÍTÉS

Műszaki adatok

19.5 Energiafogyasztási adatok

A termékadatok teljesítik az energiát fogyasztó termékek környezetbarát tervezésére vonatkozó uniós előírásokat.

Termékinformációk elektromos egyedi helyiségfűtő berendezésekhez az (EU) 2015/1188 rendelet szerint

		SHF 2000	SHF 3000	SHF 4000	SHF 5000	SHF 6000	SHF 7000	SHL 3500	SHL 5000
		200175	200176	200177	200178	200179	200180	200304	200305
Gyártó		STIEBEL ELTRON	STIEBEL ELTRON	STIEBEL ELTRON	STIEBEL ELTRON	STIEBEL ELTRON	STIEBEL ELTRON	STIEBEL ELTRON	STIEBEL ELTRON
Hőteljesítmény									
Névleges hőteljesítmény P_{nom}	kW	1,0	1,5	2,0	2,5	3,0	3,5	1,5	2,2
Minimális hőteljesítmény (irányadó érték) P_{min}	kW	0,0	0,0	0,0	0,0	0,0	0,0	0,0	0,0
Maximális folyamatos hőteljesítmény $P_{max,c}$	kW	1,3	2,3	3,0	3,5	4,3	4,9	2,7	3,9

		SHS 1200	SHS 1800	SHS 2400	SHS 3000	SHS 3600	SHS 4200	SHS 4800
		200181	200182	200183	200184	200185	200186	200187
Gyártó		STIEBEL ELTRON	STIEBEL ELTRON	STIEBEL ELTRON	STIEBEL ELTRON	STIEBEL ELTRON	STIEBEL ELTRON	STIEBEL ELTRON
Hőteljesítmény								
Névleges hőteljesítmény P_{nom}	kW	0,6	0,9	1,2	1,5	1,8	2,1	2,4
Minimális hőteljesítmény (irányadó érték) P_{min}	kW	0,0	0,0	0,0	0,0	0,0	0,0	0,0
Maximális folyamatos hőteljesítmény $P_{max,c}$	kW	1,0	1,5	1,8	2,2	2,6	2,8	3,7

Segédáram-fogyasztás									
Névleges hőteljesítménynél $e_{l,max}$	kW	0,000	0,000	0,000	0,000	0,000	0,000	0,000	0,000
Minimális hőteljesítménynél $e_{l,min}$	kW	0,000	0,000	0,000	0,000	0,000	0,000	0,000	0,000
Készenléti állapotban e_{lsb}	kW	0,000	0,000	0,000	0,000	0,000	0,000	0,000	0,000
A hőátadás szabályozásának módja									
A hőátadás kézi szabályozása beépített termosztáttal		-	-	-	-	-	-	-	-
A hőátadás kézi szabályozása a helyiség-hőmérséklet és/vagy a külső hőmérséklet visszajelzésével		-	-	-	-	-	-	-	-
A hőátadás elektronikus szabályozása a helyiség-hőmérséklet és/vagy a külső hőmérséklet visszajelzésével		x	x	x	x	x	x	x	x
Hőátadás ventilátoros támogatással		x	x	x	x	x	x	x	x
A hőteljesítmény jellege/helyiség-hőmérséklet-ellenőrzés									
Egyfokozatú hőteljesítmény, nincs helyiség-hőmérséklet-ellenőrzés		-	-	-	-	-	-	-	-
Kettő vagy több manuálisan beállítható fokozat, nincs helyiség-hőmérséklet-ellenőrzés		-	-	-	-	-	-	-	-
Helyiség-hőmérséklet-ellenőrzés mechanikus hőfokszabályozóval		-	-	-	-	-	-	-	-
Elektronikus helyiség-hőmérséklet-ellenőrzéssel		-	-	-	-	-	-	-	-
Elektronikus helyiség-hőmérséklet-ellenőrzés és napszak szerinti szabályozás		-	-	-	-	-	-	-	-
Elektronikus helyiség-hőmérséklet-ellenőrzés és a hét napjai szerinti szabályozás		x	x	x	x	x	x	x	x
Egyéb szabályozási lehetőségek									
Helyiség-hőmérséklet-ellenőrzés jelenlét-észleléssel		-	-	-	-	-	-	-	-
Helyiség-hőmérséklet-ellenőrzés nyitott ablak észlelésével		x	x	x	x	x	x	x	x
Távműködtetési lehetőséggel		-	-	-	-	-	-	-	-
A fűtés kezdetének adaptív szabályozásával		x	x	x	x	x	x	x	x
Üzemidő-korlátozással		-	-	-	-	-	-	-	-
Sugárzashőmérővel		-	-	-	-	-	-	-	-

TELEPÍTÉS

Műszaki adatok

19.6 Adattábla

SHF | SHL

		SHF 2000	SHF 3000	SHF 4000	SHF 5000	SHF 6000	SHF 7000	SHL 3500	SHL 5000
		200175	200176	200177	200178	200179	200180	200304	200305
Elektromos adatok									
Csatlakozási teljesítmény	W	2000	3000	4000	5000	6000	7000	3500	5000
Névleges feszültség	V	400	400	400	400	400	400	400	400
Fázis		3/N/PE	3/N/PE	3/N/PE	3/N/PE	3/N/PE	3/N/PE	3/N/PE	3/N/PE
Frekvencia	Hz	50/-	50/-	50/-	50/-	50/-	50/-	50/-	50/-
Névleges feltöltés	kWh	16	24	32	40	48	56	28	40
Elektromos kiegészítő fűtés	kW	0,35	0,50	0,80	1,00	1,20	1,50	1,00	1,50
Energetikai adatok									
Központi fűtés éves hatékonysága η_s	%	39,5	39,5	39,5	39,5	39,5	39,5	39,5	39,5
Méretetek									
Magasság	mm	650	650	650	650	650	650	490	490
Szélesség	mm	605	780	955	1130	1305	1480	1130	1480
Mélység	mm	275	275	275	275	275	275	275	275
Súlyadatok									
Súly	kg	32	40	48	56	64	72	55	71
Súly (hőtároló kövekkel)	kg	118	169	220	271	322	373	189	259
Kivitel változatok									
Szín		alpesi fehér	alpesi fehér	alpesi fehér	alpesi fehér	alpesi fehér	alpesi fehér	alpesi fehér	alpesi fehér
Értékek									
4 fokozatú töltöttség-csökkentés		100/90/80/70	100/90/80/70	100/90/80/70	100/90/80/70	100/90/80/70	100/90/80/70	100/90/80/70	100/90/80/70
Hővisszatartási képesség	%	47	52	55	56	59	60	49	50
Üzemi zaj	dB(A)	30	32	33	34	34	34	34	35
Kereskedelmi sajátosságok									
Hőtároló téglacsomagok száma		6	9	12	15	18	21	10	14

SHS

		SHS 1200	SHS 1800	SHS 2400	SHS 3000	SHS 3600	SHS 4200	SHS 4800
		200181	200182	200183	200184	200185	200186	200187
Elektromos adatok								
Csatlakozási teljesítmény	W	1200	1800	2400	3000	3600	4200	4800
Névleges feszültség	V	400	400	400	400	400	400	400
Fázis		3/N/PE	3/N/PE	3/N/PE	3/N/PE	3/N/PE	3/N/PE	3/N/PE
Frekvencia	Hz	50/-	50/-	50/-	50/-	50/-	50/-	50/-
Névleges feltöltés	kWh	9,6	14,4	19,2	24,0	28,8	33,6	38,4
Elektromos kiegészítő fűtés	kW	0,35	0,50	0,80	1,00	1,20	1,50	1,70
Energetikai adatok								
Központi fűtés éves hatékonysága η_s	%	39,5	39,5	39,5	39,5	39,5	39,5	39,5
Méretetek								
Magasság	mm	546	546	546	546	546	546	546
Szélesség	mm	580	741	902	1063	1224	1385	1546
Mélység	mm	218	218	218	218	218	218	218
Súlyadatok								
Súly	kg	24	30	37	43	50	57	63
Súly (hőtároló kövekkel)	kg	74	106	138	169	201	233	265
Kivitel változatok								
Szín		alpesi fehér	alpesi fehér	alpesi fehér	alpesi fehér	alpesi fehér	alpesi fehér	alpesi fehér
Értékek								
4 fokozatú töltöttség-csökkentés		100/90/80/70	100/90/80/70	100/90/80/70	100/90/80/70	100/90/80/70	100/90/80/70	100/90/80/70
Hővisszatartási képesség	%	39	44	46	48	49	51	51
Üzemi zaj	dB(A)	29	28,5	31	32	32	32	32
Kereskedelmi sajátosságok								
Hőtároló téglacsomagok száma		6	9	12	15	18	21	24

Garancia

A Németországon kívül vásárolt készülékekre nem érvényesek cégünk németországi vállalatának garanciális feltételei. Az olyan országokban, amelyekben termékeinket egy leányvállalatunk terjeszti, a garanciát elsősorban a leányvállalatunk biztosítja. Garancia csak akkor nyújtható, ha az adott leányvállalat kiadta saját garanciális feltételeit. Azon felül semmilyen garanciát nem nyújtunk.

Az olyan készülékekre nem tudunk garanciát biztosítani, amelyek olyan országokban vásároltak meg, amelyekben nincs leányvállalatunk. Ezek a rendelkezések nem érintik az importőr által biztosított esetleges garanciát.

Környezetvédelem és újrahasznosítás

► A készülékeket és az anyagokat a használatuk után a nemzeti előírásoknak megfelelően ártalmatlanítsa.



► Ha a készüléken egy áthúzott szemetesekuka szimbóluma látható, vigye a készüléket újrafelhasználás és újrahasznosítás céljából a kommunális gyűjtőhelyekre vagy a kiskereskedelmi visszavételi pontokra.



Ez a dokumentum újrahasznosítható papírból készült.

► A dokumentumot a készülék életciklusának végén a nemzeti előírásoknak megfelelően ártalmatlanítsa.

СПЕЦИАЛЬНЫЕ УКАЗАНИЯ

ЭКСПЛУАТАЦИЯ

1. Общие указания	174
1.1 Указания по технике безопасности	174
1.2 Другие обозначения в данной документации	174
1.3 Указания на приборе	174
1.4 Единицы измерения	174
1.5 Рисунки	174
2. Техника безопасности	174
2.1 Использование по назначению	174
2.2 Общие указания по технике безопасности	175
2.3 Знак технического контроля	175
3. Описание устройства	176
4. Эксплуатация	176
4.1 Блок управления	176
4.2 Аккумуляция тепла	177
4.3 Теплоотдача	178
5. Настройки при использовании встроенного регулятора температуры в помещении	178
5.1 Стандартная индикация	179
5.2 Основное меню	179
5.3 Меню конфигурации	179
6. Настройки при использовании настенного регулятора температуры в помещении	181
6.1 Стандартная индикация	181
6.2 Основное меню	181
6.3 Меню конфигурации	182
7. Чистка, уход и техническое обслуживание	182
7.1 Очистка сетчатого ворсового фильтра	182
8. Поиск и устранение проблем	183

УСТАНОВКА

9. Техника безопасности	184
9.1 Общие указания по технике безопасности	184
9.2 Предписания, стандарты и положения	184
10. Описание устройства	184
10.1 Принцип работы	184
10.2 Комплект поставки	185
10.3 Принадлежности	185
11. Подготовительные мероприятия	185
11.1 Место монтажа	185
11.2 Минимальные расстояния	185
12. Монтаж	185
12.1 Открывание прибора	185
12.2 Настройка устройства управления зарядом	186
12.3 Подключение к сети, соединительные провода	187
12.4 Электрическое подключение	187
12.5 На горизонтальном основании	188
12.6 Варианты монтажа SHS	188
12.7 Установка теплоаккумулирующих блоков	189
12.8 Очистка прибора	190
12.9 Сборка корпуса прибора	190

13. Меню конфигурации	191
14. Ввод в эксплуатацию	193
14.1 Контроль перед вводом в эксплуатацию	193
14.2 Первый ввод в эксплуатацию	193
15. Модернизация прибора	193
16. Передача	193
17. Поиск и устранение неисправностей	194
17.1 Таблица неисправностей	194
17.2 Символы на заводской табличке	195
18. Техобслуживание и очистка	195
19. Технические характеристики	196
19.1 Размеры и соединения	196
19.2 Электрическая схема	198
19.3 Уменьшение подключаемой мощности при увеличении номинальной продолжительности заряда	199
19.4 Уменьшение присоединяемой мощности при сохранении номинальной продолжительности заряда	199
19.5 Характеристики энергопотребления	200
19.6 Таблица параметров	201

ГАРАНТИЯ

ЗАЩИТА ОКРУЖАЮЩЕЙ СРЕДЫ И УТИЛИЗАЦИЯ

СПЕЦИАЛЬНЫЕ
УКАЗАНИЯ

- Следует тщательно хранить данное руководство по эксплуатации и монтажу, чтобы при необходимости иметь его под рукой.
- Прибор должен находиться вне досягаемости детей в возрасте до 3 лет, если они остаются без постоянного присмотра взрослых.

- Детям в возрасте от 3 до 7 лет разрешено включать и выключать прибор только под присмотром взрослых или после соответствующего инструктажа о правилах безопасного пользования и потенциальной опасности в случае несоблюдения этих правил. Непременным условием является монтаж прибора, выполненный в соответствии с указаниями настоящего руководства. Детям в возрасте от 3 до 7 лет запрещено выполнять регулирование прибора.
- Детям старше 8 лет, а также лицам с ограниченными физическими и умственными способностями, не имеющим опыта и не владеющим информацией о приборе, разрешено использовать прибор только под присмотром других лиц или после соответствующего инструктажа о правилах безопасного пользования и потенциальной опасности в случае несоблюдения этих правил.
- Не допускать игр детей с прибором. Дети могут выполнять чистку прибора и те виды технического обслуживания, которые обычно производятся пользователем, только под присмотром взрослых.
- Элементы прибора могут нагреваться до высоких температур и вызывать ожоги. Особая осторожность необходима там, где есть дети, инвалиды и лица пожилого возраста.
- При первой зарядке возможно появление постороннего запаха. Следует обеспечить достаточную вентиляцию помещения.
- Следует соблюдать минимальные расстояния до поверхности ближайших предметов и легковоспламеняющихся материалов (см. главу «Установка / Минимальные расстояния»).
- Запрещено накрывать прибор, это может привести к его перегреву.
- Запрещено располагать на приборе или в непосредственной близости от него какие-либо предметы. Запрещено прислонять какие-либо предметы к прибору.
- Не устанавливать прибор непосредственно под настенной розеткой.
- Следует учитывать значения номинальной зарядки, указанные в главе «Технические характеристики / Таблица параметров».
- Установить прибор так, чтобы лица, принимающие ванну или душ, не могли дотронуться до коммутирующих и регулирующих устройств.
- Разрешено только неразъемное подключение к электросети. Прибор должен отключаться от сети с размыканием контактов по всем полюсам не менее 3 мм.
- Закрепить прибор, как описано в главе «Установка / Монтаж».
- Установку, ввод в эксплуатацию, техническое обслуживание и ремонт прибора может производить только квалифицированный специалист и только в соответствии с настоящим руководством.
- Поврежденная теплоизоляция может привести к перегреву корпуса. Если вы обнаружите повреждения элементов теплоизоляции или какие-либо их изменения, замените эти части.
- Чтобы обеспечить устойчивость прибора, устанавливайте его только на ровную поверхность. Избегайте неровных поверхностей, например, образовавшихся из-за ковров или кафельной плитки, которые частично заходят под прибор.

ЭКСПЛУАТАЦИЯ

1. Общие указания

Главы «Специальные указания» и «Эксплуатация» предназначены для пользователя и специалиста.

Глава «Установка» предназначена для специалиста.



Указание

Перед началом эксплуатации следует внимательно прочитать данное руководство и сохранить его. При необходимости передать настоящее руководство следующему пользователю.

1.1 Указания по технике безопасности

1.1.1 Структура указаний по технике безопасности



СИГНАЛЬНОЕ СЛОВО Вид опасности
Здесь приведены возможные последствия несоблюдения указания по технике безопасности.
► Здесь приведены мероприятия по предотвращению опасности.

1.1.2 Символы, вид опасности

Символ	Вид опасности
	Травма
	Поражение электрическим током
	Ожог (ожог, обваривание)

1.1.3 Сигнальные слова

СИГНАЛЬНОЕ СЛОВО	Значение
ОПАСНОСТЬ	Указания, несоблюдение которых приводит к серьезным травмам или к смертельному исходу.
ПРЕДУПРЕЖДЕНИЕ	Указания, несоблюдение которых может привести к серьезным травмам или к смертельному исходу.
ОСТОРОЖНО	Указания, несоблюдение которых может привести к травмам средней тяжести или к легким травмам.

1.2 Другие обозначения в данной документации



Указание

Общие указания обозначены приведенным рядом с ними символом.

► Внимательно прочитайте тексты указаний.

Символ	Значение
	Материальный ущерб (повреждение оборудования, косвенный ущерб и ущерб окружающей среде)
	Утилизация устройства

► Этот символ указывает на необходимость выполнения определенных действий. Описание необходимых действий приведено шаг за шагом.

1.3 Указания на приборе

Символ	Значение
	Не накрывать прибор

1.4 Единицы измерения



Указание

Если не указано иное, все размеры приведены в миллиметрах.

1.5 Рисунки

Рисунки, представленные в данной документации, являются примерными и могут отличаться от фактического исполнения настоящего прибора.

2. Техника безопасности

2.1 Использование по назначению

Прибор предназначен для обогрева жилых помещений.

Прибор предназначен для бытового использования. Для его безопасного обслуживания пользователю не требуется проходить инструктаж. Возможно использование прибора не только в быту, но и, например, на предприятиях малого бизнеса при условии соблюдения тех же условий эксплуатации.

Любое иное или не указанное в настоящем руководстве использование данного устройства считается использованием не по назначению. Использование по назначению подразумевает соблюдение требований настоящего руководства, а также руководств к используемым принадлежностям.

2.2 Общие указания по технике безопасности

Необходимо соблюдать следующие указания и инструкции по технике безопасности.

- Электромонтаж и установку прибора разрешено выполнять только специалисту или технику нашей сервисной службы и только в соответствии с настоящим руководством.
- Специалист несет ответственность за соблюдение действующих правил во время монтажа и первого ввода в эксплуатацию.
- Использовать прибор следует только в полностью собранном виде со всеми установленными предохранительными устройствами.



ПРЕДУПРЕЖДЕНИЕ травма

- Прибор должен находиться вне досягаемости детей в возрасте до 3 лет, если они остаются без постоянного присмотра взрослых.
- Детям в возрасте от 3 до 7 лет разрешено включать и выключать прибор только под присмотром взрослых или после соответствующего инструктажа о правилах безопасного пользования и потенциальной опасности в случае несоблюдения этих правил. Непременным условием является монтаж прибора, выполненный в соответствии с указаниями настоящего руководства. Детям в возрасте от 3 до 7 лет запрещено выполнять регулирование прибора.
- Детям старше 8 лет, а также лицам с ограниченными физическими и умственными способностями, не имеющим опыта и не владеющим информацией о приборе, разрешено использовать прибор только под присмотром других лиц или после соответствующего инструктажа о правилах безопасного пользования и потенциальной опасности в случае несоблюдения этих правил.
- Не допускать игр детей с прибором. Дети могут выполнять чистку прибора и те виды технического обслуживания, которые обычно производятся пользователем, только под присмотром взрослых.



ПРЕДУПРЕЖДЕНИЕ ожог

Запрещено использовать прибор...

- если не выдержаны минимально допустимые расстояния до ближайших предметов и легковоспламеняющихся материалов.
- в помещениях, где из-за наличия химических веществ, пыли, газов или паров есть опасность воспламенения или взрыва. Перед включением прибора помещение следует хорошо проветрить.
- В непосредственной близости от трубопроводов или емкостей для транспортировки или хранения горючих и взрывоопасных материалов.
- если в помещении, где установлен прибор, проводятся такие работы, как укладка, шлифовка, герметизация.
- при повреждении конструктивного элемента прибора или нарушении его работы.



ПРЕДУПРЕЖДЕНИЕ ожог

- Запрещено класть на прибор или в непосредственной близости от него горючие, легковоспламеняющиеся или теплоизоляционные предметы либо материалы. Запрещено прислонять какие-либо предметы к прибору. Это может привести к накоплению избыточного тепла и, как следствие, слишком высокой температуре поверхности корпуса и предметов.
- Убедиться, что ничто не препятствует прохождению воздуха через впускное и выпускное отверстие.
- Не вставлять никаких предметов между прибором и стеной.



ОСТОРОЖНО ожог

При эксплуатации прибора поверхности корпуса и поток выходящего воздуха имеют высокую температуру (выше 80 °C), что может причинить ожоги. Особая осторожность необходима там, где есть дети, инвалиды и лица пожилого возраста.



ПРЕДУПРЕЖДЕНИЕ перегрев

Запрещено накрывать прибор, это может привести к его перегреву.

2.3 Знак технического контроля

См. заводскую табличку на приборе. Заводская табличка расположена слева на боковой стенке прибора.



Евразийское соответствие

Данный прибор соответствует требованиям безопасности технических регламентов Евразийского Экономического Союза ТР ТС 004/2011, ТР ТС 010/2011, ТР ТС 020/2011 и прошел соответствующие процедуры подтверждения соответствия. Сертификат соответствия № ЕАЭС RU C-DE.AЯ46.B.16284/20, срок действия с 23.10.2020 г. по 22.10.2025 г. Орган по сертификации «РОСТЕСТ-Москва» АО «Региональный орган по сертификации и тестированию».

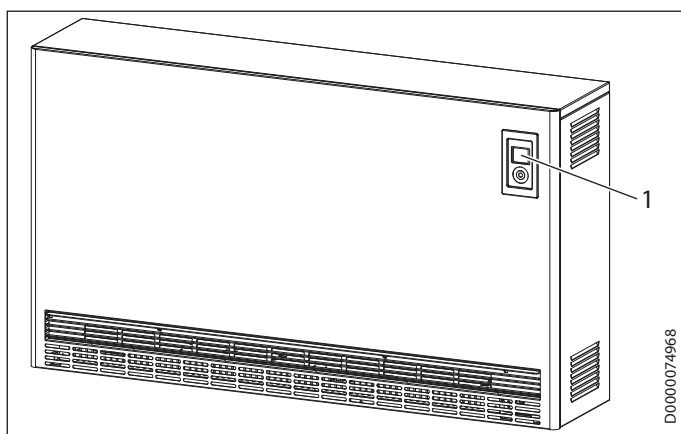
3. Описание устройства

Это прибор аккумулирует тепло, выработанное из электроэнергии. Прибор преобразует электроэнергию в тепло в период действия тарифа для внепиковых нагрузок.

Время действия тарифа для внепиковых нагрузок определяется энергоснабжающим предприятием. Преимущественно это время приходится на ночные часы.

Накопленное тепло используется для поддержания заданной температуры в помещении; отдача тепла осуществляется преимущественно в виде теплого воздуха с помощью вентилятора, а незначительная часть поступает в помещение через поверхность прибора.

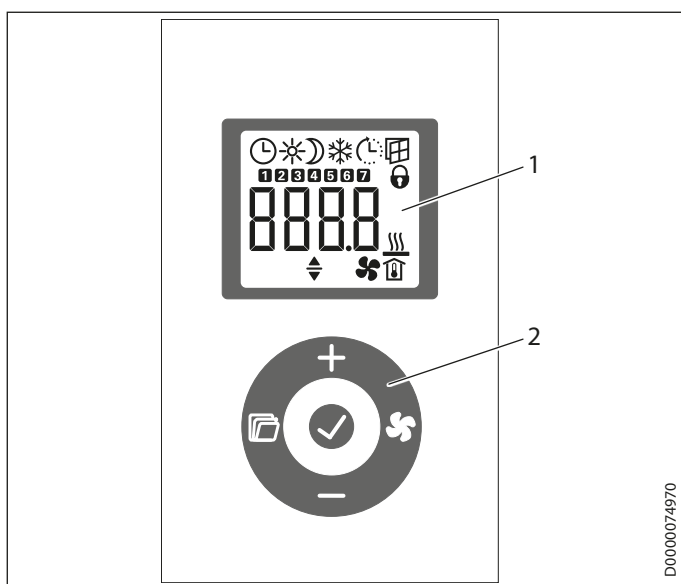
4. Эксплуатация



1 Блок управления

4.1 Блок управления

Управление производится с помощью пульта управления, который находится справа сверху на фронтальной стороне прибора.



1 Индикатор
2 Интерфейс пользователя

4.1.1 Интерфейс пользователя

Кнопка	Обозначение	Описание
	Кнопка «Вентилятор»	Включение и выключение разрешения на работу вентилятора
	Кнопка «ОК»	Выбор; подтверждение настроек
	Кнопка «Меню»	Вызов меню и выход из меню
	Кнопка «+»	Вызов пунктов меню; изменение настроек
	Кнопка «-»	Вызов пунктов меню; изменение настроек







4.1.2 Индикатор

Если в течение 30 секунд пользователь не выполняет никаких действий, фоновая подсветка выключается. Чтобы снова включить фоновую подсветку, достаточно нажать любую кнопку.

Символы

Указание
Если теплоотдача (разрядка) регулируется с помощью настенного регулятора температуры в помещении, отображаются не все символы.

Символ	Описание
	Индикатор времени Отображает текущее время или запрограммированное время включения. Режим таймера Прибор производит нагрев в соответствии с активированной программой-таймером.
	Комфортный режим Прибор поддерживает заданную комфортную температуру. Стандартное значение 21,0 °С. Данную настройку для поддержания комфортной температуры в помещении используют во время присутствия там людей.
	Режим пониженной температуры Прибор поддерживает заданную температуру с более низким значением. Стандартное значение 18,0 °С. Данную настройку используют для ночного времени или при отсутствии в помещении людей в течение нескольких часов.
	Адаптивное включение В режиме таймера периоды переключения отопительного прибора адаптируются таким образом, чтобы заданное значение температуры в помещении было достигнуто к моменту запрограммированного времени включения. Условие Функция «Адаптивное включение» должна быть включена (см. главу «Настройки со встроенным регулятором температуры в помещении / Основное меню»).
	Обнаружение открытого окна Чтобы предотвратить ненужное энергопотребление во время проветривания, прибор распознает открытое окно и автоматически снижает заданное значение температуры в помещении на один час до 7,0 °С. Символ «Обнаружение открытого окна» мигает. После проветривания функцию распознавания открытого окна можно отключить вручную при помощи кнопок «+» или «ОК». Прибор снова начнет нагрев до заданного значения температуры в помещении. Условие Функция «Обнаружение открытого окна» должна быть включена (см. главу «Настройки со встроенным регулятором температуры в помещении / Основное меню»).

Символ	Описание
	Блокирование управления Для блокирования или деблокирования интерфейса пользователя нужно одновременно удерживать нажатыми в течение 5 секунд кнопки «+» и «-».
	Разрешение работы дополнительного нагревателя (принадлежности) Если накопленного количества тепла для обогрева помещения не хватает, включается дополнительный нагреватель.
	Индикатор температуры в помещении
	Разрешение на работу вентилятора активировано Если температура в помещении опускается ниже заданного значения, включается вентилятор и подает в помещение нагретый воздух, пока температура не достигнет заданного значения.
	Изменение параметра Отображенный параметр можно изменить при помощи кнопок «+» и «-».
	Дни недели 1 = понедельник, 2 = вторник... 7 = воскресенье

4.2 Аккумуляция тепла

Температура аккумулируемого тепла (заряда аккумулятора тепла) в градусах определяется с помощью устройства управления зарядом.

Необходимые настройки на устройстве управления зарядом зависят от того, как эксплуатируется прибор: с центральным устройством управления зарядом, учитывающим погодные условия, или без него.

Устройство управления зарядом, учитывающее погодные условия, находится в электрошкафу.

4.2.1 Приборы с устройством управления зарядом, учитывающим погодные условия

- ▶ С помощью кнопки «Меню» вызвать в основном меню функцию снижения уровня загрузки (см. главу «Настройки со встроенным регулятором температуры в помещении / Основное меню»).
- ▶ Нажать кнопку «ОК». При появлении символа «Изменение параметра» с помощью кнопок «+» и «-» установить значение параметра снижения уровня загрузки на 100 %.



Указание

Если теплоотдача (разрядка) регулируется с помощью настенного регулятора температуры в помещении, в стандартной индикации с помощью кнопок «+» и «-» необходимо выполнить настройку параметра снижения уровня загрузки.

Устройство управления зарядом, учитывающее погодные условия, обеспечивает соответствующий заряд.



Указание

Следует учитывать указания руководства по эксплуатации устройства управления зарядом или устройства управления группой приборов.

Чтобы на отдельных приборах выполнить разную настройку, через параметр снижения уровня загрузки можно произвести дополнительную ручную корректировку объема заряда.

Если параметр снижения уровня загрузки установлен на 0 %, зарядка не производится.

4.2.2 Приборы без устройства управления зарядом, учитывающего погодные условия

Для зарядки без устройства управления зарядом, учитывающего погодные условия, есть две возможности:

Управление зарядом через параметр снижения уровня загрузки

Объем заряда задается через параметр снижения уровня загрузки.

- ▶ С помощью кнопки «Меню» вызвать в основном меню функцию снижения уровня загрузки (см. главу «Настройки со встроенным регулятором температуры в помещении / Основное меню»).
- ▶ Нажать кнопку «ОК». При появлении символа «Изменение параметра» нужно изменить значение параметра снижения уровня загрузки, используя кнопки «+» и «-».



Указание

Если теплоотдача (разрядка) регулируется с помощью настенного регулятора температуры в помещении, в стандартной индикации с помощью кнопок «+» и «-» необходимо выполнить настройку параметра снижения уровня загрузки.

Ориентировочные значения:

Значение	Объем заряда
0 %	зарядка не производится (летом)
30 %	ок. 1/3 полной зарядки в переходный период, например, весной или осенью
70 %	ок. 2/3 полной зарядки в теплый зимний период
100 %	полная зарядка в холодный зимний период

Через некоторое время накопится необходимый опыт для правильного выбора настройки.

Устройство управления зарядом, учитывающее температуру в помещении (C-PLUS TECHNOLOGY)

Устройство управления зарядом, учитывающее температуру в помещении, автоматически изменяет объем заряда в соответствии с теплотреблением помещения. Необходимый объем определяется в зависимости от температуры в помещении, скорости вентилятора и остаточного заряда прибора. Основная цель – накопление такого количества тепла, которого будет достаточно для поддержания заданной температуры в помещении до конца дня.



Указание

- Прибор должен быть постоянно подключен к электропитанию.
- Разрешение на загрузку может поступать через сигнал энергоснабжающего предприятия LF (необходимо подключение сигнала LF) или от внутренних часов; выбор производится через параметр P15 в меню конфигурации.
- Обязательным условием является постоянное включение разрешения на работу вентилятора.
- При первом вводе в эксплуатацию или после отключения электропитания на период, превышающий 8 часов, заряд достигает 60 %.
- Работа устройства управления зарядом, учитывающего температуру в помещении, зависит от условий помещения. На объем заряда могут влиять воздействие солнечных лучей и неблагоприятные погодные условия.
- Для определения оптимального объема заряда может понадобиться несколько дней.
- Если прибор длительное время работал в режиме пониженной температуры (напр., при отсутствии в помещении людей), то активацию комфортного режима нужно произвести заблаговременно, за 1 – 2 дня.
- Если теплоотдача (разрядка) регулируется с помощью настенного регулятора температуры в помещении, возможны отклонения от комфортных условий. Прибору недостает сведений о температуре в помещении. Поэтому рекомендуется использовать встроенный регулятор температуры в помещении.

Если по вечерам температура в помещении постоянно превышает комфортную, снизить теплоотдачу прибора можно с помощью параметра снижения уровня загрузки.



Указание

При использовании устройства управления зарядом, учитывающего температуру в помещении, функция снижения уровня загрузки существенно отличается от описаний главы «Аккумуляция тепла / Управление зарядом через параметр снижения уровня загрузки». Заряд может накапливаться даже при настройке 0 %.

- ▶ С помощью кнопки «Меню» вызвать в основном меню функцию снижения уровня загрузки (см. главу «Настройки со встроенным регулятором температуры в помещении / Основное меню»).
- ▶ Нажать кнопку «ОК». При появлении символа «Изменение параметра» нужно изменить значение параметра снижения уровня загрузки, используя кнопки «+» и «-».

Если помещению больше не требуется энергия для нагрева, объем заряда постепенно уменьшается до нуля. Накопление заряда возобновится после того, как помещению снова потребуются энергия для нагрева.

4.3 Теплоотдача

Регулировка теплоотдачи (разрядки) осуществляется с помощью встроенного в прибор регулятора температуры в помещении или настенного 2-позиционного регулятора температуры в помещении (см. главу «Принадлежности»).

Регулятор температуры в помещении автоматически регулирует теплоотдачу с помощью вентилятора, поддерживая при этом температуру в помещении на заданном уровне. Для работы вентилятора необходимо включить разрешение на его работу.



Указание

При многодневном отсутствии людей во время отопительного периода рекомендуется понизить заданное значение температуры в помещении, например, до 10 °С. Такая настройка предотвратит слишком сильное охлаждение помещения (защита от замерзания).

4.3.1 Включение и выключение разрешения на работу вентилятора

- ▶ Для включения или выключения разрешения на работу вентилятора необходимо нажать кнопку «Вентилятор». Если разрешение на работу вентилятора включено, на дисплее отображается символ вентилятора.



Указание

При использовании устройства управления зарядом, учитывающего температуру в помещении, разрешение на работу вентилятора должно быть включено постоянно.

5. Настройки при использовании встроенного регулятора температуры в помещении

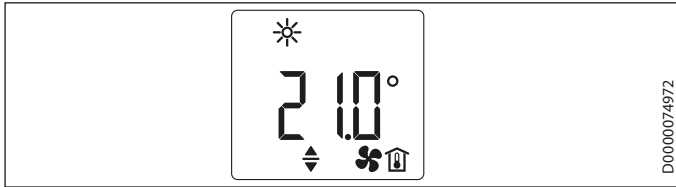
При временном отключении электроснабжения все настройки сохраняются. Прибор имеет определенный запас хода, позволяющий сохранять данные о днях недели и времени на протяжении нескольких часов.



Указание

Если электроснабжение отключается более чем на 8 часов, после включения появится указание о необходимости выполнить настройку дня недели и времени. На дисплее мигает индикация «- :- -». Если включена блокировка управления, для разблокирования интерфейса пользователя нужно одновременно удерживать нажатыми в течение 5 секунд кнопки «+» и «-».

5.1 Стандартная индикация



Стандартная индикация отображается постоянно. Если пользователь вошел в меню и в течение 30 секунд не выполняет никаких действий, прибор автоматически переходит в режим стандартной индикации.

Стандартная индикация включает текущее заданное значение температуры в помещении и символ «Изменение параметра». Изменить заданное значение температуры в помещении можно при помощи кнопок «+» и «-».

Если заданное значение температуры в помещении соответствует заданному значению комфортного режима или значению пониженной температуры, на линейке меню появляется символ соответствующего режима работы (комфортного или пониженной температуры).

В режиме таймера заданное значение температуры в помещении можно также изменить вручную. Измененное значение заданной температуры в помещении будет сохраняться до следующего запрограммированного пункта переключения.

5.2 Основное меню

Для входа в основное меню нужно нажать кнопку «Меню». После это можно вызвать следующие пункты меню:

Индикатор	Описание
	Настройка параметра снижения уровня загрузки В те дни, когда снижается теплотребление, можно произвести ручную корректировку объема заряда с шагом изменения настройки в 10 %.
	Установка дня недели и времени Дни недели: 1 = понедельник ... 7 = воскресенье
	Настройка комфортной температуры Значение комфортной температуры должно быть установлено как минимум на 0,5 °C выше, чем значение пониженной температуры.
	Настройка пониженной температуры Значение пониженной температуры должно быть установлено как минимум на 0,5 °C выше, чем значение комфортной температуры.
	Включение и выключение функции «Обнаружение открытого окна»
	Выбор или выключение (off) программы-таймера (Pro1, Pro2, Pro3)

Индикатор	Описание
	Включение и выключение функции «Адаптивное включение»
	Включение и выключение дополнительного нагревателя (принадлежности) Индикация отображается только в том случае, если дополнительный нагреватель установлен и активирован.

При необходимости изменить настройки в пункте меню соответствующий пункт меню нужно вызвать кнопками «+» и «-». Нажать кнопку «OK».

При появлении символа «Изменение параметра» можно выполнить изменение настройки пункта меню, используя кнопки «+» и «-». Для сохранения настройки нажать кнопку «OK».

Для выхода из основного меню нужно нажать кнопку «Меню». Отобразится стандартная индикация.

5.3 Меню конфигурации

Индикатор	Описание
I1-I2	Фактические значения
Pro1-Pro3	Программы-таймеры
P1-P5	Параметр
Код	Доступ для специалистов

В меню конфигурации можно вызвать фактические значения, запрограммировать работу в режиме таймера и настроить параметры.

Для входа в меню конфигурации нужно удерживать нажатой кнопку «Меню». Примерно через 3 секунды отобразится фактическое значение I1.

При помощи кнопок «+» и «-» можно выполнять переход между фактическими значениями, программами-таймерами и параметрами.

Для выхода из меню конфигурации нужно нажать кнопку «Меню». Отобразится стандартная индикация.

5.3.1 Фактические значения

Можно вызвать следующие фактические значения:

Индикатор	Описание	Единица
I1	Фактическая температура в помещении	[°C] [°F]
I2	Относительная длительность нагрева (сбросить счетчик можно через параметр P5)	[ч]

Указание

Счетчик относительной длительности нагрева (I2) ведет учет времени заряда в полных часах. Если зарядка прибора продолжалась полный час, в том числе поэтапно, показание счетчика увеличивается.

5.3.2 Программы-таймеры

Для работы в режиме таймера предлагаются три программы таймера. Программы-таймеры Pro1 и Pro2 предварительно сконфигурированы производителем. Программу-таймер Pro3 потребитель может задать по своему усмотрению.

Индикатор	Описание
Pro1	Программа-таймер «ежедневно» - повторение понедельник – воскресенье
Pro2	Программа-таймер «рабочие дни» - повторение понедельник – пятница
Pro3	Программа-таймер «задано пользователем» - свободная конфигурация до 14 фаз комфортного режима



Указание

Если собираетесь использовать режим таймера, нужную программу необходимо выбрать в основном меню (см. главу «Настройки при использовании встроенного регулятора температуры в помещении / Основное меню»).



Указание

При настройке программ-таймеров необходимо следить за правильностью ввода дней недели и времени.



Указание

Во всех программах-таймерах (Pro1, Pro2, Pro3) необходимо учитывать следующее: если конечная точка временного окна находится после 23:59, то она автоматически переносится на следующий день недели. Фаза комфортного режима в полночь не прекращается и заканчивается в заданной конечной точке временного окна на следующий день недели.

Программы-таймеры Pro1 и Pro2

Программы-таймеры Pro1 и Pro2 дают возможность определить начальную и конечную точку временного окна комфортного режима. В этот период времени прибор осуществляет нагрев до заданной комфортной температуры. Вне заданного периода времени прибор работает в режиме пониженной температуры. Эти периоды представляют собой фазу комфортного режима и фазу понижения температуры, повторяющиеся каждый день недели (Pro1) или каждый рабочий день (Pro2).

Заводская конфигурация предполагает следующие фазы:

- 8:00 – 22:00 Комфортная температура
- 22:00 – 8:00 Режим пониженной температуры



Указание

Если активирована программа-таймер Pro2, то все выходные прибор работает в режиме пониженной температуры.

Для адаптации программ-таймеров Pro1 и Pro2 к потребностям потребителя нужно выполнить следующее:

- ▶ При помощи кнопок «+» и «-» вызвать нужную программу-таймер.
- ▶ Нажать кнопку «ОК». Появится индикация времени начальной точки временного окна комфортного режима.
- ▶ При помощи кнопок «-» и «+» задать нужное время начальной точки временного окна.
- ▶ Нажать кнопку «ОК». Появится индикация времени конечной точки временного окна комфортного режима.
- ▶ При помощи кнопок «-» и «+» задать нужное время начальной точки временного окна.
- ▶ Для сохранения нажать кнопку «ОК».

Программа-таймер Pro3

Программа-таймер Pro3 позволяет задать до 14 независимых фаз комфортного режима, которые будут повторяться еженедельно.

Для конфигурирования фазы комфортного режима в рамках программы-таймера Pro3 нужно выполнить следующее:

- ▶ При помощи кнопок «+» и «-» вызвать программу-таймер Pro3.
- ▶ Нажать кнопку «ОК». Индикатор показывает «3---».
- ▶ Нажать кнопку «ОК». Появится индикация одного дня недели или группы из нескольких дней недели.
- ▶ При помощи кнопок «+» и «-» выбрать нужный день недели или группу из нескольких дней недели.
- ▶ Нажать кнопку «ОК». Появится индикация времени начальной точки временного окна комфортного режима.
- ▶ При помощи кнопок «-» и «+» задать нужное время начальной точки временного окна.
- ▶ Нажать кнопку «ОК». Появится индикация времени конечной точки временного окна комфортного режима.
- ▶ При помощи кнопок «-» и «+» задать нужное время начальной точки временного окна.
- ▶ Нажать кнопку «ОК». Конфигурация фазы комфортного режима «3-01» выполнена.
- ▶ Для конфигурирования следующей фазы комфортного режима при помощи кнопок «+» и «-» выбрать индикацию «3---». Повторить описанные выше шаги.



Указание

Для сброса заданных фаз комфортного режима нужно активировать параметр P4.

- ▶ Следует учитывать, что при активации параметра P4 все программы-таймеры (Pro1, Pro2, Pro3) сбрасываются до заводских настроек.

5.3.3 Параметр

Можно вызвать следующие параметры:

Индикатор	Описание	Параметры
P1	Смещение температуры в помещении	± 3 °C ± 5 °F
P2	Формат времени	12 ч 24 ч
P3	Единица измерения температуры	°C °F
P4	Сброс программ-таймеров (режима таймера)	ВКЛ ВЫКЛ
P5	Сброс относительной длительности нагрева	ВКЛ ВЫКЛ

При необходимости изменить значение параметра соответствующий параметр нужно вызвать кнопками «+» и «-». Нажать кнопку «ОК».

При появлении символа «Изменение параметра» можно выполнить изменение значения параметра, используя кнопки «+» и «-». Для сохранения настройки параметра нажать кнопку «ОК».

P1: Смещение температуры в помещении

Неравномерность температуры в помещении может стать причиной различия между отображаемой фактической температурой I1 и значением, полученным при измерении температуры в помещении другим устройством. Для компенсации этого различия через параметр P1 можно настроить смещение температуры в помещении на ± 3 °C.

Пример: Прибор показывает I1 = 21,0 °C. При измерении температуры в помещении другим устройством результат равен 20,0 °C. Соответственно, различие составляет 1,0 °C.

- Для компенсации этого различия нужно настроить смещение P1 = -1,0.

P2: Формат времени

Через параметр P2 можно настроить формат индикации времени — 12 часов или 24 часа.

P3: Единица измерения температуры

Через параметр P3 можно настроить единицу измерения температуры — градус Цельсия [°C] или градус Фаренгейта [°F].

P4: Сброс программ-таймеров

При активации параметра P4 все программы-таймеры сбрасываются до заводских настроек.

P5: Сброс относительной длительности нагрева

При активации параметра P5 выполняется сброс счетчика относительной длительности нагрева (I2).

5.3.4 Доступ для специалистов

Индикатор	Описание
Код	Доступ для специалистов



Указание

Доступ к некоторым пунктам меню, которые разрешено просматривать и изменять только квалифицированным специалистам, защищен паролем.

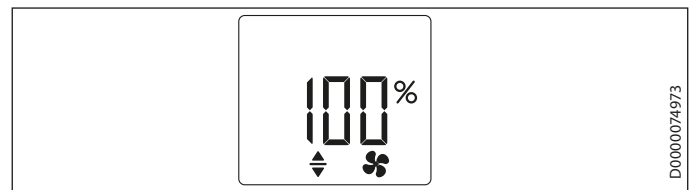
6. Настройки при использовании настенного регулятора температуры в помещении



Указание

Если теплоотдача (разрядка) регулируется с помощью настенного регулятора температуры в помещении, возможности настройки у пользователя весьма ограничены.

6.1 Стандартная индикация



Стандартная индикация отображается постоянно. Если пользователь вошел в меню и в течение 30 секунд не выполняет никаких действий, прибор автоматически переходит в режим стандартной индикации.

Стандартная индикация включает текущую настройку параметра снижения уровня загрузки и символ «Изменение параметра». С помощью кнопок «+» и «-» для тех дней, когда снижается теплотребление, можно выполнить ручную корректировку объема заряда с шагом изменения настройки в 10 %.

6.2 Основное меню



Указание

Вызвать основное меню можно лишь в том случае, если прибор оснащен дополнительным нагревателем (принадлежности).

Для входа в основное меню нужно нажать кнопку «Меню».

Индикатор	Описание
	Включение и выключение дополнительного нагревателя (принадлежности) Если прибор используется с настенным регулятором температуры в помещении с выключателем дополнительного нагревателя, основное меню тоже должно содержать дополнительный нагреватель.

Для изменения настройки пункта меню необходимо нажать кнопку «ОК».

При появлении символа «Изменение параметра» можно выполнить изменение настройки пункта меню, используя кнопки «+» и «-». Для сохранения настройки нажать кнопку «ОК».

Для выхода из основного меню нужно нажать кнопку «Меню». Отобразится стандартная индикация.

6.3 Меню конфигурации

Индикатор	Описание
I2	Фактическое значение
P5	Параметр
Код	Доступ для специалистов

Для входа в меню конфигурации нужно удерживать нажатой кнопку «Меню». Примерно через 3 секунды отобразится фактическое значение I2.

При помощи кнопок «+» и «-» можно выполнять переход между фактическим значением и параметром.

Для выхода из меню конфигурации нужно нажать кнопку «Меню». Отобразится стандартная индикация.

6.3.1 Фактическое значение

Индикатор	Описание	Единица
I2	Относительная длительность нагрева (сбросить счетчик можно через параметр P5)	[ч]



Указание

Счетчик относительной длительности нагрева (I2) ведет учет времени заряда в полных часах. Если зарядка прибора продолжалась полный час, в том числе поэтапно, показание счетчика увеличивается.

6.3.2 Параметр

Индикатор	Описание	Параметры
P5	Сброс счетчика относительной длительности нагрева При активации параметра выполняется сброс счетчика относительной длительности нагрева (I2).	ВКЛ ВЫКЛ

Для изменения настройки параметра необходимо нажать кнопку «ОК».

При появлении символа «Изменение параметра» можно выполнить изменение настройки параметра, используя кнопки «+» и «-». Для сохранения настройки нажать кнопку «ОК».

6.3.3 Доступ для специалистов

Индикатор	Описание
Код	Доступ для специалистов



Указание

Доступ к некоторым пунктам меню, которые разрешено просматривать и изменять только квалифицированным специалистам, защищен паролем.

7. Чистка, уход и техническое обслуживание



Материальный ущерб

- Не распылять чистящее средство в воздухозаборные и выпускные отверстия.
- Не допускать попадания влаги внутрь прибора.

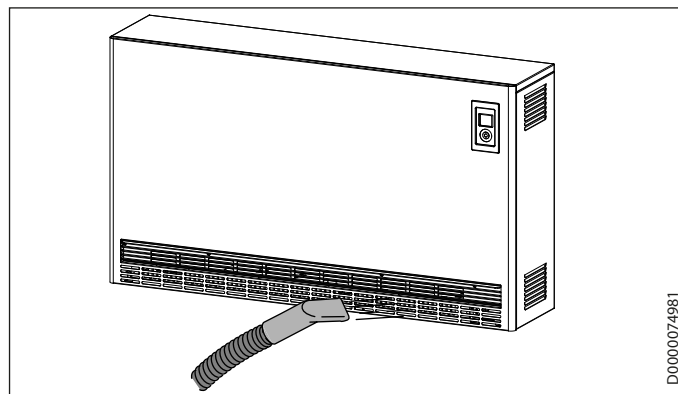
- Потемнения, появившиеся на корпусе прибора, можно удалить влажной тканевой салфеткой.
- Чистку прибора производить только после его охлаждения, используя обычные чистящие средства. Не использовать абразивные и едкие чистящие средства.

7.1 Очистка сетчатого ворсового фильтра



Указание

Сетчатый ворсовый фильтр, установленный за воздухозаборным отверстием, нуждается в регулярной очистке. Это необходимо для бесперебойной теплоотдачи прибора. При загрязнении сетчатого ворсового фильтра выключить вентилятор.



- Очистить сетчатый ворсовый фильтр, установленный за воздухозаборным отверстием, с помощью пылесоса.

8. Поиск и устранение проблем

Проблема	Причина	Способ устранения
Прибор не нагревается.	Настройка заряда не выполнена или выбрано слишком низкое значение. Отсутствует питание.	Увеличить значение заряда. Проверить предохранитель и УЗО электрической сети в здании.
Прибор с устройством управления зарядом, учитывающим температуру в помещении, не нагревается.	Установлена слишком низкая температура. Выключено разрешение на работу вентилятора.	Проверить настройку температуры в помещении. При необходимости изменить настройку. Включить разрешение на работу вентилятора.
Температура в помещении остается низкой, хотя прибор при этом нагревается.	Перегрев. Предохранительный ограничитель температуры ограничивает мощность нагрева. Установлена слишком низкая температура. Выключено разрешение на работу вентилятора.	Устранить причину (впускное или выпускное отверстие загрязнено, ограничено движение воздуха через впускное или выпускное отверстие). Необходимо соблюдать минимальные расстояния! Проверить настройку температуры в помещении. При необходимости изменить настройку. Включить разрешение на работу вентилятора.
	Теплопотребление помещения выше, чем теплопроизводительность прибора.	Устранить потери тепла (закрыть окна и двери, не допускать постоянного проветривания).
Слишком высокая теплоотдача даже при теплой погоде.	Неправильно выполнена настройка устройства управления зарядкой, учитывающего погодные условия, и/или регулятора заряда.	Откорректировать настройку.
Температура в помещении слишком высокая.	Установлена слишком высокая температура.	Проверить настройку температуры в помещении. При необходимости изменить настройку.
Прибор с устройством управления зарядом, учитывающим температуру в помещении, по вечерам постоянно поддерживает слишком высокую температуру в помещении.	В приборе настроена слишком высокая теплоотдача.	Понизить уровень теплоотдачи с помощью параметра снижения уровня загрузки.
Прибор не осуществляет теплоотдачу.	Засорился сетчатый ворсовый фильтр.	См. главу «Чистка, уход и техническое обслуживание».

Проблема	Причина	Способ устранения
Функция «Обнаружение открытого окна» не работает.	Прибор не обнаруживает существенного снижения температуры во время проветривания. (функция «Обнаружение открытого окна» предполагает, что до проветривания температура в помещении была постоянной).	После завершения настроек прибора необходимо немного подождать, пока температура в помещении не станет постоянной. Устранить ограничение движения воздуха через впускное или выпускное отверстие прибора. Заблокировать вентилятор на время проветривания.
	Функция «Обнаружение открытого окна» не активирована.	Включить функцию «Обнаружение открытого окна» в основном меню.
Функция «Адаптивное включение» не работает должным образом.	Эта функция работает только в режиме таймера. Значительные колебания температуры в помещении, прибор не завершил процесс запоминания.	Для оптимизации комфортного отопления нужно использовать режим таймера. Подождать несколько дней, пока режим работы прибора не стабилизируется.
	Функция «Адаптивное включение» не активирована.	Включить функцию «Адаптивное включение» в основном меню.
Индикатор показывает «E1», «E2» или «E3».	Обнаружена внутренняя ошибка.	Необходимо сообщить об этом специалисту.



Указание

Изменения или устраненные проблемы, выполненные на устройстве управления зарядом, будут заметны лишь после повторного заряда.

Если невозможно устранить эту неисправность самостоятельно, нужно вызвать специалиста. Чтобы специалист смог оперативно помочь, следует сообщить ему номер прибора с заводской таблички (000000-0000-000000).

УСТАНОВКА

9. Техника безопасности

Установка, ввод в эксплуатацию, а также техническое обслуживание и ремонт прибора должны производиться только квалифицированным специалистом.



ПРЕДУПРЕЖДЕНИЕ поражение электрическим током

Наклейку с предупредительной надписью «Achtung - Fernsteuerung! [Внимание! Дистанционное управление!]» на уголке для крепления клемм сетевого питания необходимо заменить на прилагаемую наклейку с предупредительной надписью на языке вашей страны.

9.1 Общие указания по технике безопасности

Безупречная работа и эксплуатационная безопасность прибора гарантируются только при использовании соответствующих оригинальных принадлежностей и оригинальных запчастей.

9.2 Предписания, стандарты и положения



ПРЕДУПРЕЖДЕНИЕ поражение электрическим током

Все работы по электрическому подключению и установке необходимо производить в соответствии с инструкцией.



ПРЕДУПРЕЖДЕНИЕ поражение электрическим током

Подключение к электросети должно быть неразъемным. Прибор должен отключаться от сети с размыканием контактов по всем полюсам не менее 3 мм.



Материальный ущерб

Учитывать данные на заводской табличке. Напряжение сети должно совпадать с указанным на табличке. Оборудование должно быть рассчитано на номинальную потребляемую мощность приборов.



Материальный ущерб

Закрепить прибор на стене или полу так, чтобы обеспечить его устойчивость.



Материальный ущерб

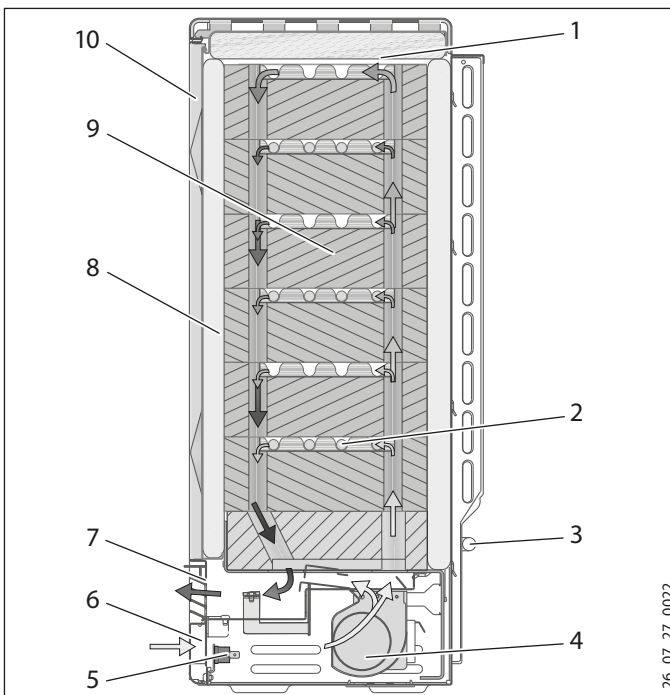
- Запрещено устанавливать прибор непосредственно под настенной розеткой.
- Не допускать контакта кабеля с элементами прибора.



Указание

Необходимо соблюдать все национальные и региональные предписания и положения.

10. Описание устройства



- 1 Панель
- 2 Нагревательные элементы
- 3 Датчик температуры в помещении
- 4 Вентилятор (M1)
- 5 Защитный регулятор температуры (N5)
- 6 Впуск воздуха
- 7 Выпуск воздуха
- 8 Изоляция
- 9 Теплоаккумулирующие блоки
- 10 Передняя стенка и внутренняя передняя стенка

10.1 Принцип работы

Нагрев теплоаккумулирующих блоков осуществляется с помощью нагревательных элементов, расположенных между рядами теплоаккумулирующих блоков. Настройка зарядки осуществляется с помощью устройства управления зарядом. Время начала и продолжительность зарядки определяются соответствующим энергоснабжающим предприятием.

Защиту от перегрева прибора обеспечивают два встроенных защитных регулятора температуры и предохранительный ограничитель температуры. Защитные регуляторы температуры включаются самостоятельно, а повторное включение предохранительного ограничителя температуры после устранения причины неисправности необходимо выполнить вручную, вдавливанием кнопки в средней части ограничителя.

Отдача накопленного тепла осуществляется с помощью вентилятора, а некоторая часть поступает в помещение через поверхность прибора. Вентилятор всасывает воздух помещения через воздухозаборное отверстие и направляет его в воздушные каналы термоаккумулирующих блоков, при этом воздух нагревается.

Перед выходом из выпускной решетки горячий воздух проходит через две откидные заслонки и смешивается с более прохладным воздухом помещения, чтобы его температура не превышала максимально допустимую. Положение откидных заслонок, обеспечивающее соотношение горячего и холодного воздуха, регулируется с помощью биметаллического регулятора.

10.2 Комплект поставки

В комплект поставки прибора входят:

- Теплоаккумулирующие блоки
- 2 настенных монтажных планки только для SHS

10.3 Принадлежности

- 2-позиционный регулятор температуры в помещении (управление разрядкой)
- Дополнительный нагреватель
- Комплект DC Control Input (управляющий сигнал постоянного тока)
- Комплект для однофазного подключения
- Двухконтурный комплект ZK*
- Регулируемые консоли
- Опорная консоль*

* Только для SHS

11. Подготовительные мероприятия



Указание

К клеммам L и N клеммной колодки X2 необходимо подключить кабель, рассчитанный на длительные токовые нагрузки.



Указание

При подключении прибора к автоматическому устройству управления зарядом настройка устройства управления зарядом для электронного регулятора заряда должны быть выполнены без корректировки напряжения.

11.1 Место монтажа



ПРЕДУПРЕЖДЕНИЕ ожог

- Нужно убедиться, что стена, на которой будет крепиться прибор, имеет термостойкость не менее 85 °С, а пол – не менее 80 °С.
- Соблюдать минимальные безопасные расстояния до поверхностей близлежащих объектов.



Указание

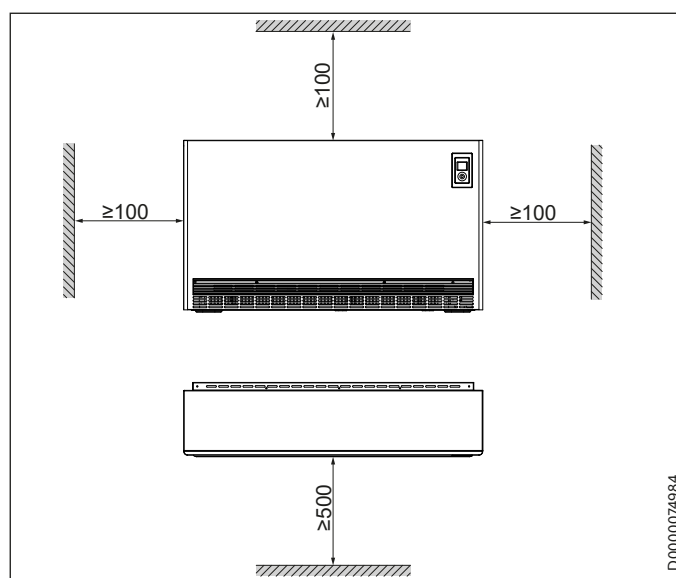
При установке прибора в помещениях, где выделяются отработанные газы, имеется запах масла, бензина или проводятся работы с растворителями и химическими веществами, во время эксплуатации возможно появление устойчивых неприятных запахов или загрязнений на самом приборе.



Материальный ущерб

Устанавливать прибор следует заподлицо.

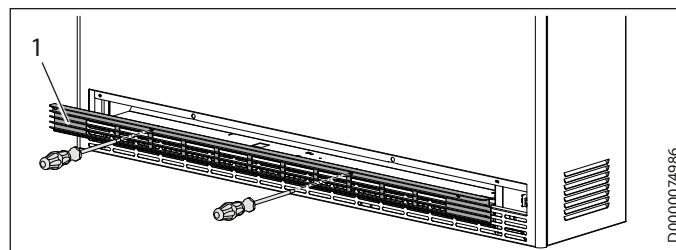
11.2 Минимальные расстояния



- Необходимо проверить возможность беспрепятственного выхода теплого воздуха из прибора.

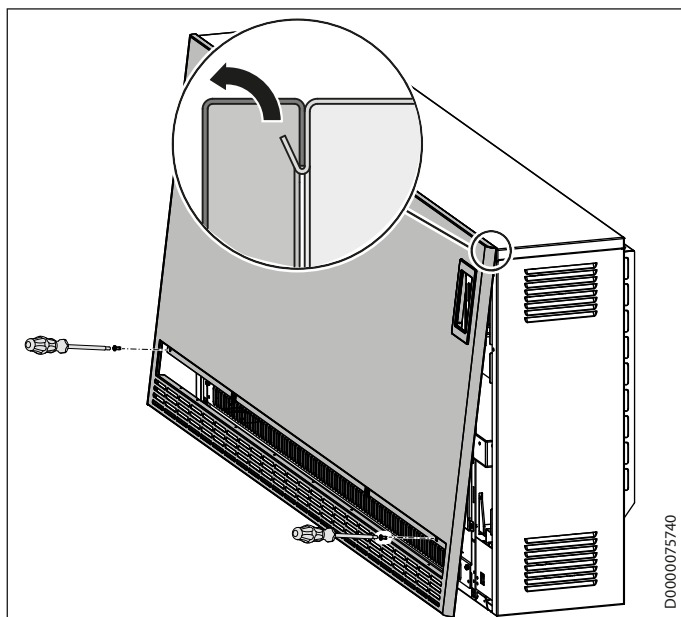
12. Монтаж

12.1 Открывание прибора



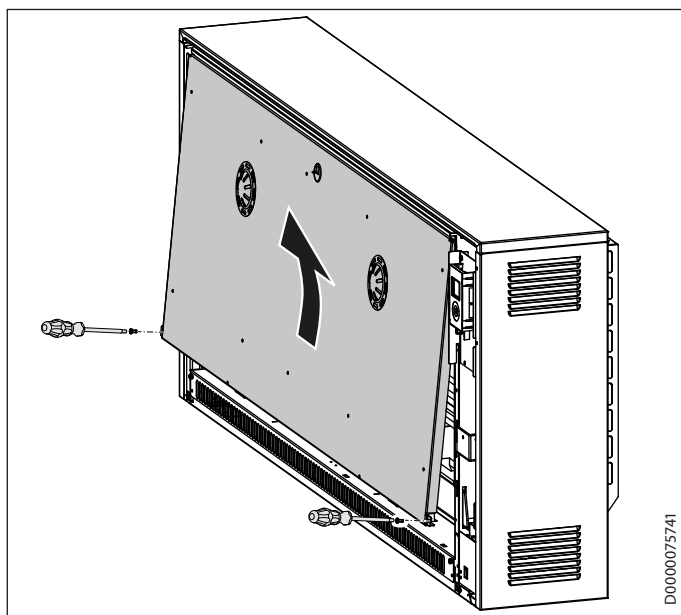
1 Выпускная решетка

- Открыть оба поворотных замка-фиксатора выпускной решетки и снять её.



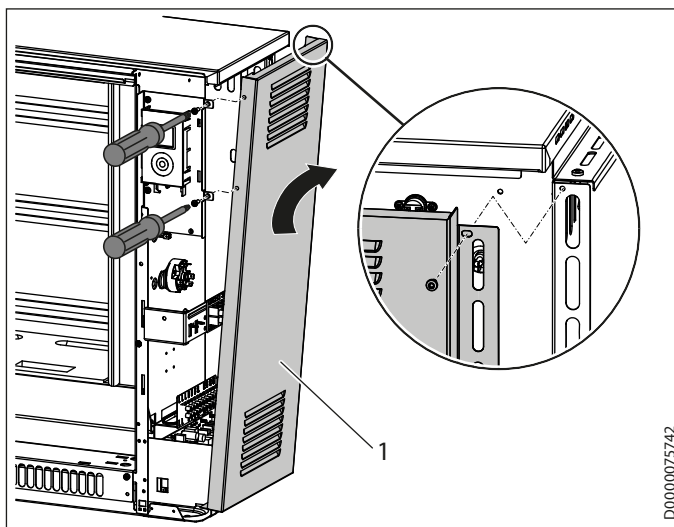
D0000075740

- ▶ Отвинтить винты на передней стенке.
- ▶ Потянуть переднюю стенку вперед, слегка приподнять и снять.



D0000075741

- ▶ Отвинтить винты внутренней передней стенки, расположенные на нижней кромке.
- ▶ Потянуть внутреннюю переднюю стенку вперед, слегка приподнять и снять.



D0000075742

- 1 Правая боковая стенка (винты отвинчены)
- ▶ Отвинтить на правой боковой стенке 3 винта спереди и сзади.
 - ▶ Немного потянуть боковую стенку по направлению вперед и откинуть её в сторону.
 - ▶ Слегка приподнять боковую стенку и снять её.

12.2 Настройка устройства управления зарядом



Указание

Необходимо учитывать приведенные ниже данные. Выполнение такой настройки в отдельных ситуациях может потребоваться после монтажа, в зависимости от места и варианта монтажа.

12.2.1 Уменьшение присоединяемой мощности

Завод-изготовитель поставляет прибор готовым к подключению с максимальной мощностью (100 %).

С помощью установки или удаления перемычек на соединительных клеммах присоединяемую мощность можно уменьшить на 3 уровня мощности (см. главу «Технические характеристики / Уменьшение присоединяемой мощности»).

Выбор характеристик поперечного сечения проводника и предохранителя следует производить в соответствии с максимальной мощностью прибора.



Указание

Необходимо учитывать предписания соответствующего энергоснабжающего предприятия.

12.2.2 Согласование мощности при увеличении номинальной продолжительности заряда

С помощью установки или удаления перемычек на соединительных клеммах присоединяемую мощность можно согласовать с номинальной продолжительностью заряда, указанной энергоснабжающим предприятием. Завод-готовитель поставляет прибор с настройками, рассчитанными на следующую номинальную продолжительность заряда:

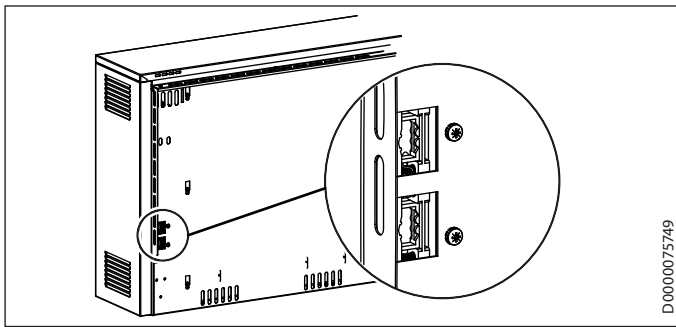
- 8 часов для SHF | SHS
- 7 часов для SHL

Следует учитывать данные, приведенные в главе «Технические характеристики / Согласование мощности».

12.2.3 Подключение управляющего сигнала постоянного тока

Если прибор оборудован устройством управления зарядом с управляющим сигналом постоянного тока (постоянное напряжение 0,91 –1,43 В), для его эксплуатации необходим комплект DC Control Input (принадлежности). Управляющий сигнал постоянного тока необходимо присоединить к клеммам A1/Z1 «DC + (плюсовой полюс)» и A2/Z2 «DC – (минусовой полюс)», расположенным на клеммной колодке X3. Соблюдать полярность.

12.3 Подключение к сети, соединительные провода



D.0000075749



ПРЕДУПРЕЖДЕНИЕ поражение электрическим током

► Перед выполнением работ на приборе обесточить соединительные провода в распределительной коробке.

- Кабели сетевого питания и соединительные провода регулятора зарядки и разрядки завести в прибор через отверстия в задней стенке прибора, присоединить их (см. главу «Технические характеристики / Электрическая схема»).
- Использовать соединительные провода длиной ок. 260 мм, при необходимости укоротить их. Провода не должны прикасаться к воздухозаборным и выпускным отверстиям на боковой стенке.

12.4 Электрическое подключение

12.4.1 Общие сведения



ПРЕДУПРЕЖДЕНИЕ поражение электрическим током

При подключении прибора к автоматическому устройству управления зарядом даже после извлечения предохранителей клеммы A1/Z1 и A2/Z2 могут находиться под напряжением!



ПРЕДУПРЕЖДЕНИЕ поражение электрическим током

Наклейку с предупредительной надписью «Achtung - Fernsteuerung! [Внимание! Дистанционное управление!]» на уголке для крепления клемм сетевого питания необходимо заменить на прилагаемую наклейку с предупредительной надписью на языке вашей страны.

Нагревательные элементы подключаются к электросети 3/N/PE~400 В. При использовании комплекта для однофазного подключения (принадлежности) возможно также подключение к электросети 1/N/PE~230 В.

Возможно подключение к распределителю N/UM. Количество питающих кабелей и жил в кабелях, а также поперечное сечение проводников зависит от величины потребляемой мощности прибора, вида подключения к сети, а также специального регламента энергоснабжающего предприятия.

При электрическом подключении учитывать электрическую схему и уровни мощности (см. главу «Технические характеристики»).

12.4.2 Подключение прибора



ПРЕДУПРЕЖДЕНИЕ поражение электрическим током

Обязательно проверить правильность подключения защитного провода.



ПРЕДУПРЕЖДЕНИЕ поражение электрическим током

Запрещено использовать поврежденные соединительные провода, натягивать их или извлекать из прибора.

► Проложить соединительные провода согласно этому требованию.



Указание

К клеммам L и N клеммной колодки X2 необходимо подключить кабель, рассчитанный на длительные токовые нагрузки.

- Обеспечить уменьшение растягивающего усилия усилия, воздействующего на электрические соединительные провода; выполнить их подключение в соответствии с электрической схемой в самом приборе (на внутренней стороне правой боковой стенки) или электрической схемой в главе «Технические характеристики».

Если боковое расстояние недостаточное, и доступ к уголку для крепления клемм сетевого питания, расположенному в распределительном отсеке, затруднен, после отвинчивания крепежного винта уголок можно отвести вперед.

12.4.3 Управление без контактора нагревательных элементов

Если контактор нагревательных элементов не устанавливается (частично может определяться требованиями энергоснабжающего предприятия), для управления может использоваться электронный модуль аккумулятора тепла.

- ▶ Для этого необходимо подключить провода передачи сигналов энергоснабжающего предприятия LF и N или сигналов SH и N соответствующего устройства управления зарядом непосредственно к клеммам LF/SH и N аккумулятора тепла.
- ▶ В меню конфигурации установить параметр P15 на 1 (см. главу «Установка / Меню конфигурации»).

Включение нагревательных элементов прибора происходит лишь после получения сигнала разрешения LF от энергоснабжающего предприятия и активации заряда электронным регулятором заряда.

12.4.4 Заводская табличка прибора

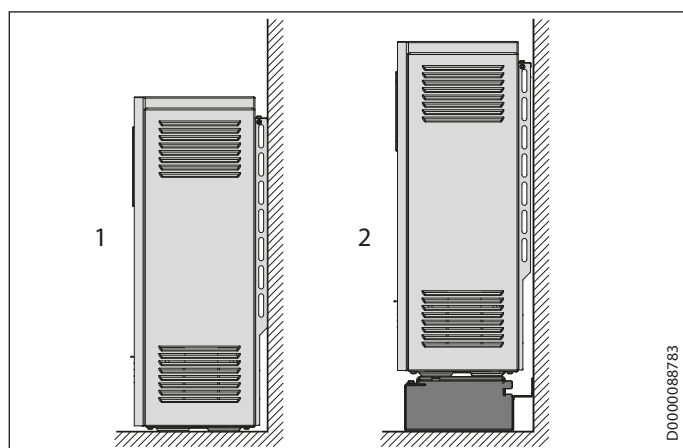


Указание

На табличке необходимо указать присоединяемую мощность и номинальную продолжительность заряда.

- ▶ Для этого нужно пометить соответствующие клетки.

12.5 На горизонтальном основании



- 1 На горизонтальном основании
- 2 Установка на напольных кронштейнах

Площадь для установки прибора должна быть ровной и обладать достаточной несущей способностью. Вес прибора указан в главе «Технические характеристики / Таблица параметров». При возникновении вопросов обратитесь к эксперту по строительству.

Данные приборы можно устанавливать на любой пол, но следует учесть, что в зоне опор в результате воздействия веса прибора и теплового воздействия на паркете, покрытиях из ПВХ, длинноворсовых и высоковорсовых напольных покрытиях могут появиться изменения. В таких случаях необходимо использовать термостойкие подложки (приобретаются со стороны заказчика).

Крепление прибора на полу или стене должно гарантировать его устойчивость.

Крепление на стене

Для крепления на стене, обладающей достаточной несущей способностью, на задней стенке прибора в зоне распределительного отсека имеется отверстие.

- ▶ Чтобы обезопасить прибор от опрокидывания, его необходимо привинтить к стене с помощью подходящего шурупа.

Крепление к полу

Также прибор можно прикрутить к полу, используя четыре отверстия (диаметром 9 мм) в ножках прибора.

- ▶ Демонтировать выпускную решетку, переднюю стенку и воздухопроводный блок (см. главы «Монтаж / Открывание прибора» и «Очистка прибора»).
- ▶ Надежно привинтить прибор к полу, используя подходящие шурупы.

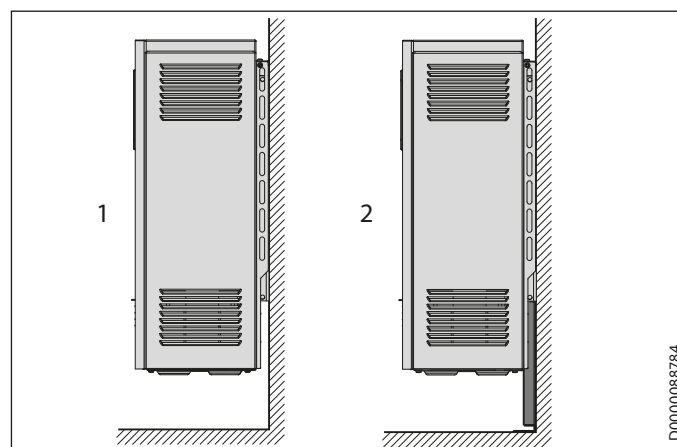
12.5.1 Установка на напольных кронштейнах

Регулируемая вертикальная консоль (принадлежности) позволяет установить прибор на расстоянии от пола.

Если прибор можно закрепить на стене, обладающей достаточной несущей способностью, то консоль необходимо привинтить только под ножки прибора.

Если стены, подходящей для настенного монтажа, нет, консоль необходимо привинтить к полу и ножкам прибора.

12.6 Варианты монтажа SHS



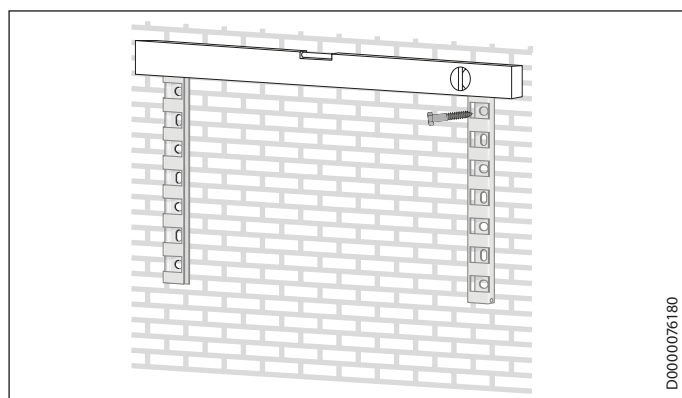
- 1 Монтаж на стену, обладающую достаточной несущей способностью, с помощью настенной монтажной планки (SHS 1200 – 3600)
- 2 Монтаж на стену, не обладающую достаточной несущей способностью, с помощью опорной консоли

12.6.1 Крепление прибора с помощью настенных монтажных планок без контакта с полом

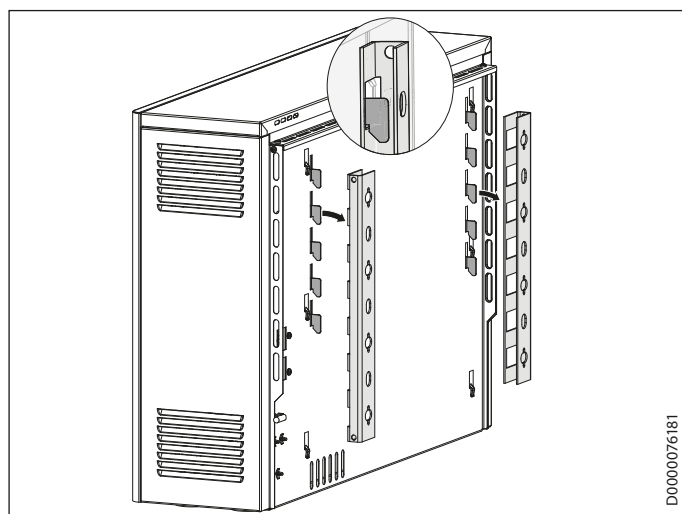
Для такого вида монтажа необходимо учитывать приведенные ниже указания.

При наличии стены, обладающей достаточной несущей способностью, прибор можно закрепить на стене с помощью входящих в комплект поставки настенных монтажных планок. Но важно помнить одно правило:

- SHS 1200-3600: Настенная монтажная планка удерживает вес прибора.
- SHS 4200-4800: Настенная монтажная планка должна дополнительно удерживаться с помощью опорной консоли (принадлежности).
- если стена обладает относительной несущей способностью, для приборов SHS 1200 – 3600 также нужна дополнительная опорная консоль (принадлежности).



- ▶ Отвинтить обе настенных монтажных планки на обратной стороне прибора.
- ▶ Прикрепить настенные монтажные планки на стену, предназначенную для крепления прибора, учитывая минимальные расстояния и расстояния между отверстиями. (Расстояния см. главы «Минимальные расстояния» и «Технические характеристики / Размеры и подключения»).



- ▶ Навесить прибор на настенные монтажные планки.

12.7 Установка теплоаккумулирующих блоков



ПРЕДУПРЕЖДЕНИЕ ожог

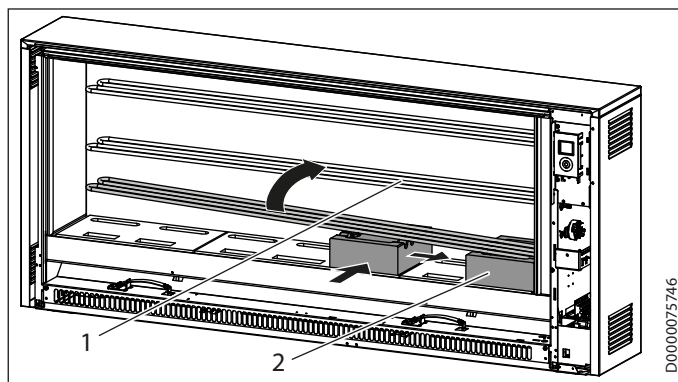
Поврежденная теплоизоляция может привести к перегреву корпуса.

- ▶ Проверить теплоизоляцию прибора на отсутствие транспортных повреждений.
- ▶ Заменить поврежденные элементы теплоизоляции.

Полностью очистить прибор от посторонних предметов и остатков упаковки.

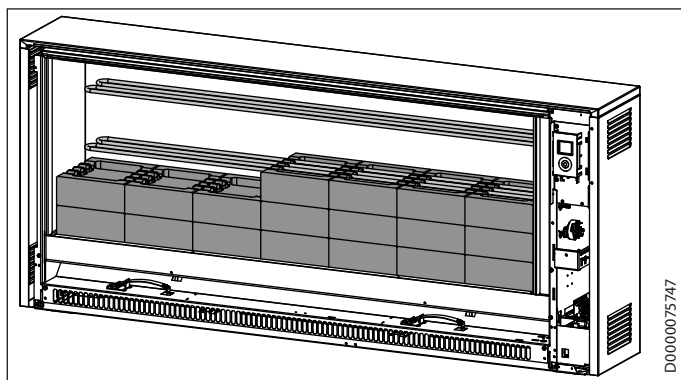
- ▶ Из внутреннего пространства прибора удалить панель и картонные вкладыши.

Теплоаккумулирующие блоки поставляются в отдельной упаковке. Разрешено использовать теплоаккумулирующие блоки с незначительными транспортными повреждениями. Это не влияет на работу прибора.



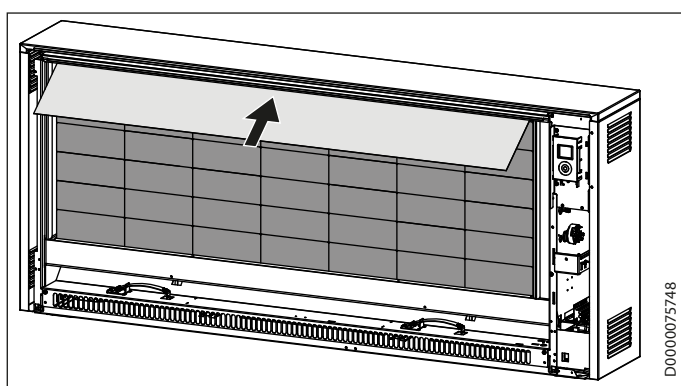
- 1 Нагревательные элементы
- 2 Теплоаккумулирующий блок

- ▶ Чтобы установить теплоаккумулирующие блоки, нагревательные элементы необходимо немного приподнять.
- ▶ При этом нужно следить, чтобы нагревательные элементы не расширили сквозные отверстия в боковых стенках теплоизоляции.
- ▶ Первый теплоаккумулирующий блок уложить углублением вверх, на некотором расстоянии от правой стенки теплоизоляции.
- ▶ Переместить этот теплоаккумулирующий блок вправо и назад к стенке теплоизоляции. Продольные отверстия образуют нагревательные каналы.



D0000075747

- ▶ Уложить другие теплоаккумулирующие блоки в указанном на рисунке порядке.

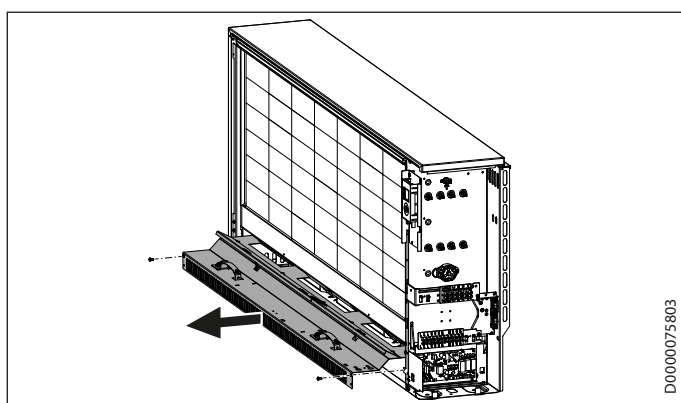


D0000075748

- ▶ Извлеченную панель вставить над верхним рядом теплоаккумулирующих блоков.

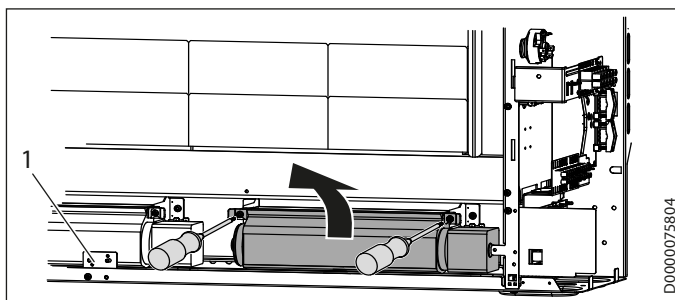
12.8 Очистка прибора

- ▶ После установки прибора и укладки теплоаккумулирующих блоков прибор необходимо очистить. Для этого выполнить следующее:



D0000075803

- ▶ Демонтировать воздуховодный блок.



D0000075804

1 Защитный регулятор температуры (N5)

- ▶ Приподнять вентилятор и извлечь его. Для этого отвинтить винты на передней стороне крепежных уголков.
- ▶ Проверить укладку кабеля.

У некоторых приборов для этого необходимо открутить защитный регулятор температуры (N5) вместе с монтажной пластиной.

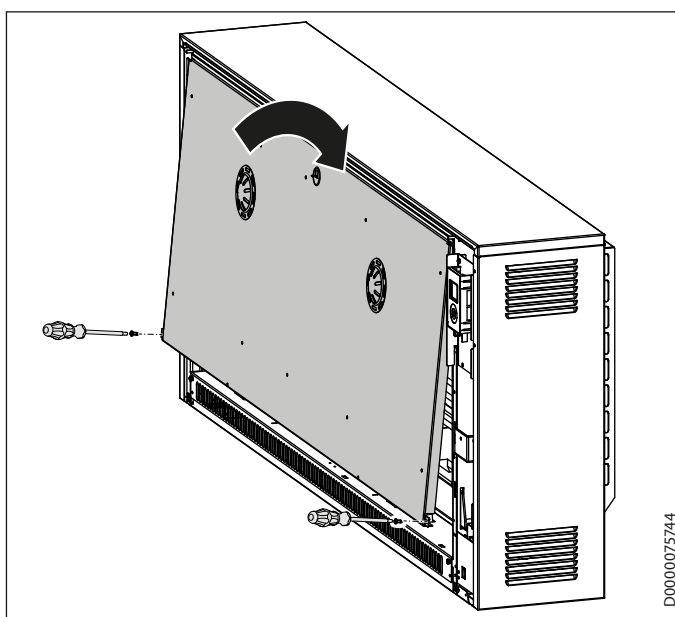


Материальный ущерб

При укладке демонтированных элементов соблюдать аккуратность, чтобы не повредить провода.

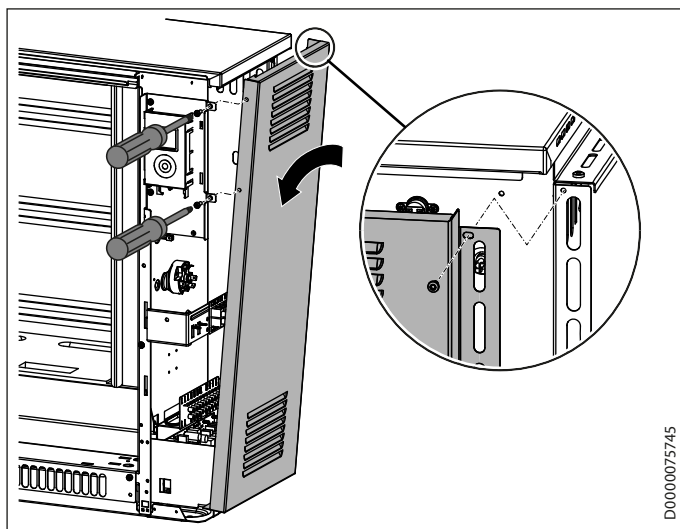
- ▶ Очистить днище и вентилятор. Убедиться в отсутствии повреждений пластин.
- ▶ После этого снова выполнить монтаж вентилятора, защитного регулятора температуры и воздуховодного блока.
- ▶ Проверить правильность укладки кабеля.

12.9 Сборка корпуса прибора

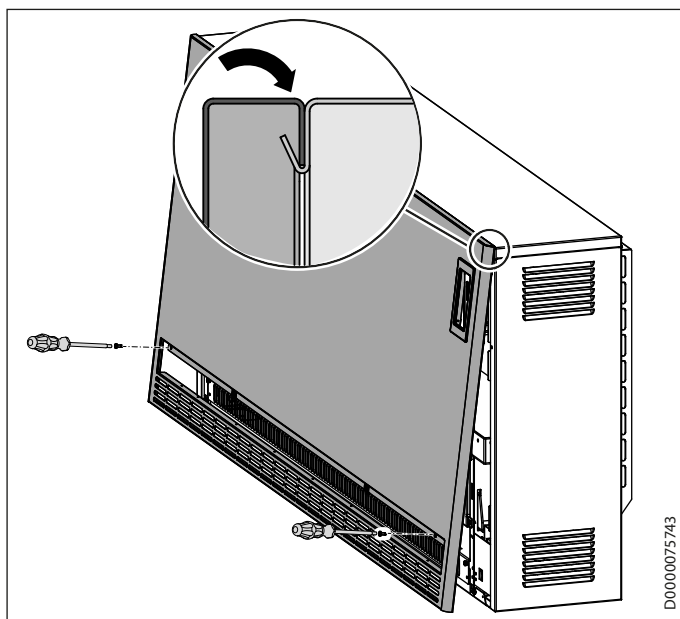


D0000075744

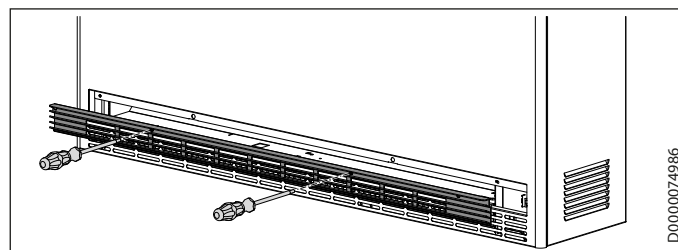
- ▶ Установить внутреннюю переднюю стенку.



- ▶ Вставить нижнюю часть правой боковой стенки и под-
нять её к корпусу прибора.
- ▶ Навесить боковую стенку сверху на крышку и нажать
её по направлению назад.
Убедиться, что боковая стенка прилегает к монтажной
пластине пульта управления.
- ▶ Привинтить боковую стенку, плотно затянув 3 винта с
зубчатыми упругими шайбами.



- ▶ Перед монтажом передней стенки снять с пульта
управления защитную пленку.
- ▶ Снова установить переднюю стенку.
- ▶ Привинтить переднюю стенку, плотно затянув винты с
зубчатыми упругими шайбами.



- ▶ Зафиксировать выпускную решетку с помощью двух
поворотных замков фиксаторов.

13. Меню конфигурации

В меню конфигурации фактические значения и параметры относятся к двум разным уровням доступа.

Уровень доступа	Описание
A0	Фактические значения и параметры, с доступом без кода и открытые для пользователя. Выбор параметров производится с помощью кнопок «+» или «-».
A1	После ввода кода, состоящего из четырех цифр, открывается доступ к дополнительным фактическим значениям и параметрам, предназначенный для специалиста. Выбор параметров производится только кнопкой «+».

Для входа в меню конфигурации нужно удерживать нажатой кнопку «Меню». Примерно через 3 секунды отобразится фактическое значение I1.

Разблокирование фактических значений и параметров уровня доступа A1

- ▶ Вызвать с помощью кнопок «+» или «-» пункт меню «CodE».
Поочередно с пунктом меню отображается уровень доступа A0.
- ▶ Нажать кнопку «OK».
Отображается ввод кода. Первая цифра мигает.
- ▶ Ввести с помощью кнопок «+» или «-» код 1 0 0 0.
После ввода каждой цифры нажимать кнопку «OK».

После правильного ввода кода отобразятся фактические значения и параметры, которые до этого были заблокированы.

При необходимости изменить значение параметра соответствующий параметр нужно вызвать кнопкой «+». Нажать кнопку «OK».

При появлении символа «Изменение параметра» можно выполнить изменение значения параметра, используя кнопки «+» и «-». Для сохранения настройки параметра нажать кнопку «OK».

Если пользователь нажал кнопку «Меню» или в течение 10 секунд не выполняет никаких действий, прибор автоматически переходит в режим стандартной индикации. При этом снова активируется блокировка параметров.

Индикация Уровень доступа	Значение	Параметры	Описание
I1*	A0		Фактическая температура в помещении [°C °F]
I2	A0		Относительная длительность нагрева [ч]
I3	A1		Расчетный уровень загрузки следующего заряда [%]
I4	A1		Фактический уровень загрузки [%]
Pro1*	A0		Программа-таймер Pro1
Pro2*	A0		Программа-таймер Pro2
Pro3*	A0		Программа-таймер Pro3
P1*	A0	±3 °C ±5 °F	Смещение температуры в помещении
P2*	A0	12 ч 24 ч	Формат времени
P3*	A0	°C °F	Единица измерения температуры
P4*	A0	ВКЛ ВЫКЛ	Сброс программ-таймеров
P5	A0	ВКЛ ВЫКЛ	Сброс относительной длительности нагрева
P6	A1	0	Вход SL деактивирован (заводская настройка): Управление вентилятором осуществляется с помощью встроенного датчика температуры в помещении.
			1
P7*	A1	0	Двухпозиционное регулирование: Встроенный регулятор температуры в помещении производит включение и выключение вентилятора согласно теплоснабжению.
			1
P8	A1	100 %	В комбинации с изменяющейся присоединяемой мощностью для электронного регулятора заряда можно настроить четыре различных ступени зарядки. Заводская настройка 100 % (без снижения). При выборе другой настройки уровень загрузки снижается (при этом снижается температура отключения электронного регулятора заряда). См. главу «Технические характеристики / Уменьшение присоединяемой мощности при сохранении номинальной продолжительности заряда».
		90 %	
		80 %	
		70 %	
P12	A1	0	Если дополнительный нагреватель не установлен (заводская настройка).
		1	Установленный дополнительный нагреватель активируется.
P14	A1	1	Объем заряда регулируется только через параметр снижения уровня загрузки.
		2	Провод устройства управления зарядом подключен к управляющему сигналу переменного тока (заводская настройка). Настройка системы скважности и реакции на неисправность производится через параметры P17 и P18.
		3	Провод устройства управления зарядом подключен к управляющему сигналу постоянного тока. Реакция на неисправность настраивается через параметр P18.
		4	Объем заряда определяется с помощью устройства управления зарядом, учитывающего температуру в помещении. Выбор способа разрешения на загрузку производится через параметр P15 (P15=1 или P15=3).
P15	A1	0	Постоянное разрешение (заводская настройка): Нагревательные элементы включаются тогда, когда поступает разрешение на загрузку от контактора нагревательных элементов и электронного регулятора заряда.
		1	Разрешение через аппаратный сигнал LF: Включение нагревательных элементов происходит лишь после получения сигнала разрешения LF от энергоснабжающего предприятия и активации заряда электронным регулятором заряда. Сигнал энергоснабжающего предприятия LF необходимо подключить к клемме LF/SH.
		3	Разрешение от встроенных часов: Включение нагревательных элементов происходит лишь после получения сигнала разрешения от встроенных часов и разрешения электронного регулятора заряда на начало заряда. На протяжении 24 часов возможно только одно разрешение. Время поступления разрешения настраивается через параметр P19, а продолжительность заряда – через параметр P20.
P17	A1	30 – 80 %	Провод устройства управления зарядом необходимо подключить к управляющему сигналу переменного тока (сигнал переменного тока на клеммах A1 и A2). Электронный регулятор заряда прибора может использоваться на устройствах управления зарядом для систем со скважностью 80 %, 72 %, 68 %, 40 % и 37 %. Заводская настройка рассчитана на системы со скважностью 80 %. Если прибор эксплуатируется с системами другой скважности, этот параметр необходимо настроить на соответствующий процентный показатель.

Индикация Уровень доступа	Значение	Параметры	Описание
P18 A1	Реакция на неисправность	0	Прибор настроен на «отрицательную реакцию на неполадки» (при повреждении устройства управления зарядом не производится заряд аккумулятора тепла). Настройка возможна только при работе с цифровыми устройствами управления зарядом. Для устройств управления зарядом переменного тока дополнительно требуется сигнал со скважностью 80 %.
		1	Прибор настроен на «положительную реакцию на неполадки» (заводская настройка). При повреждении устройства управления зарядом (напр., отсутствии управляющего сигнала) производится полная зарядка прибора.
P19 A1	Время поступления разрешения от часов	--:--	Установить на встроенных часах время поступления разрешения на заряд. Заводская настройка выполнена на 00:00 часов. При настройке времени разрешения необходимо следить за правильностью ввода дней недели и времени.
P20 A1	Продолжительность разрешения от часов	00:00 – 22:00	Установить на встроенных часах продолжительность разрешения на заряд. Заводская настройка составляет 8 часов. Максимальная продолжительность заряда – 22 часа.

* Индикация отображается только в том случае, если управление вентилятором осуществляется с помощью встроенного регулятора температуры в помещении.

14. Ввод в эксплуатацию

14.1 Контроль перед вводом в эксплуатацию

Перед вводом в эксплуатацию можно выполнить функциональный контроль. Для этого в меню конфигурации нужно вызвать режим ввода в эксплуатацию.

- ▶ Для входа в меню конфигурации кнопку «Меню» удерживать нажатой ок. 3 секунд.

Сначала нужно разблокировать уровень доступа A1, предназначенный для специалиста.

- ▶ Вызвать с помощью кнопок «+» или «-» пункт меню «CodE».
- ▶ Нажать кнопку «ОК». Отображается ввод кода. Первая цифра мигает.
- ▶ Ввести с помощью кнопок «+» или «-» код 1 0 0 0. После ввода каждой цифры нажимать кнопку «ОК».
- ▶ После правильного ввода кода с помощью кнопки «+» вызвать фактическое значение I4.
- ▶ Для входа в режим ввода в эксплуатацию кнопки «Меню» и «+» одновременно удерживать нажатыми ок. 3 секунд.

Первый заряд производится в режиме ввода в эксплуатацию. Объем заряда соответствует настройке параметра снижения уровня загрузки. Индикация отображает динамику заряда в процентах.



Указание

- Если параметр снижения уровня загрузки установлен на 0 %, зарядка не производится.
- После достижения заданного объема заряда прибор автоматически выходит из режима ввода в эксплуатацию.

- ▶ Для проверки вентилятора с помощью кнопки «Вентилятор» нужно включить разрешение на работу вентилятора.
- ▶ Для выхода в режим ввода в эксплуатацию кнопки «Меню» и «-» одновременно удерживать нажатыми ок. 3 секунд.

14.2 Первый ввод в эксплуатацию

После монтажа прибор можно сразу же вводить в эксплуатацию.

- ▶ Выполнить настройку заряда с помощью параметра снижения уровня загрузки или устройства управления зарядом.

14.2.1 Зарядка

При первой зарядке возможно появление постороннего запаха.

- ▶ Следует обеспечить достаточную вентиляцию помещения. Если установить створку окна в откидное положение, воздухообмен увеличится в 1,5 раза.

Если прибор установлен в спальне, первая зарядка не должна производиться во время сна.

15. Модернизация прибора

При модернизации, установке дополнительного оборудования и монтаже определяющим документом руководство, прилагаемое к соответствующему комплекту.

16. Передача

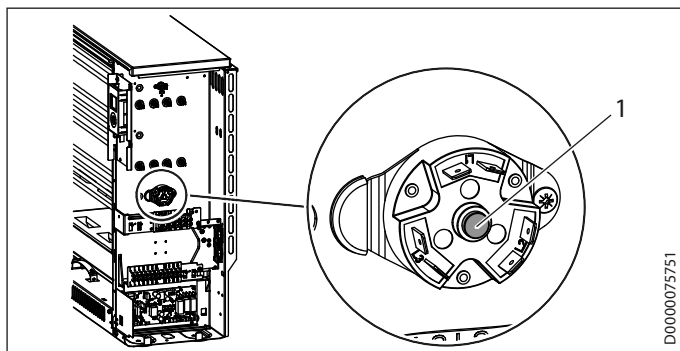
Объяснить пользователю функции прибора. Особо обратить его внимание на указания по технике безопасности. Пользователю следует передать это руководство по эксплуатации и монтажу.

17. Поиск и устранение неисправностей

17.1 Таблица неисправностей

Неисправность	Причина	Способ устранения
Прибор не нагревается.	Неисправно управление контактора нагревательных элементов.	Проверить управления контактора нагревательных элементов.
	Отсутствует электропитание на аккумуляторе тепла.	Проверить предохранители главного распределительного щита.
	Отсутствует электропитание на регуляторе заряда.	Проверить электропитание. См. главу «Электрическое подключение» и/или «Технические характеристики».
	Сработал предохранительный ограничитель температуры (F1).	Разблокировать ограничитель температуры (см. главу «Разблокирование предохранительного ограничителя температуры»).
	Неправильно выполнена настройка устройства управления зарядом.	Проверить настройки устройства управления зарядом.
Слишком высокий заряд прибора при мягких погодных условиях (используется устройство управления зарядом).	Неправильно работает регулятор заряда.	Проверить настройки параметров P14, P15, P17 и P18 в меню конфигураций (см. главу «Установка / Меню конфигураций»).
	Прервана передача управляющего сигнала.	Проверить поступление управляющего сигнала устройства управления зарядом на аккумулятор тепла.
	Неправильно выполнена настройка отопительной кривой.	Проверить настройки на устройстве управления зарядом.
	Неисправен датчик наружной температуры.	Выполнить контрольную проверку датчика наружной температуры и при необходимости заменить его.
Слишком высокий заряд прибора при мягкой наружной температуре (ручная настройка заряда).	Ошибка управляющего сигнала, поступающего от регулятора заряда.	Проверить настройки параметров P17 и P18 в меню конфигураций (см. главу «Установка / Меню конфигураций»).
	Настройки параметра снижения уровня загрузки на аккумуляторе тепла.	Проверить настройку параметра снижения уровня загрузки.
Прибор с устройством управления зарядом, учитывающим температуру в помещении, по вечерам постоянно поддерживает слишком высокую температуру в помещении.	В приборе настроена слишком высокая теплоотдача.	Понизить уровень теплоотдачи с помощью параметра снижения уровня загрузки.
Прибор не осуществляет теплоотдачу.	Крыльчатки вентиляторов не вращаются.	Пункты проверки: ... Настройки параметра P6 в меню конфигураций (см. главу «Установка / Меню конфигураций»); ... Включение разрешения на работу вентилятора. ... Подача электропитания на вентилятор аккумулятора тепла.
	Засорился сетчатый ворсовый фильтр воздухозаборного отверстия.	Очистить сетчатый ворсовый фильтр. См. главу «Чистка, уход и техническое обслуживание». Убедиться в отсутствии препятствий для забора воздуха, напр., высоковорсовых ковров. Проверить, не сработал ли защитный регулятор температуры (N5) в отверстии для выпуска воздуха.
Индикатор показывает код ошибки «E1».	Неисправен датчик температуры в помещении.	Выполнить контрольную проверку датчика температуры в помещении, при необходимости заменить его.
Индикатор показывает код ошибки «E2».	Неисправен датчик внутренней температуры прибора.	Выполнить контрольную проверку датчика внутренней температуры прибора и при необходимости заменить его.
Индикатор показывает код ошибки «E3».	Неправильное подключение полюсов управляющего сигнала постоянного тока.	Проверить подключение управляющего сигнала постоянного тока.

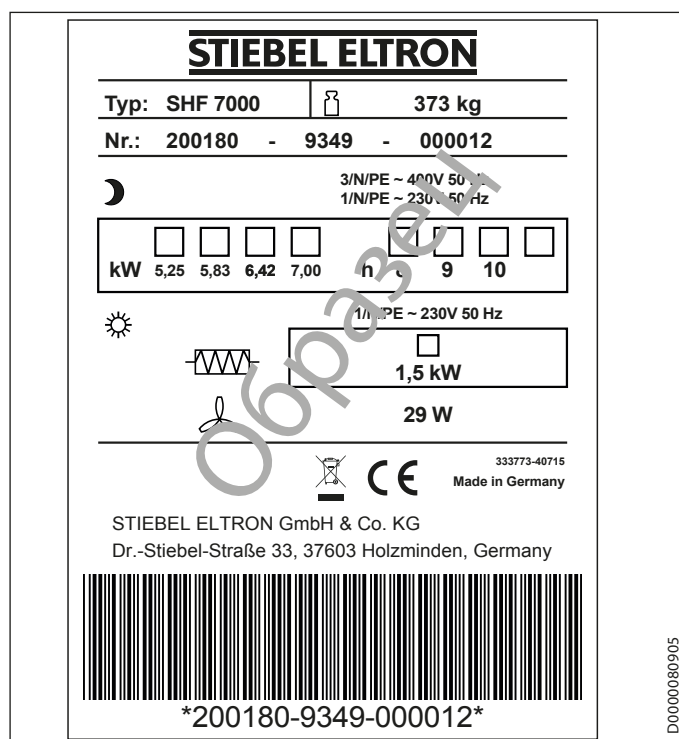
17.1.1 Разблокирование предохранительного ограничителя температуры (F1)








1 Кнопка сброса предохранительного ограничителя температуры

После устранения причины неисправности предохранительный ограничитель температуры необходимо разблокировать с помощью кнопки сброса.

17.2 Символы на заводской табличке



Символы на заводской табличке (пример: SHF 7000)

-  Общий вес
-  Зарядка
-  Отдача тепла
-  Дополнительный нагреватель
-  Вентиляторы

18. Техобслуживание и очистка

Канал вентилятора за выпускной решеткой необходимо проверять один раз в два года. Здесь могут появиться незначительные загрязнения.



Указание

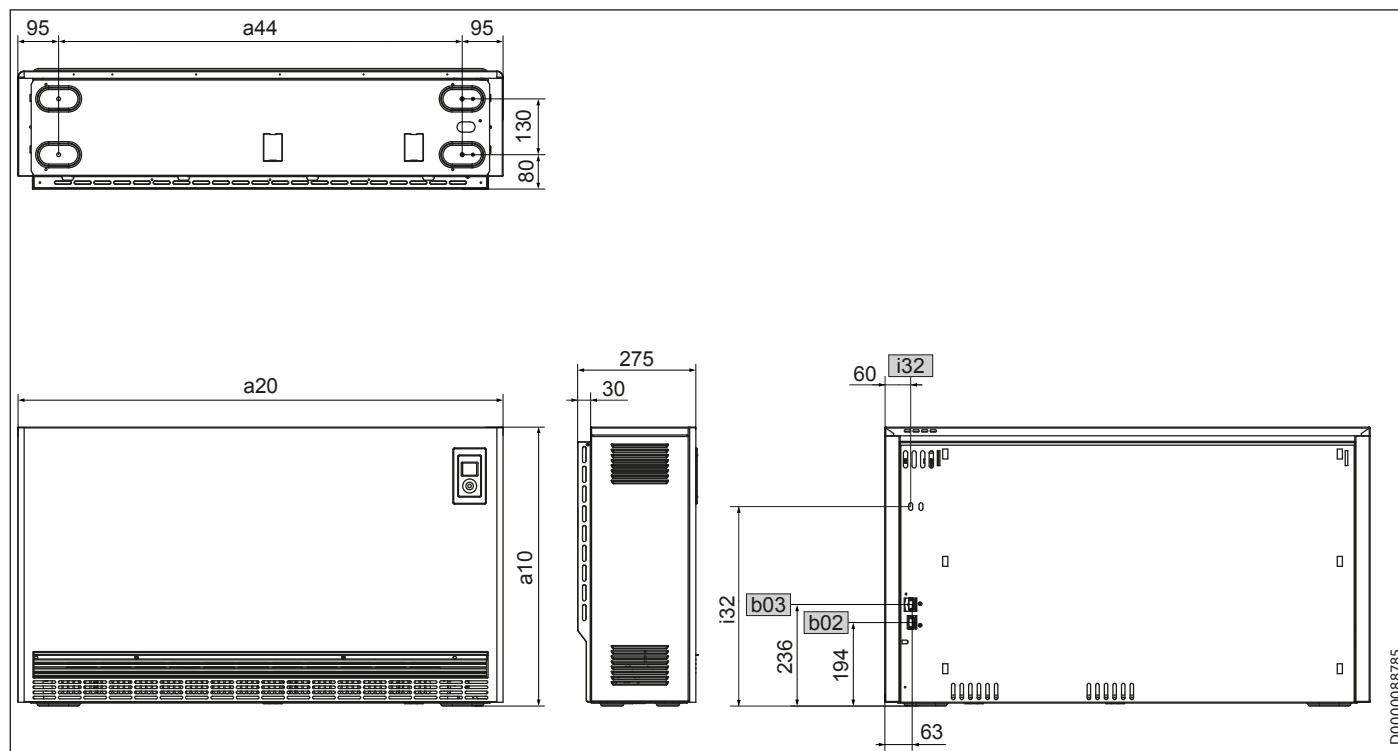
Мы рекомендуем во время плановых работ по техническому обслуживанию выполнять также проверку контролирующего и регулирующего устройств.

- ▶ Не позднее, чем через 10 лет после ввода прибора в эксплуатацию необходимо пригласить специалиста для проверки предохранительного, контролирующего и регулирующего устройства, а также всей системы заряда и разряда.

19. Технические характеристики

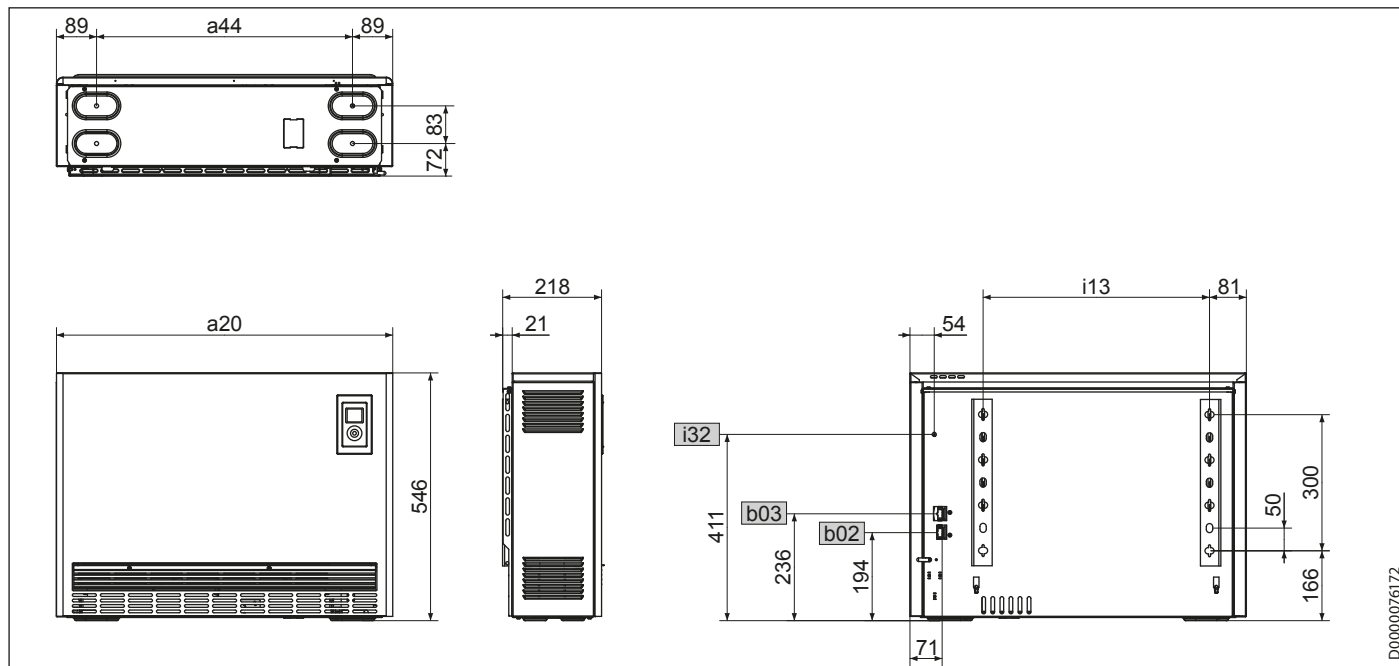
19.1 Размеры и соединения

SHF | SHL



			SHF 2000	SHF 3000	SHF 4000	SHF 5000	SHF 6000	SHF 7000	SHL 3500	SHL 5000	
a10	Прибор	Высота	мм	650	650	650	650	650	650	490	490
a20	Прибор	Ширина	мм	605	780	955	1130	1305	1480	1130	1480
a44	Прибор	Расстояние между ножками	мм	415	590	765	940	1115	1290	940	1290
b02	Кабельный ввод для электропроводки I										
b03	Кабельный ввод для электропроводки II										
i32	Фиксация	Высота	мм	464	464	464	464	464	464	306	306

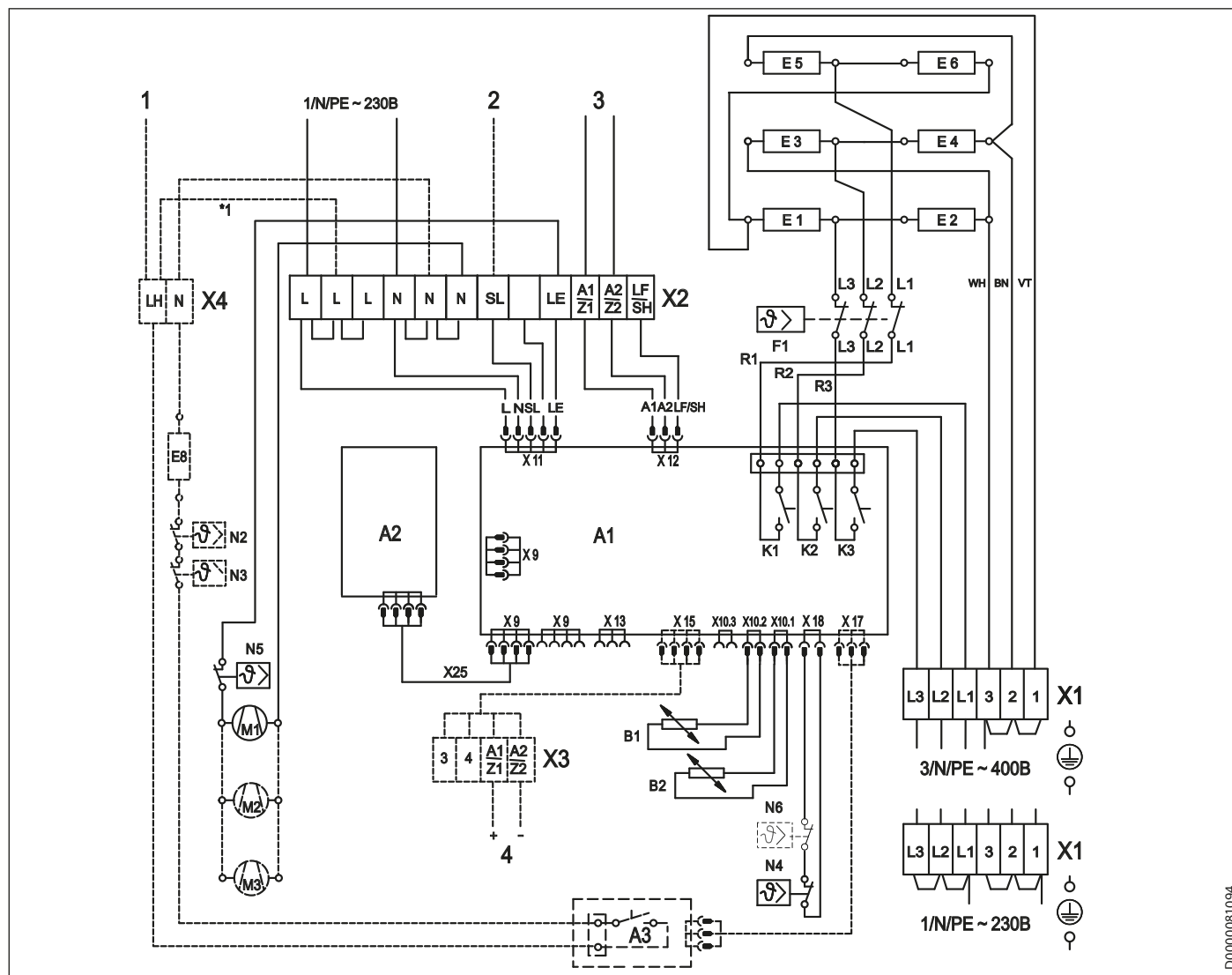
SHS



D0000076172

			SHS 1200	SHS 1800	SHS 2400	SHS 3000	SHS 3600	SHS 4200	SHS 4800	
a20	Прибор	Ширина	мм	580	741	902	1063	1224	1385	1546
a44	Прибор	Расстояние между ножками	мм	402	563	724	885	1046	1207	1368
b02	Кабельный ввод для электропроводки I									
b03	Кабельный ввод для электропроводки II									
i13	Настенная монтажная планка	Шаг отверстий по горизонтали	мм	337,5	498,5	659,5	820,5	981,5	1142,5	1303,5
i32	Фиксация									

19.2 Электрическая схема



Аккумулярирующая часть

- A1 Электронный регулятор заряда/разряда
- A2 Электронный блок интерфейса пользователя
- B1 Датчик внутренней температуры, заряд
- B2 Датчик температуры в помещении - разрядка
- F1 Предохранительный ограничитель температуры
- E1 – E6 Нагревательные элементы
- M1 – M3 Вентилятор аккумулятора тепла
- N4 Ограничитель температуры, заряд
- N5 Защитный регулятор температуры
- N6 Ограничитель температуры, уровень загрузки только для SHF 6000-7000, SHS 3000-4800, SHL 5000
- X25 Соединительный провод, внутренний, A1 – A2
- X1 Клемма подключения к сети
- X2 Соединительная клемма

Принадлежности

(Входит в комплект поставки. Установленные принадлежности нужно отметить крестиком в соответствующем квадрате.)

- Подключение постоянного тока**
- X3 Соединительная клемма (0,91 – 1,43 В)

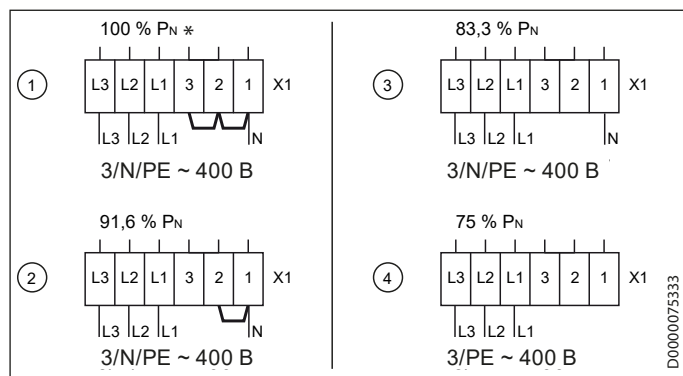
- Дополнительный нагреватель** (внутреннее управление)
*1 / провод LH – L
- Дополнительный нагреватель** (внешнее управление)
- A3 Блок реле дополнительного нагревателя
- E8 Дополнительный нагреватель
- N2 Регулятор температуры дополнительного нагревателя
- N3 Регулятор температуры дополнительного нагревателя
- X4 Соединительная клемма

Соединения

- 1 (LH) Дополнительный нагреватель (LH)
- 2 (SL) Внешнее управление вентилятора (LE)
- 3 (A1/A2) Система устройства управления зарядом переменного тока, 230 В
- 4 (A1/A2) Низковольтная система устройства управления зарядом постоянного тока

D0000081094

19.3 Уменьшение подключаемой мощности при увеличении номинальной продолжительности заряда



* Серийная коммутация

SHF | SHS

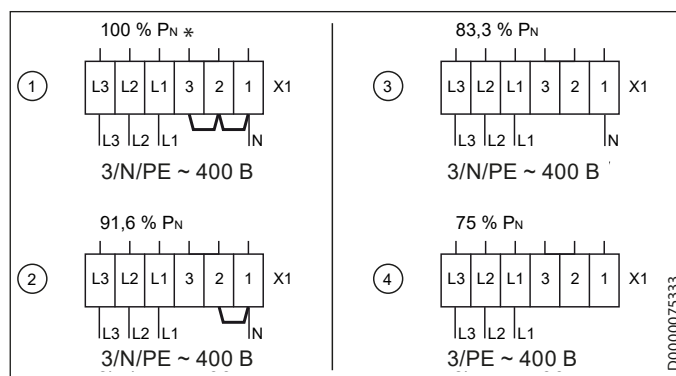
Варианты мощности					
Варианты подключения	①	②	③	④	
Присоединяемые мощности	100 %	91,6 %	83,3 %	75 %	
Номинальная продолжительность заряда	8 ч	9 ч	10 ч	-	
Типы					
SHF 2000	кВт	2,00	1,83	1,67	1,50
SHF 3000	кВт	3,00	2,75	2,50	2,25
SHF 4000	кВт	4,00	3,66	3,33	3,00
SHF 5000	кВт	5,00	4,58	4,16	3,75
SHF 6000	кВт	6,00	5,50	5,00	4,50
SHF 7000	кВт	7,00	6,42	5,83	5,25
SHS 1200	кВт	1,20	1,10	1,00	0,90
SHS 1800	кВт	1,80	1,65	1,50	1,35
SHS 2400	кВт	2,40	2,20	2,00	1,80
SHS 3000	кВт	3,00	2,76	2,49	2,25
SHS 3600	кВт	3,60	3,30	3,00	2,70
SHS 4200	кВт	4,20	3,86	3,51	3,15
SHS 4800	кВт	4,80	4,40	4,00	3,60

SHL

Варианты мощности					
Варианты подключения	①	②	③	④	
Присоединяемые мощности	100 %	91,6 %	83,3 %	75 %	
Номинальная продолжительность заряда	7 ч	8 ч	9 ч	10 ч	
Типы					
SHL 3500	кВт	3,50	3,21	2,92	2,63
SHL 5000	кВт	5,00	4,58	4,16	3,75

19.4 Уменьшение присоединяемой мощности при сохранении номинальной продолжительности заряда

- Номинальная продолжительность заряда SHL: 7 часов
- Номинальная продолжительность заряда SHF | SHS: 8 часов



* Серийная коммутация

Варианты мощности				
Варианты подключения	①	②	③	④
Присоединяемые мощности	100 %	91,6 %	83,3 %	75 %
Ступени зарядки, изменяемые с мощностью параметра P8	100 %	90 %	80 %	70 %

19.5 Характеристики энергопотребления

Характеристики изделия соответствуют регламентам директивы ЕС, определяющей требования к экодизайну энергопотребляющей продукции (ErP).

Информация о продукции: отопительные приборы для отдельных помещений (в соответствии с регламентом ЕС 2015/1188)

	SHF 2000	SHF 3000	SHF 4000	SHF 5000	SHF 6000	SHF 7000	SHL 3500	SHL 5000
	200175	200176	200177	200178	200179	200180	200304	200305
Производитель	STIEBEL ELTRON	STIEBEL ELTRON	STIEBEL ELTRON	STIEBEL ELTRON	STIEBEL ELTRON	STIEBEL ELTRON	STIEBEL ELTRON	STIEBEL ELTRON

Теплопроизводительность									
Номинальная теплопроизводительность P_{nom}	кВт	1,0	1,5	2,0	2,5	3,0	3,5	1,5	2,2
Минимальная теплопроизводительность (ориентировочное значение) P_{min}	кВт	0,0	0,0	0,0	0,0	0,0	0,0	0,0	0,0
Макс. непрерывная теплопроизводительность $P_{max, c}$	кВт	1,3	2,3	3,0	3,5	4,3	4,9	2,7	3,9

	SHS 1200	SHS 1800	SHS 2400	SHS 3000	SHS 3600	SHS 4200	SHS 4800	
	200181	200182	200183	200184	200185	200186	200187	
Производитель	STIEBEL ELTRON	STIEBEL ELTRON	STIEBEL ELTRON	STIEBEL ELTRON	STIEBEL ELTRON	STIEBEL ELTRON	STIEBEL ELTRON	

Теплопроизводительность									
Номинальная теплопроизводительность P_{nom}	кВт	0,6	0,9	1,2	1,5	1,8	2,1	2,4	
Минимальная теплопроизводительность (ориентировочное значение) P_{min}	кВт	0,0	0,0	0,0	0,0	0,0	0,0	0,0	
Макс. непрерывная теплопроизводительность $P_{max, c}$	кВт	1,0	1,5	1,8	2,2	2,6	2,8	3,7	

Потребление вспомогательного тока									
При номинальной теплопроизводительности e_{lmax}	кВт	0,000	0,000	0,000	0,000	0,000	0,000	0,000	0,000
При минимальной теплопроизводительности e_{lmin}	кВт	0,000	0,000	0,000	0,000	0,000	0,000	0,000	0,000
В режиме готовности e_{sB}	кВт	0,000	0,000	0,000	0,000	0,000	0,000	0,000	0,000

Вид регулирования подачи тепла									
Ручное регулирование подачи тепла с помощью встроенного термостата		-	-	-	-	-	-	-	-
Ручное регулирование подачи тепла с учетом показателей температуры в помещении и/или наружной температуры		-	-	-	-	-	-	-	-
Электронное регулирование подачи тепла с учетом показателей температуры в помещении и/или наружной температуры		x	x	x	x	x	x	x	x
Теплоотдача с помощью вентилятора		x	x	x	x	x	x	x	x
Вид теплопроизводительности / контроль температуры в помещении									
Одноступенчатая теплопроизводительность, без контроля температуры в помещении		-	-	-	-	-	-	-	-
Две или более настраиваемые вручную ступени, без контроля температуры в помещении		-	-	-	-	-	-	-	-
Контроль температуры в помещении с механическим термостатом		-	-	-	-	-	-	-	-
С электронным контролем температуры в помещении		-	-	-	-	-	-	-	-
Электронный контроль температуры в помещении, с регулировкой по времени суток		-	-	-	-	-	-	-	-
Электронный контроль температуры в помещении, с регулировкой по дням недели		x	x	x	x	x	x	x	x
Другие параметры регулировки									
Контроль температуры в помещении, с обнаружением присутствия людей		-	-	-	-	-	-	-	-
Контроль температуры в помещении, с обнаружением открытых окон		x	x	x	x	x	x	x	x
С пультом дистанционного управления (дополнительная комплектация)		-	-	-	-	-	-	-	-
С адаптивной регулировкой начала нагрева		x	x	x	x	x	x	x	x
С ограничением времени работы		-	-	-	-	-	-	-	-
С датчиком движения		-	-	-	-	-	-	-	-

19.6 Таблица параметров

SHF | SHL

		SHF 2000	SHF 3000	SHF 4000	SHF 5000	SHF 6000	SHF 7000	SHL 3500	SHL 5000
		200175	200176	200177	200178	200179	200180	200304	200305
Электрические характеристики									
Потребляемая мощность	Вт	2000	3000	4000	5000	6000	7000	3500	5000
Номинальное напряжение	В	400	400	400	400	400	400	400	400
Фазы		3/N/PE	3/N/PE	3/N/PE	3/N/PE	3/N/PE	3/N/PE	3/N/PE	3/N/PE
Частота	Гц	50/-	50/-	50/-	50/-	50/-	50/-	50/-	50/-
Номинальная нагрузка	кВт*ч	16	24	32	40	48	56	28	40
Доп. электроннагреватель	кВт	0,35	0,50	0,80	1,00	1,20	1,50	1,00	1,50
Энергетические характеристики									
Годовая степень использования отопления помещения η_s	%	39,5	39,5	39,5	39,5	39,5	39,5	39,5	39,5
Размеры									
Высота	мм	650	650	650	650	650	650	490	490
Ширина	мм	605	780	955	1130	1305	1480	1130	1480
Глубина	мм	275	275	275	275	275	275	275	275
Вес									
Вес	кг	32	40	48	56	64	72	55	71
Вес (с камнями)	кг	118	169	220	271	322	373	189	259
Модификации									
Цвет		альпийский белый	альпийский белый	альпийский белый	альпийский белый	альпийский белый	альпийский белый	альпийский белый	альпийский белый
Параметры									
Снижение степени загрузки, 4-ступенчатое		100/90/80/70	100/90/80/70	100/90/80/70	100/90/80/70	100/90/80/70	100/90/80/70	100/90/80/70	100/90/80/70
Теплоизолирующая способность	%	47	52	55	56	59	60	49	50
Шум при работе	дБ(А)	30	32	33	34	34	34	34	35
Коммерческие характеристики									
Количество пакетов из камня		6	9	12	15	18	21	10	14

SHS

		SHS 1200	SHS 1800	SHS 2400	SHS 3000	SHS 3600	SHS 4200	SHS 4800
		200181	200182	200183	200184	200185	200186	200187
Электрические характеристики								
Потребляемая мощность	Вт	1200	1800	2400	3000	3600	4200	4800
Номинальное напряжение	В	400	400	400	400	400	400	400
Фазы		3/N/PE	3/N/PE	3/N/PE	3/N/PE	3/N/PE	3/N/PE	3/N/PE
Частота	Гц	50/-	50/-	50/-	50/-	50/-	50/-	50/-
Номинальная нагрузка	кВт*ч	9,6	14,4	19,2	24,0	28,8	33,6	38,4
Доп. электроннагреватель	кВт	0,35	0,50	0,80	1,00	1,20	1,50	1,70
Энергетические характеристики								
Годовая степень использования отопления помещения η_s	%	39,5	39,5	39,5	39,5	39,5	39,5	39,5
Размеры								
Высота	мм	546	546	546	546	546	546	546
Ширина	мм	580	741	902	1063	1224	1385	1546
Глубина	мм	218	218	218	218	218	218	218
Вес								
Вес	кг	24	30	37	43	50	57	63
Вес (с камнями)	кг	74	106	138	169	201	233	265
Модификации								
Цвет		альпийский белый	альпийский белый	альпийский белый	альпийский белый	альпийский белый	альпийский белый	альпийский белый
Параметры								
Снижение степени загрузки, 4-ступенчатое		100/90/80/70	100/90/80/70	100/90/80/70	100/90/80/70	100/90/80/70	100/90/80/70	100/90/80/70
Теплоизолирующая способность	%	39	44	46	48	49	51	51
Шум при работе	дБ(А)	29	28,5	31	32	32	32	32
Коммерческие характеристики								
Количество пакетов из камня		6	9	12	15	18	21	24

Серийный номер на шильдике прибора содержит дату изготовления прибора.

Серийный номер имеет следующую структуру: 6-значный артикул прибора - 4-значная дата производства- 6-значный порядковый номер.

4-значная дата производства расшифровывается так:

- Первые две цифры плюс 25 - это год изготовления прибора (2 цифры), то есть 94+25 -> для 2019, 93+25 -> для 2018 и так далее;
- Последние две цифры минус 25 -это календарная неделя изготовления прибора.

Например, 4-значная дата производства 9440 соответствует 15 неделе в 2019 году.

Изготовитель:

«Штибель Эльтрон ГмбХ & Ко. КГ»
Адрес: Др. -Штибель-Штрассе 33,
37603, Хольцминден, Германия
Тел. 05531 702-0 | Факс 05531 702-480
info@stiebel-eltron.de
www.stiebel-eltron.de

Сделано в Германии

Импортер в РФ:

ООО «Штибель Эльтрон»
Адрес: ул. Уржумская, д.4, стр. 2
129343, г. Москва, Россия
Тел. +7 495 125 0 125 | Факс: +7 495 775 38 87
info@stiebel-eltron.ru
www.stiebel-eltron.ru

Гарантия

Приборы, приобретенные за пределами Германии, не подпадают под условия гарантии немецких компаний. К тому же в странах, где продажу нашей продукции осуществляет одна из наших дочерних компаний, гарантия предоставляется исключительно этой дочерней компанией. Такая гарантия предоставляется только в случае, если дочерней компанией изданы собственные условия гарантии. За пределами этих условий никакая гарантия не предоставляется.

На приборы, приобретенные в странах, где ни одна из наших дочерних компаний не осуществляет продажу нашей продукции, никакие гарантии не распространяются. Это не затрагивает гарантий, которые могут предоставляться импортером.

Защита окружающей среды и утилизация

- ▶ Утилизацию использованных приборов и материалов следует производить в соответствии с правилами соответствующего государства.



- ▶ Если на приборе изображен перечеркнутый мусорный бак, сдавать такие приборы для утилизации и вторичной переработки необходимо в муниципальный пункт сбора или пункт приема в торговых предприятиях.



Этот документ напечатан на бумаге, подлежащей вторичной переработке.

- ▶ По окончании жизненного цикла прибора утилизируйте документ в соответствии с правилами соответствующего государства.

ДЛЯ ЗАМЕТОК

Comfort through Technology

STIEBEL ELTRON International GmbH

Dr.-Stiebel-Straße 33 | 37603 Holzminden | Germany
info@stiebel-eltron.com | www.stiebel-eltron.com



A 341228-46060-9977
B 341463-46060-9927